

LMHA NOLTEMEYER WYNDE SIDING REPLACEMENT

4500 NOLTEMEYER WYNDE COURT
LOUISVILLE KY. 40219
LMHA PROPOSAL NO: 1539

FOR THE:
LOUISVILLE METRO HOUSING AUTHORITY
420 SOUTH 8TH STREET
LOUISVILLE, KY 40203

SCB PROJECT NUMBER: 1966
FEBRUARY 9, 2021

INDEX TO DRAWINGS

S-1	GENERAL NOTES AND NOLTEMEYER WYNDE SITE KEY PLAN (WEST)
S-2	NOLTEMEYER WYNDE SITE KEY PLAN (EAST)
A-1	ONE STORY ELEVATIONS
A-2	TWO STORY ELEVATIONS
A-3	COMMUNITY BUILDING ELEVATIONS
A-4	DETAILS
P-1A	NOLTEMEYER WYNDE PHOTOS
P-1B	NOLTEMEYER WYNDE PHOTOS
P-1C	NOLTEMEYER WYNDE PHOTOS
P-1D	NOLTEMEYER WYNDE PHOTOS
P-1E	NOLTEMEYER WYNDE PHOTOS
P-1F	NOLTEMEYER WYNDE PHOTOS
ME-1	NOLTEMEYER WYNDE SITE KEY PLAN (WEST)
ME-2	NOLTEMEYER WYNDE SITE KEY PLAN (EAST)

BUILDING STATISTICS

CODE INFORMATION
CODE: 2018 KENTUCKY BUILDING CODE

EXISTING BUILDINGS

CONSTRUCTION TYPE: 5B

USE GROUP: R - RESIDENTIAL

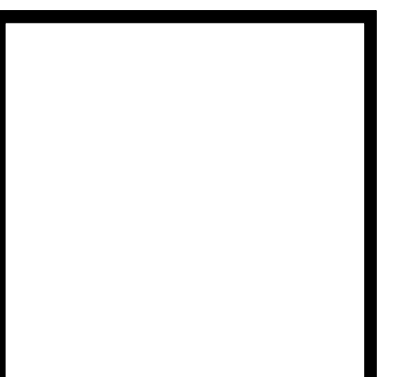
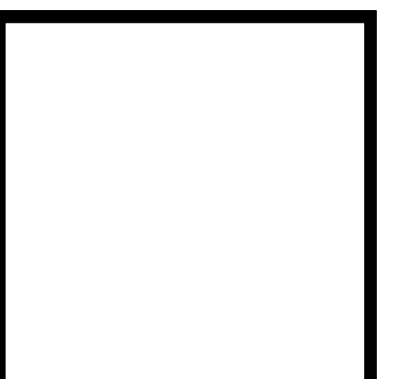
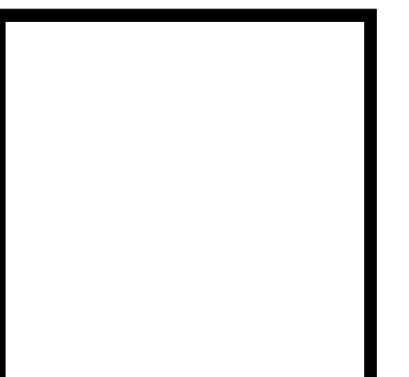
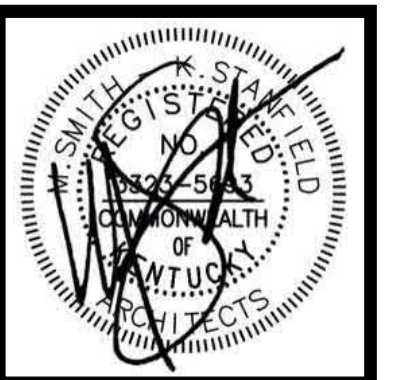
ENERGY CODE COMPLIANCE STATEMENT:
2012 IECC - EXISTING BUILDING. WORK INVOLVES EXTERIOR FINISH REPLACEMENT AND EXTERIOR MAINTENANCE. EXISTING SHEATHING TO REMAIN, WORK DOES NOT EXPOSE WALL CAVITIES 2012 IECC C101.4.3, EXC. 4

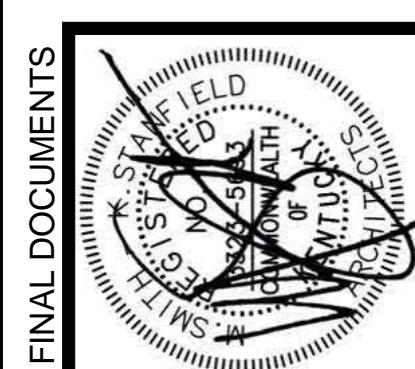
SITE AND BUILDING EXTERIOR SCOPE
OF WORK, REFER TO SHEET S-1



SHERMAN CARTER BARNHART
ARCHITECTS, PLLC
9300 SHELBYVILLE ROAD, SUITE 502
LOUISVILLE, KY 40222
PHONE: 502.721.6100
FAX: 502.721.6111
www.scbarchitects.com

LSE ENGINEERING INC.
1002 BUCKNER CENTER DRIVE
SUITE 5
LEGRANGE, KY 40031
PHONE: 502.584.8930
www.lse-engineering.com





FINAL DOCUMENTS

LMHA NOLTEMEYER WYNDE SIDING REPLACEMENT
 4500 NOLTEMEYER WYNDE COURT
 LOUISVILLE KY. 40219
 LMHA PROPOSAL NO. 1539

GENERAL NOTES AND NOLTEMEYER WYNDE SITE KEY PLAN (WEST)

JOB NO.	1966
DATE	Feb 9, 2021
DRAWN	AN, RTP
CHECKED	BKL

REVISIONS		
Type	No.	Date

COPYRIGHT © 2021 SHERMAN CARTER BARNHART ARCHITECTS, PLLC

SHEET

S-1

HAZARDOUS MATERIALS

HMN-1 THE CONTRACTOR IS HEREBY ADVISED THAT SHERMAN CARTER BARNHART ARCHITECTS, PLLC IS NOT A DESIGN PROFESSIONAL IN THE DETERMINATION OF THE PRESENCE OF HAZARDOUS MATERIALS, OR IN MAKING RECOMMENDATIONS REGARDING THE TESTING, REMOVAL, ENCAPSULATION OR OTHER CORRECTIVE MEASURES PERTAINING TO HAZARDOUS MATERIALS.

THERE ARE NO KNOWN HAZARDOUS MATERIALS REQUIRING ABATEMENT.

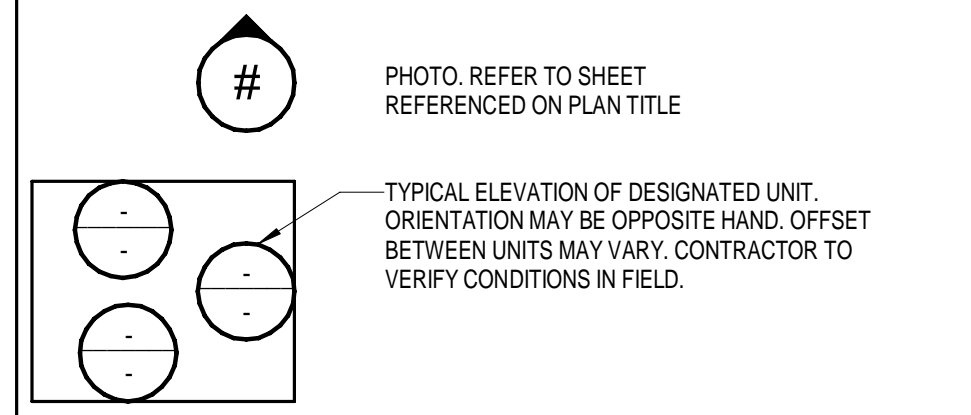
HMN-2 IF ANY CONSTRUCTION PERSONNEL ENCOUNTER ANY MATERIAL WHICH THEY SUSPECT MIGHT BE HAZARDOUS OR TOXIC, THEY SHALL STOP WORK IMMEDIATELY AND ADVISE THE OWNER. THE CONTRACTOR SHALL TAKE IMMEDIATE AND APPROPRIATE ACTION TO PROTECT BUILDING USERS AND WORKERS IN ACCORDANCE WITH ALL FEDERAL, STATE, AND LOCAL LAWS, CODES AND REGULATIONS. THE ARCHITECT SHALL HAVE NO RESPONSIBILITY FOR DISCOVERY, PRESENCE, HANDLING, REMOVAL OR DISPOSAL AND/OR EXPOSURE OF PERSONS TO ANY HAZARDOUS MATERIALS IN ANY FORM AT THE PROJECT SITE.

HMN-3 BY EXECUTION OF THE CONTRACT FOR CONSTRUCTION, THE CONTRACTOR HEREBY AGREES TO BRING NO CLAIM FOR NEGLIGENCE, BREACH OF CONTRACT, INDEMNITY OR OTHERWISE AGAINST THE ARCHITECT, HIS PRINCIPALS, EMPLOYEES, AGENTS, OR CONSULTANTS, IF SUCH A CLAIM IN ANY WAY WOULD INVOLVE THE INVESTIGATION OF OR REMEDIAL WORK RELATED TO HAZARDOUS MATERIALS ENCOUNTERED DURING THE PROJECT.

HMN-4 BY EXECUTION OF THE CONTRACT FOR CONSTRUCTION, THE CONTRACTOR AGREES TO DEFEND, INDEMNIFY AND HOLD THE ARCHITECT, HIS PRINCIPALS, EMPLOYEES, AGENTS AND CONSULTANTS HARMLESS FROM ANY SUCH HAZARDOUS MATERIALS RELATED CLAIMS THAT MAY BE BROUGHT BY THE CONTRACTORS, SUBCONTRACTORS, SUPPLIERS OR ANY THIRD PARTIES WHO MAY BE ACTING UNDER THE DIRECTION OF THE CONTRACTOR PURSUANT TO THIS PROJECT.

HMN-5 IF THE WORK WHICH IS TO BE PERFORMED UNDER THE CONTRACT INTERFACES IN ANY WAY WITH EXISTING COMPONENTS WHICH CONTAIN HAZARDOUS MATERIALS, IT IS THE CONTRACTOR'S RESPONSIBILITY TO CONTACT THE OWNER'S ENVIRONMENTAL CONSULTANT REGARDING THE PROPER MEANS AND METHODS TO BE UTILIZED IN DEALING WITH HAZARDOUS MATERIALS, IF NOT ADDRESSED IN THE SPECIFICATIONS.

SITE LEGEND



SITE SCOPE OF WORK

- TRIM ALL EXISTING TREES, SO THAT NO LIMB/ FOLIAGE IS WITHIN 5'-0" OF THE EXISTING BUILDINGS. EXISTING TREES NOT SHOWN, FIELD VERIFY.
- PROVIDE SEVENTY-FIVE (75) CUBIC YARDS OF TOPSOIL FOR FILL AROUND BUILDINGS IN THE FOLLOWING LOCATIONS: SPLASHBLOCKS (SEE NOTE BELOW), MECHANICAL UNITS ON CONCRETE PADS (SEE NOTE BELOW), AND AT AREAS THAT POND WATER. ALL EXCESS MATERIAL AT THE END OF THE PROJECT SHALL BE COORDINATED WITH AND DELIVERED TO THE OWNER.
- REGRADE AND TAMP SOIL, AND RESET ALL SPLASHBLOCKS TO PROVIDE POSITIVE DRAINAGE AWAY FROM THE BUILDINGS. PROVIDE SOD IN DISTURBED AREAS. REPLACE BROKEN AND MISSING SPLASHBLOCKS WITH CONCRETE SPLASHBLOCKS OF SIMILAR SIZE AND SHAPE. FIELD VERIFY.
- EXISTING MECHANICAL UNITS AND PADS TO REMAIN. LEVEL MECHANICAL UNITS AND CONCRETE PADS THAT ARE MORE THAN TWO (2) DEGREES OUT OF PLUMB. PROVIDE TOPSOIL UNDER EXISTING PADS (TAMPED) THAT HAVE BEEN UNDERMINED BY EROSION. FIELD VERIFY.
- RESTORE LAWN OVER FILL AREAS AND AREAS DISTURBED BY CONSTRUCTION ACTIVITIES WITH TOPSOIL SOD AND MAINTAIN UNTIL A LAWN HAS BEEN ESTABLISHED.

BUILDING EXTERIOR SCOPE OF WORK

- ITEMS BELOW ARE FURTHER CLARIFIED IN THE ELEVATION KEY NOTES, PHOTOS, OR IN DETAILS ON SHEET A-4
- PRESSURE WASH BRICK VENEER ON BUILDINGS.
 - TUCKPOINT BRICK ROWLOCK SILLS WHERE MORTAR IS MISSING OR DAMAGED.
 - REMOVE AND REPLACE VINYL SIDING WITH FIBER CEMENT SIDING.
 - REMOVE AND PROVIDE NEW BUILDING WRAP AT AREAS OF SIDING WHERE EXISTING BUILDING WRAP IS EXPOSED.
 - PROVIDE NEW BUILDING WRAP WHEN AREAS OF SIDING EXPOSE EXISTING BUILDING WRAP.
 - REMOVE AND REPLACE EXISTING FASCIA AND RAKES WITH FIBER CEMENT TRIM. PROVIDE 2X WOOD BACKUP AS NEEDED.
 - REMOVE AND REPLACE TRIM AROUND WINDOWS, DOORS, AT SOFFITS, BOTTOM FACE OF SECOND FLOOR AREAS, ETC. WITH FIBER CEMENT TRIM.
 - REPLACE GUTTERS AND DOWNSPOUTS.
 - EXISTING MECHANICAL UNITS ARE TO REMAIN. REPLACE REFRIGERANT LINES THAT ARE MOUNTED ON THE FACE OF SIDING AT TWO STORY UNITS.
 - REPLACE INSULATION JACKETS ON REFRIGERANT LINES EXPOSED ON THE EXTERIOR OF BUILDINGS AT ONE STORY UNITS AND SIDES OF TWO STORY BUILDINGS.
 - COORDINATE WITH CABLE, SATELITE, PHONE, (ETC.) PROVIDERS TO REWIRE SERVICE TO AVOID EXPOSURE ON EXTERIOR OF BUILDING. REMOVE UNUSED WIRING.
 - REMOVE EXISTING SCREEN WALLS FROM 1-STORY UNITS. PROVIDE NEW SCREEN WALLS AS DETAILED.
 - REMOVE AND REPLACE EXISTING INFILL PANELS IN BRICK VENEER WITH FIBER CEMENT.
 - REMOVE AND REPLACE EXISTING INFILL OR ACCENT PANELS AT SECOND FLOOR WINDOWS WITH FIBER CEMENT SIDING.

GENERAL NOTES

- INFORMATION SHOWN IN THESE CONTRACT DOCUMENTS HAVE BEEN OBTAINED FROM GENERAL FIELD OBSERVATIONS. THE INFORMATION IS INCLUDED HEREIN WITH THE INTENT TO PROVIDE THE CONTRACTOR WITH A BASIC UNDERSTANDING OF THE SCOPE OF WORK. ACTUAL CONDITIONS MAY VARY FROM THOSE SHOWN.
- THE CONTRACTOR SHALL FIELD VERIFY EXISTING DIMENSIONS, ELEVATIONS AND ALL CONDITIONS RELATED TO DEMOLITION AND NEW WORK.
- DO NOT SCALE DRAWINGS. WRITTEN DIMENSIONS TAKE PRECEDENCE OVER SCALED DIMENSIONS.
- (N.I.C.) MEANS NOT IN CONTRACT. TO BE PROVIDED BY OWNER AND INSTALLED BY OWNER.
- NO WORK SHALL COMMENCE UNTIL INSURANCE CERTIFICATES, SCHEDULE OF VALUES, CONSTRUCTION SCHEDULE, AND ADDITIONAL ITEMS AS REQUIRED BY THE CONTRACT DOCUMENTS HAVE BEEN RECEIVED AND APPROVED.
- THE BUILDINGS AND GROUNDS ARE OCCUPIED. DO NOT HINDER THE OCCUPANTS USE OF BUILDINGS OR SITE.
- SECURITY AND PROTECTION OF THE CONTRACTOR'S MATERIALS AND EQUIPMENT IS THE RESPONSIBILITY OF THE CONTRACTOR.
- STAGING AND STORAGE OF MATERIALS AND EQUIPMENT WILL BE COORDINATED BY THE OWNER WITH THE SUCCESSFUL BIDDER AND OWNER.
- THE CONTRACTOR SHALL BE RESPONSIBLE FOR ACQUIRING ANY NECESSARY PERMITS FROM ALL GOVERNING AGENCIES HAVING JURISDICTION. THE GENERAL CONTRACTOR SHALL BE RESPONSIBLE FOR OBTAINING AND THE COSTS OF ALL PERMITS AND FEES REQUIRED BY AUTHORITIES HAVING JURISDICTION OVER THE PROJECT.
- THE OWNER ASSUMES NO RESPONSIBILITY FOR THE CONDITION OF THE BUILDINGS, OR THE CONDITIONS OF THE AREAS IMMEDIATELY AROUND THE BUILDINGS.
- THE OWNER SHALL NOT BE RESPONSIBLE FOR VANDALISM OR THE CONDITION OF THE BUILDING AND SALVAGEABLE MATERIAL FROM THE TIME BIDS ARE SUBMITTED UNTIL THE AWARD OF THE CONTRACT.
- NOTIFY OWNER OF ANY UNFORESEEN DAMAGE.
- DOCUMENTATION AS REQUIRED BY SUCCESSFUL BIDDER. SHOW EXISTING CONDITIONS OF ADJOINING CONSTRUCTION AND SITE IMPROVEMENTS, INCLUDING FINISH SURFACES THAT MIGHT BE MISCONSTRUED AS DAMAGE CAUSED BY WORK. BY PHOTO DOCUMENTATION AND WRITTEN DOCUMENTATION. SUBMIT BEFORE THE WORK BEGINS. FAILURE TO PHOTO DOCUMENT EXISTING CONDITIONS MAY RESULT IN ASSIGNMENT OF DAMAGE AND RESPONSIBILITY OF REPAIRS TO CONTRACTOR.
- PROVIDE NECESSARY PRECAUTIONS TO AVOID DAMAGE TO EXISTING ADJACENT SURFACES. ANY DAMAGED ITEMS SHALL BE REPAIRED OR REPLACED AT NO ADDITIONAL COST TO THE OWNER.
- CONTRACTOR SHALL BE RESPONSIBLE FOR PROTECTING ALL EXISTING IN PLACE CONSTRUCTION AND ITEMS TO REMAIN DURING WORK. ANY ITEM DAMAGED OR DISTURBED SHALL BE REPLACED AND/OR RESTORED, AT THE CONTRACTOR'S EXPENSE, TO A "LIKE NEW" CONDITION.
- ANY DAMAGE TO EXISTING CURBS, SIDEWALKS, PAVING, ETC., DUE TO WORK ACTIVITY, SHALL BE THE RESPONSIBILITY OF THE CONTRACTOR. REFER TO GENERAL NOTE ABOVE.
- ACCESS AROUND THE BUILDING MAY BE INHIBITED BY LANDSCAPING, TREES, ETC. FIELD VERIFY. CONTRACTOR SHALL INCLUDE ALL COST REQUIRED TO FACILITATE WORK IN THEIR BID TO RESTRAIN OR TRIM LANDSCAPING. CONTRACTOR TO IDENTIFY LOCATIONS OF NECESSARY LANDSCAPE TRIMMING FOR APPROVAL BY THE OWNER.
- DO NOT CLOSE OR OBSTRUCT STREETS, WALKS, WALKWAYS, OR OTHER ADJACENT OCCUPIED OR USED FACILITIES WITHOUT PERMISSION FROM OWNER AND AUTHORITIES HAVING JURISDICTION. PROVIDE ALTERNATE ROUTES AROUND CLOSED OR OBSTRUCTED TRAFFIC WAYS IF REQUIRED BY AUTHORITIES HAVING JURISDICTION.
- ALL P.T. WOOD SHALL BE SEPARATED FROM CONTACT WITH ANY METAL COMPONENTS WITH SELF ADHERING ELASTOMERIC MEMBRANE FLASHING OR OTHER SIMILAR PERMANENT MEANS.
- ALL ANCHORS AND FASTENERS IN CONTACT WITH P.T. WOOD SHALL BE STAINLESS STEEL OR G90 HOT DIPPED GALVANIZED, MIN.
- CONTACT BETWEEN DISSIMILAR METALS SHALL BE SEPARATED WITH BUTYL TAPE.
- WORK TO BE PHASED TO MINIMIZE INTERRUPTION OF TENANTS. ONLY REMOVE MATERIALS CORRESPONDING TO NEW FINISHES THAT MAT BE INSTALLED IN A WORK DAY.
- CONTRACTOR TO PROVIDE TEMPORARY SHELTER AS NECESSARY TO MAINTAIN WATER TIGHT BUILDING ENVELOPE.
- TEMPORARY PROTECTION: ERECT TEMPORARY PROTECTION, SUCH AS WALKS, FENCES, RAILINGS, CANOPIES, AND COVERED PASSAGEWAYS, WHERE REQUIRED BY AUTHORITIES HAVING JURISDICTION.
 - PROTECT ADJACENT BUILDINGS AND FACILITIES FROM DAMAGE DUE TO WORK ACTIVITIES.
 - PROTECT EXISTING ELEMENTS TO REMAIN.
 - PROVIDE TEMPORARY BARRICADES AND OTHER PROTECTION REQUIRED TO PREVENT INJURY TO PEOPLE AND DAMAGED ADJACENT BUILDINGS AND FACILITIES TO REMAIN.
 - PROVIDE PROTECTION TO ENSURE SAFE PASSAGE OF PEOPLE AROUND BUILDING DEMOLITION AREA AND TO AND FROM OCCUPIED PORTIONS OF ADJACENT BUILDINGS AND STRUCTURES.
- REMOVE TEMPORARY BARRIERS AND PROTECTIONS WHEN HAZARDS NO LONGER EXIST

JOB SITE SAFETY

- THE CONTRACTOR IS SOLELY RESPONSIBLE FOR JOB SITE SAFETY DURING CONSTRUCTION. JOB SITE SAFETY IS OUTSIDE THE SCOPE OF WORK OF SHERMAN CARTER BARNHART, PLLC (SCB). NEITHER THE PROFESSIONAL ACTIVITIES OR THE PRESENCE OF SCB EMPLOYEES OR SUBCONSULTANTS AT THE CONSTRUCTION SITE SHALL RELIEVE THE CONTRACTOR OR ANY OTHER ENTITY OF THEIR OBLIGATION, DUTIES, AND RESPONSIBILITIES INCLUDING, BUT NOT LIMITED TO, CONSTRUCTION MEANS, METHODS, SEQUENCES, TECHNIQUES, TO PROCEDURES NECESSARY FOR PERFORMING SUPERINTENDING OR COORDINATING ALL PORTIONS OF THE WORK OF CONSTRUCTION IN ACCORDANCE WITH THE CONTRACT DOCUMENTS AND ANY HEALTH AND SAFETY PRECAUTIONS REQUIRED BY GOOD CONSTRUCTION PRACTICES OR ANY REGULATORY AGENCIES. ANYONE USING INFORMATION FROM THESE PLANS ACKNOWLEDGES AND WARRANTS THAT SHERMAN CARTER BARNHART, PLLC IS NOT RESPONSIBLE FOR SITE SAFETY IN ANY WAY.
- THE CONTRACTOR IS SOLELY RESPONSIBLE FOR ALL SAFETY REGULATIONS, PROGRAMS AND PRECAUTIONS RELATED TO ALL WORK ON THIS PROJECT.

SIGNAGE

REMOVE EXISTING UNIT AND BUILDING IDENTIFICATION SIGNAGE. PROVIDE NEW UNIT AND BUILDING IDENTIFICATION SIGNAGE AS FOLLOWS:

- PROVIDE IN BID THE AMOUNT OF \$16,000 AT NOLTEMEYER WYNDE SITE.

ALL OTHER BUILDING SIGNAGE SHALL REMAIN IN PLACE ON BRICK VENEER. SIGNAGE ON SURFACE TO BE REPLACED SHALL BE REMOVED, STORED, AND REPLACED OVER NEW SURFACE.

EXTRA MATERIAL

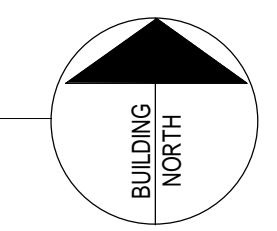
CONTRACTOR TO INSPECT EXISTING WALL SHEATHING AFTER REMOVAL OF EXISTING SIDING AND BUILDING WRAP. REPLACE SHEATHING THAT HAS BEEN DAMAGED DUE TO FIRE, ROT, RODENT OR INSECT INFESTATION. INCLUDE IN THE BID THE FOLLOWING NUMBER OF SHEETS OF 4'-0" X 8'-0" WALL SHEATHING FOR REPLACEMENT AT THESE SITES:

- PROVIDE 60 SHEETS AT NOLTEMEYER WYNDE.

EXTRA MATERIAL NOT USED SHALL BE RETURNED TO THE OWNER AT THE END OF CONSTRUCTION.



PHOTOS REFERENCED ON THE NOLTEMEYER WYNDE COMPLEX APARTMENTS SITE KEY PLAN (WEST) ARE LOCATED ON SHEETS P-1A THROUGH P-1F



NOLTEMEYER WYNDE COMPLEX APARTMENTS SITE KEY PLAN (WEST)

NOT TO SCALE

JOB NO.	1966
DATE	Feb 9, 2021
DRAWN	AN, RTP
CHECKED	BKL
COPYRIGHT © 2021 SHERMAN CARTER BARNHART ARCHITECTS, PLLC	

REVISIONS		
Type	No.	Date

SITE LEGEND

PHOTO, REFER TO SHEET REFERENCED ON PLAN TITLE

TYPICAL ELEVATION OF DESIGNATED UNIT. ORIENTATION MAY BE OPPOSITE HAND, OFFSET BETWEEN UNITS MAY VARY. CONTRACTOR TO VERIFY CONDITIONS IN FIELD.

SITE SCOPE OF WORK

- TRIM ALL EXISTING TREES, SO THAT NO LIMB/ FOLIAGE IS WITHIN 5'-0" OF THE EXISTING BUILDINGS. EXISTING TREES NOT SHOWN, FIELD VERIFY.
- PROVIDE SEVENTY-FIVE (75) CUBIC YARDS OF TOPSOIL FOR FILL AROUND BUILDINGS IN THE FOLLOWING LOCATIONS: SPLASHBLOCKS (SEE NOTE BELOW), MECHANICAL UNITS ON CONCRETE PADS (SEE NOTE BELOW), AND AT AREAS THAT POND WATER. ALL EXCESS MATERIAL AT THE END OF THE PROJECT SHALL BE COORDINATED WITH AND DELIVERED TO THE OWNER.
- REGRADE AND TAMP SOIL, AND RESET ALL SPLASHBLOCKS TO PROVIDE POSITIVE DRAINAGE AWAY FROM THE BUILDINGS. PROVIDE SOD IN DISTURBED AREAS. REPLACE BROKEN AND MISSING SPLASHBLOCKS WITH CONCRETE SPLASHBLOCKS OF SIMILAR SIZE AND SHAPE. FIELD VERIFY.
- EXISTING MECHANICAL UNITS AND PADS TO REMAIN. LEVEL MECHANICAL UNITS AND CONCRETE PADS THAT ARE MORE THAN TWO (2) DEGREES OUT OF PLUMB. PROVIDE TOPSOIL UNDER EXISTING PADS (TAMPED) THAT HAVE BEEN UNDERMINED BY EROSION. FIELD VERIFY.
- RESTORE LAWN OVER FILL AREAS AND AREAS DISTURBED BY CONSTRUCTION ACTIVITIES WITH TOPSOIL, SOD AND MAINTAIN UNTIL A LAWN HAS BEEN ESTABLISHED.

REFER TO SHEET S-1 FOR CONTINUATION

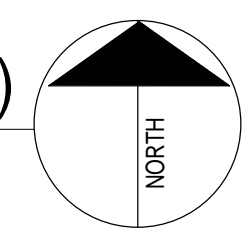
REFER TO SHEET S-1 FOR CONTINUATION

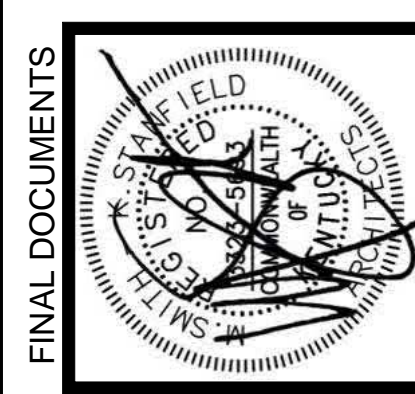


PHOTOS REFERENCED ON THE NOLTEMEYER WYNDE COMPLEX APARTMENTS SITE KEY PLAN (EAST) ARE LOCATED ON SHEETS P-1A THROUGH P-1F

NOLTEMEYER WYNDE COMPLEX APARTMENTS SITE KEY PLAN (EAST)

NOT TO SCALE





FINAL DOCUMENTS

LMHA NOLTEMEYER WYNDE
SIDING REPLACEMENT
4500 NOLTEMEYER WYNDE COURT
LOUISVILLE KY. 40219
LMHA PROPOSAL NO. 1539

ONE STORY ELEVATIONS

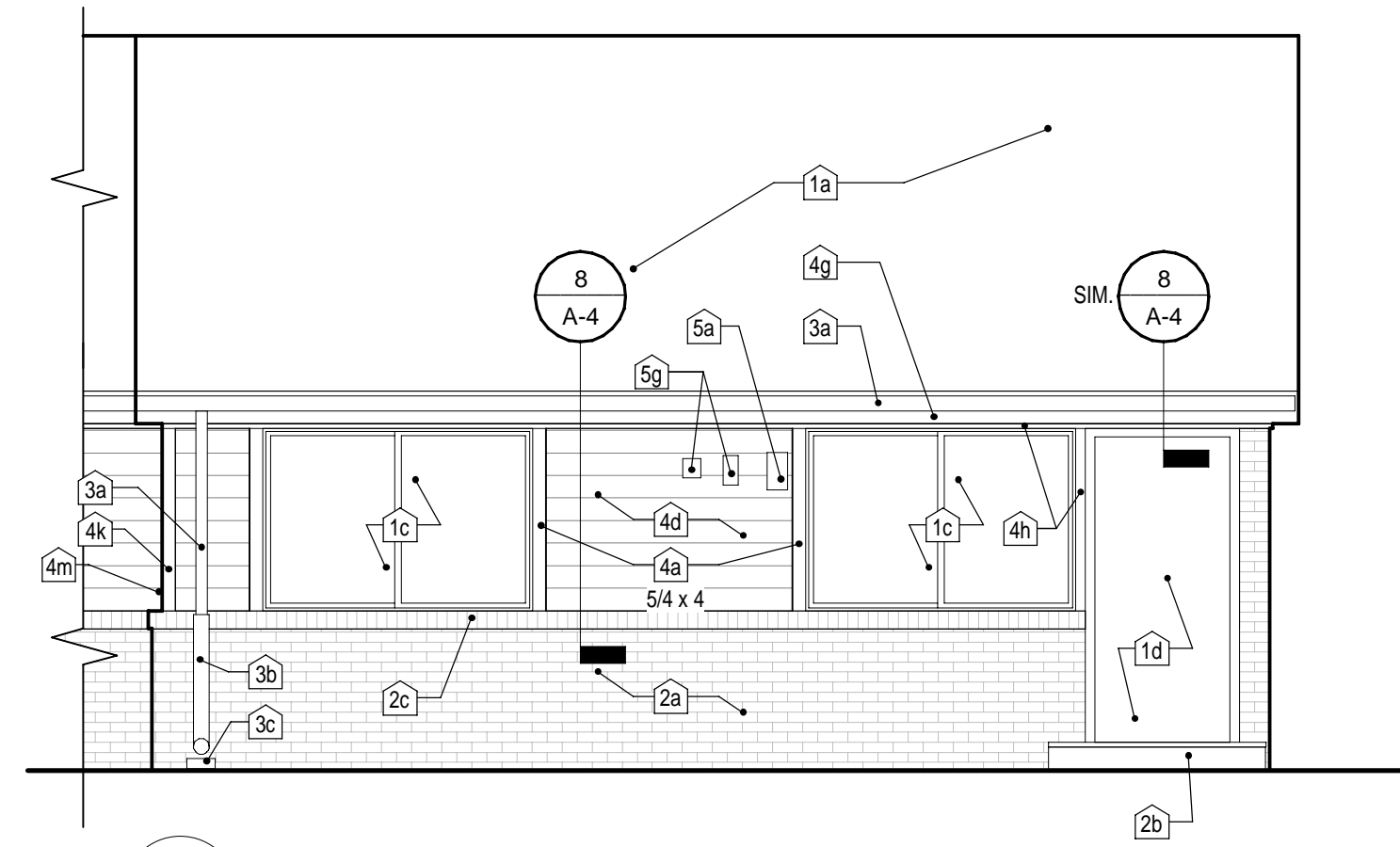
JOB NO. 1966
DATE Feb 9, 2021
DRAWN RTP
CHECKED BKL

COPYRIGHT © 2021
SHERMAN CARTER BARNHART
ARCHITECTS, PLLC

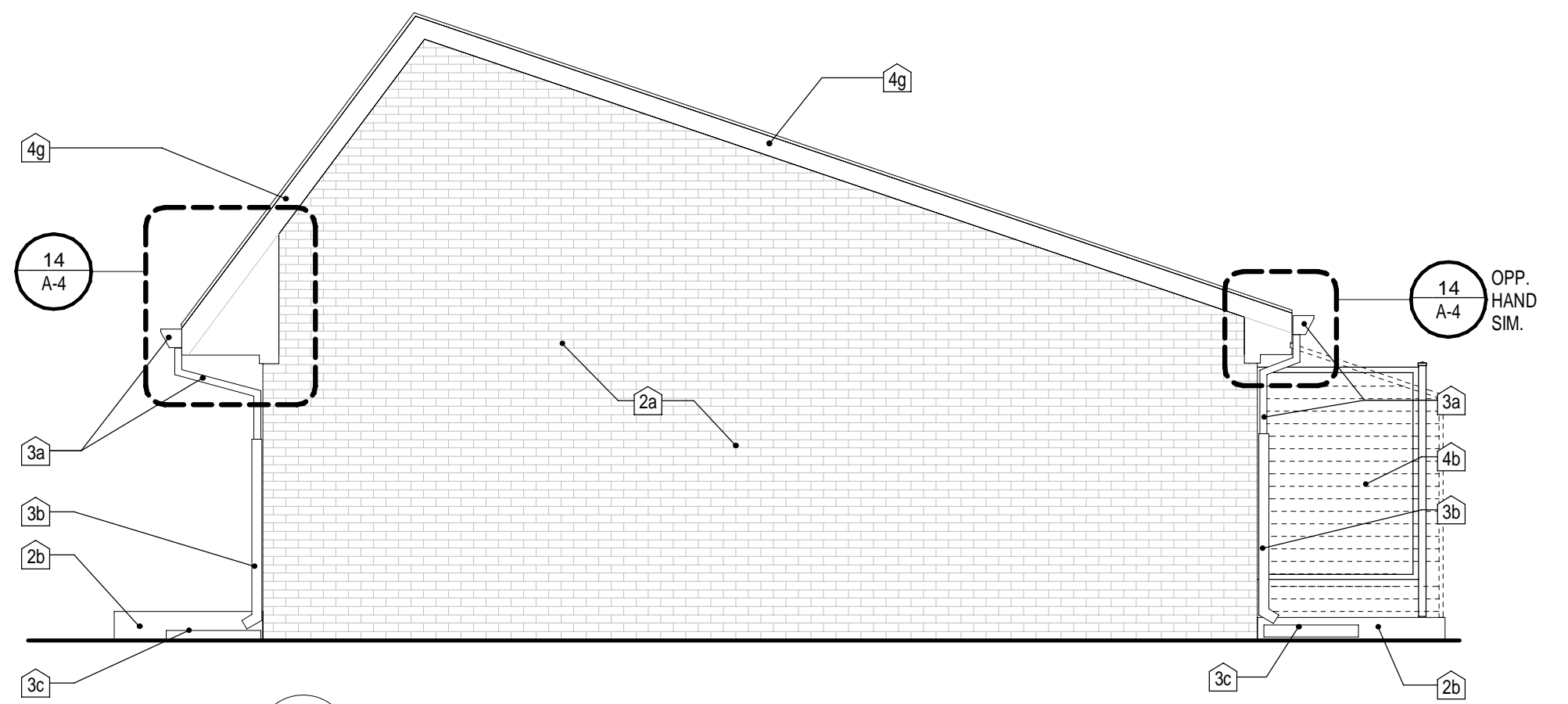
REVISIONS		
Type	No.	Date

SHEET

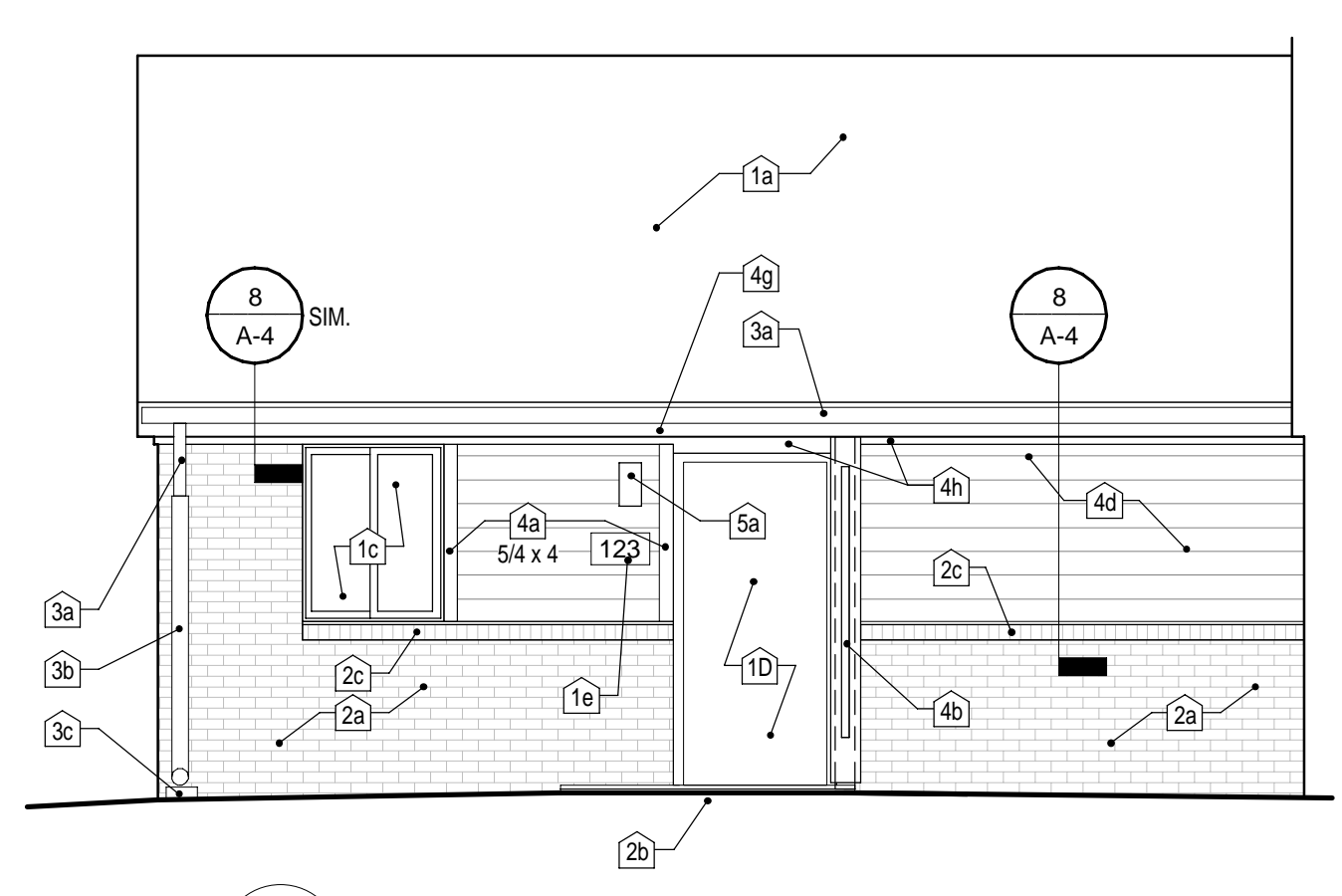
A-1



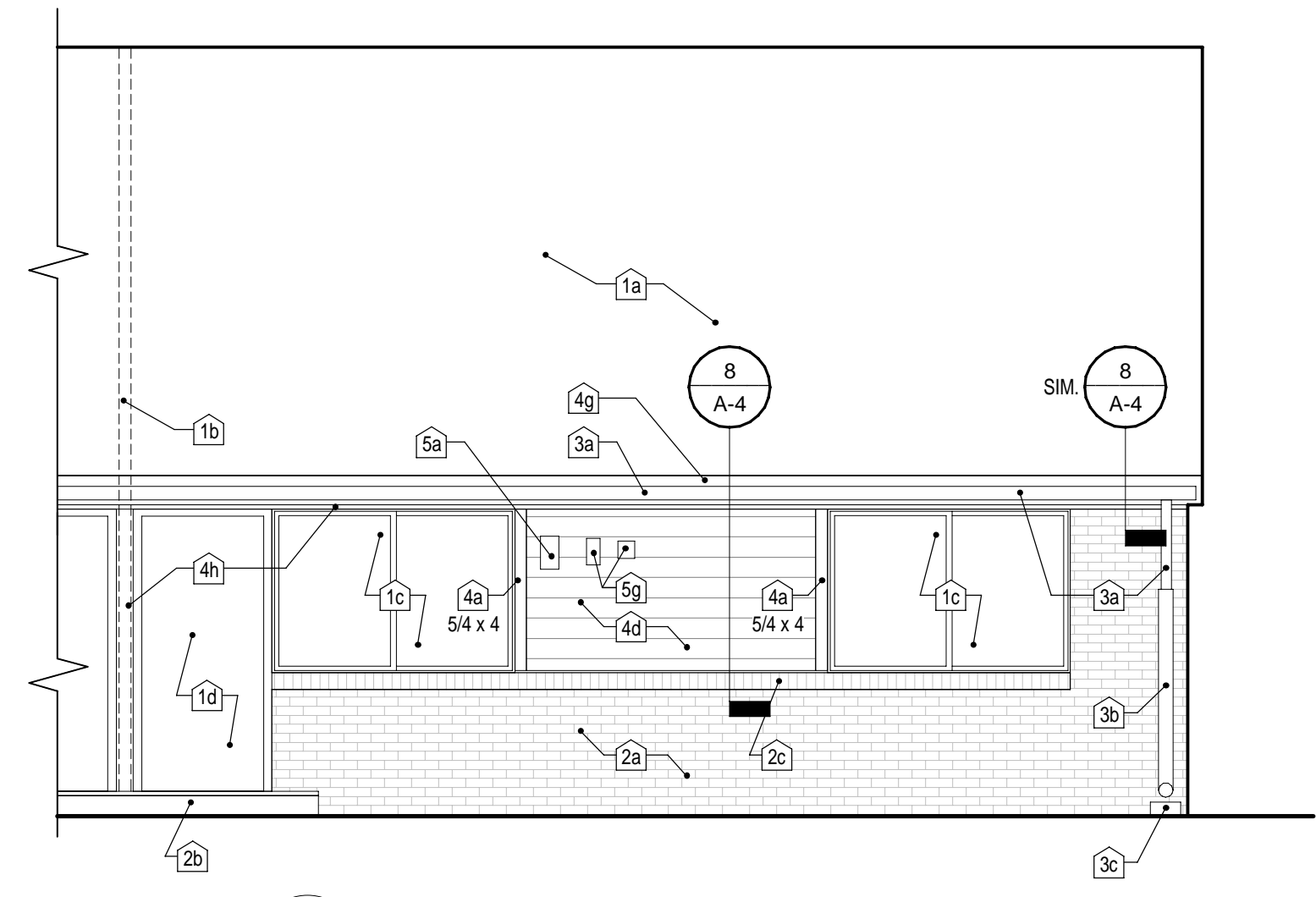
3 1BR REAR ELEVATION
1/4" = 1'-0"



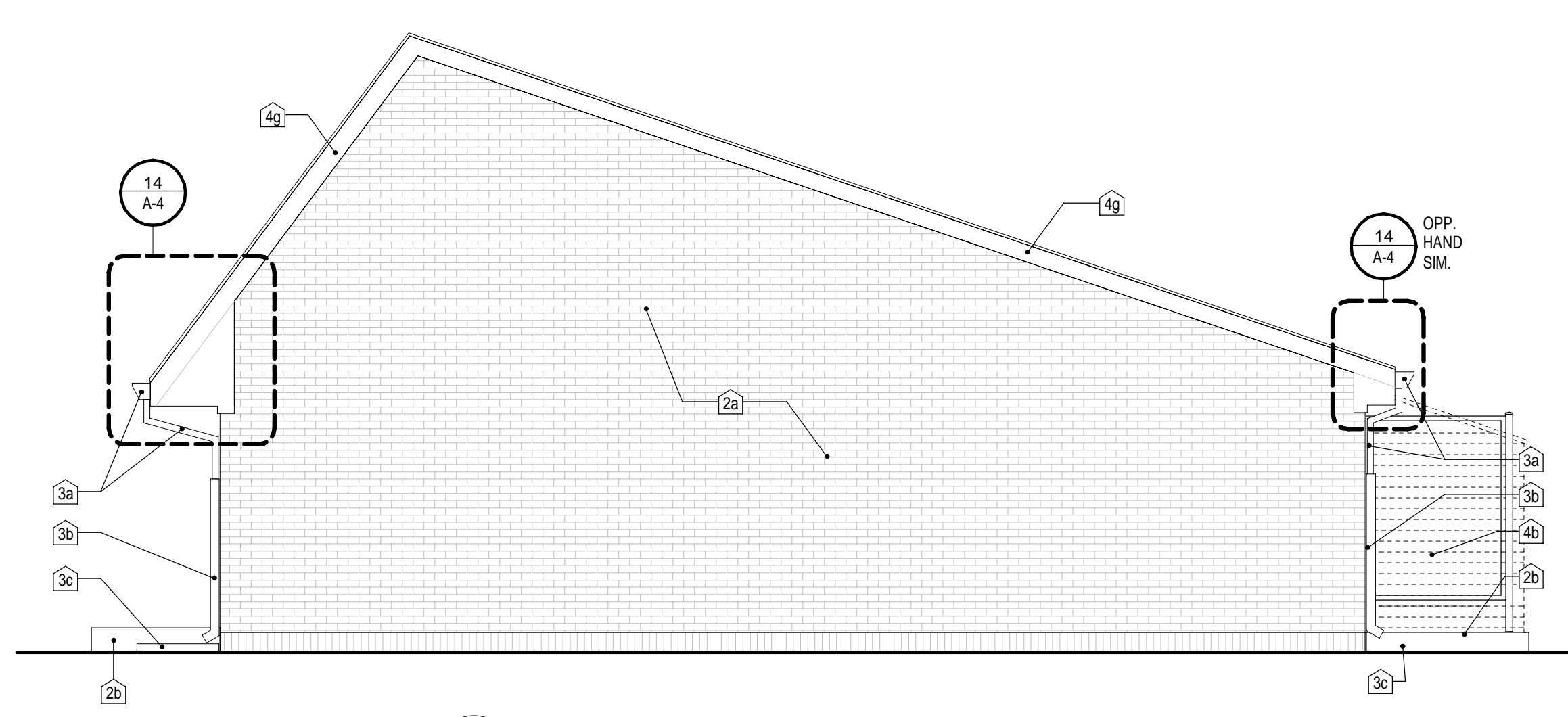
2 1BR SIDE ELEVATION
1/4" = 1'-0"



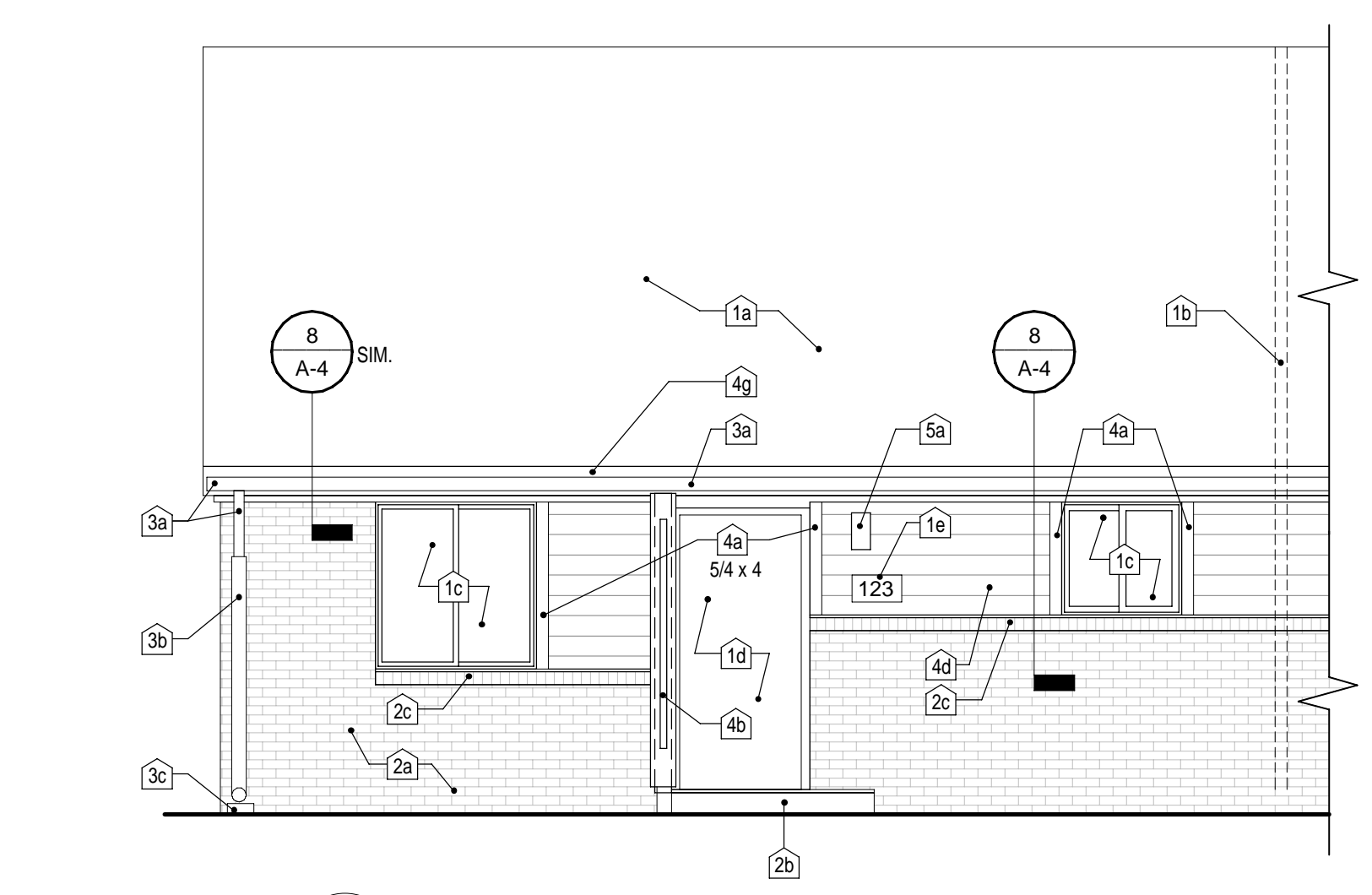
1 1BR FRONT ELEVATION
1/4" = 1'-0"



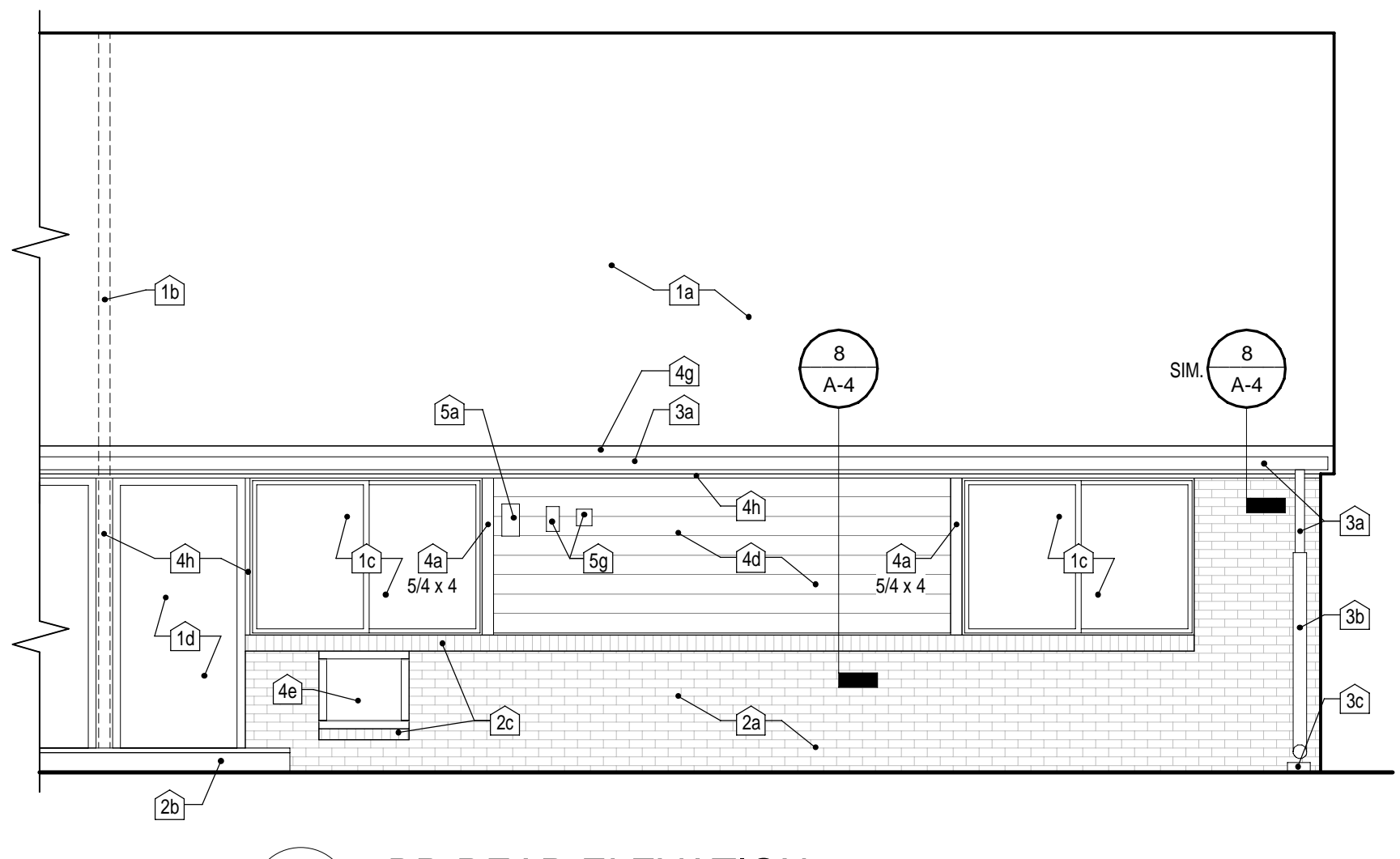
6 2BR REAR ELEVATION
1/4" = 1'-0"



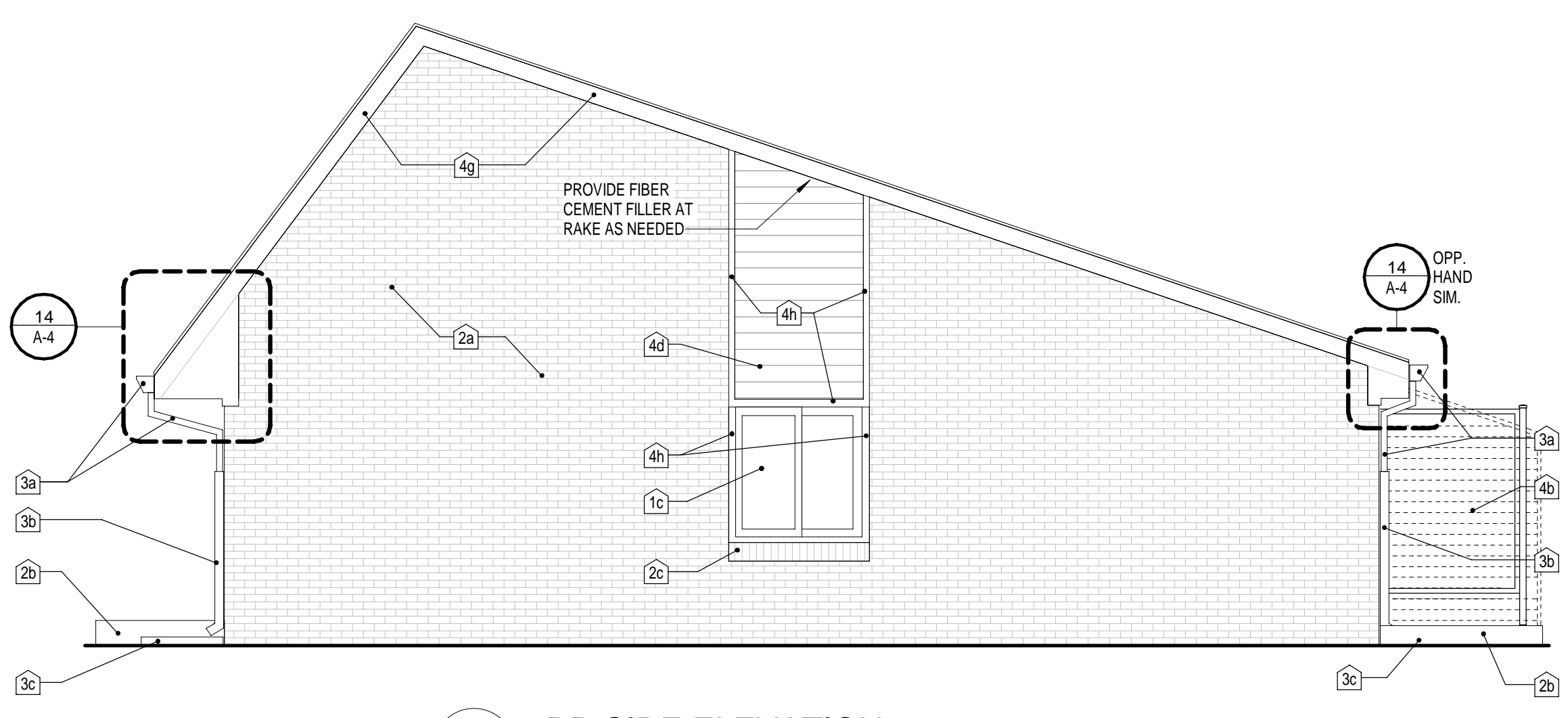
5 2BR SIDE ELEVATION
1/4" = 1'-0"



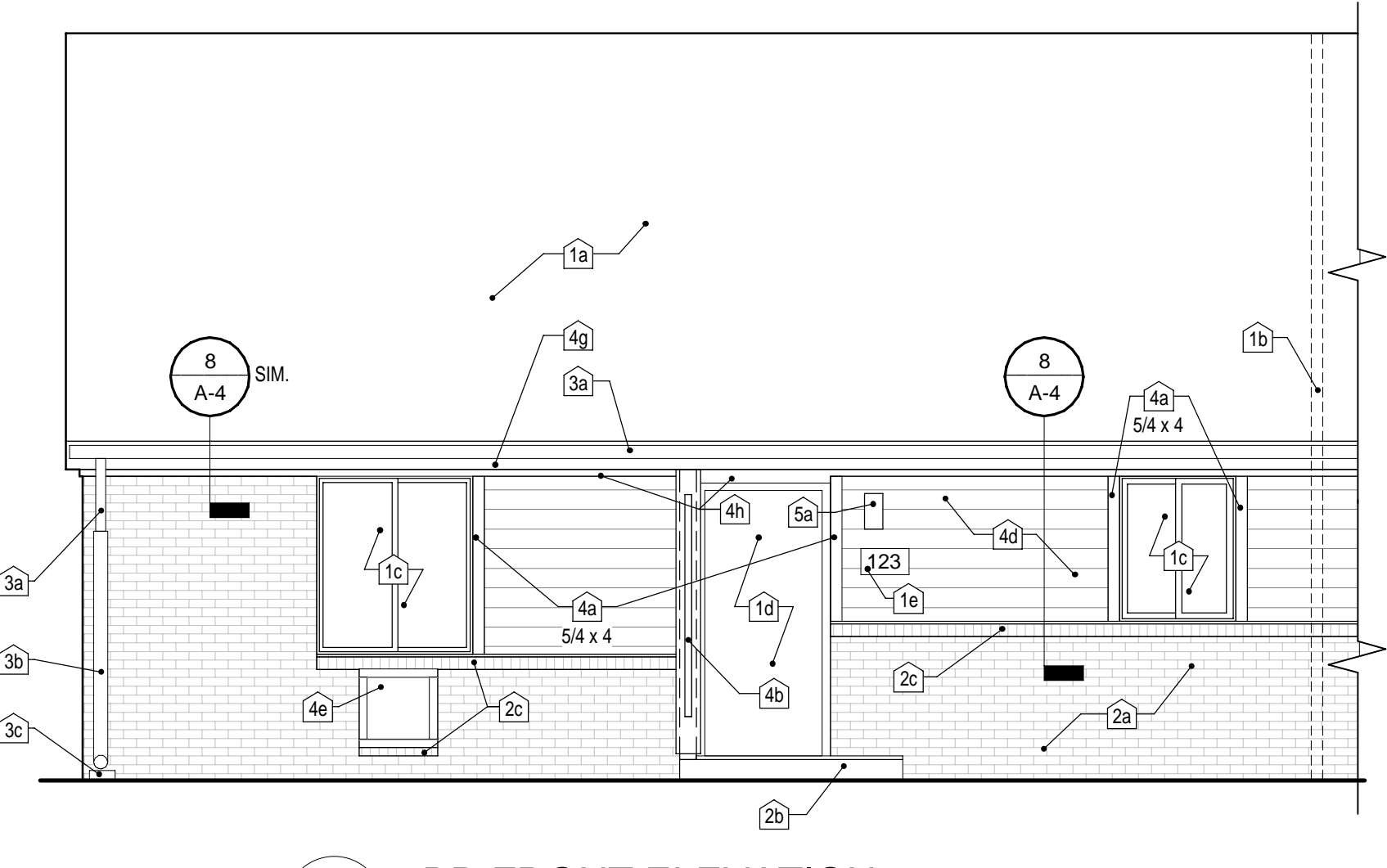
4 2BR FRONT ELEVATION
1/4" = 1'-0"



9 3BR REAR ELEVATION
1/4" = 1'-0"



8 3BR SIDE ELEVATION
1/4" = 1'-0"



7 3BR FRONT ELEVATION
1/4" = 1'-0"

GENERAL ELEVATION NOTES

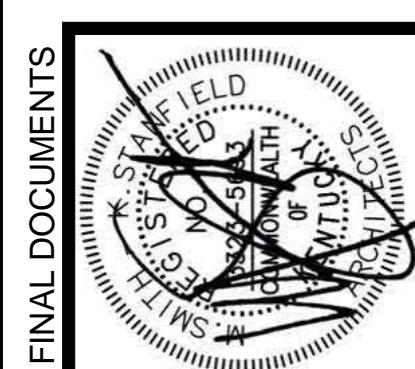
- A. ELEVATIONS ARE INCLUDED FOR GENERAL INFORMATION ONLY. EXACT CONDITIONS WILL VARY. REFER TO PHOTOS. SOME ELEVATIONS MAY BE SHOWN OPPOSITE HAND. CONTRACTOR TO CONFIRM CONDITIONS, PLACEMENTS AND APPLIED FIXTURES/ UTILITIES IN FIELD.
- B. EXISTING UTILITY ITEMS (GAS METERS, PIPING, PANEL BOXES, CONDUIT, COMPRESSORS, DISCONNECT BOXES, HOSE BIBS, ETC.) ARE NOT INDICATED IN ALL PLACES ON THE DRAWINGS. CONTRACTOR TO CONFIRM LOCATIONS IN THE FIELD AND COORDINATE WORK/ INSTALLATION AS NECESSARY.
- C. REFER TO GENERAL NOTES ON SHEET S-1 FOR NOTES ON SIGNAGE AND ADDITIONAL WALL SHEATHING.
- D. FIBER CEMENT TRIM SIZES ARE GIVEN IN NOMINAL DIMENSIONS.
- E. EXISTING STORM DOORS (NOT SHOWN IN ELEVATIONS) SHALL REMAIN IN PLACE. PROTECT DURING CONSTRUCTION. REFER TO DETAIL 13/A-4 FOR NEW FLASHING OVER EXISTING DOORS AT NEW SIDING.
- F. REFER TO DETAIL 5/A-4 FOR TYPICAL CONSTRUCTION OF WINDOW JAMB TRIM AT WINDOWS FIRST AND SECOND FLOOR. SILL SIM AT SECOND FLOOR.
- G. REFER TO TYPICAL FIBER CEMENT NOTES ON SHEET A-4 FOR FLASHING AT FIBER CEMENT TRIM PIECES

ELEVATION AND PHOTO DEMOLITION AND NEW WORK KEY NOTES

- GENERAL:**
- 1a EXISTING ROOFING TO REMAIN. PROTECT, TYP.
 - 1b INTERIOR WALL SEPARATING UNITS SHOWN DASHED FOR REFERENCE, TYP.
 - 1c EXISTING WINDOW TO REMAIN. PROTECT, TYP. REMOVE EXISTING SEALANT AND PROVIDE NEW SEALANT AT PERIMETER OF WINDOW AND AT NEW TRIM.
 - 1d EXISTING DOOR AND FRAME TO REMAIN. PROTECT, TYP.
 - 1e SIGNAGE, REFER TO GENERAL NOTE C (THIS SHEET)
- MASONRY:**
- 2a EXISTING BRICK TO REMAIN. PROTECT, TYP.
 - 2b EXISTING CONCRETE STOOP TO REMAIN. PROTECT. REFER TO KEYNOTE 4b WHERE REQUIRED.
 - 2c EXISTING BRICK ROWLOCK SILL TO REMAIN, REPAIR / TUCKPOINT AS REQUIRED.
- DRAINAGE AND GRADE:**
- 3a EXISTING GUTTERS AND DOWNSPOUTS TO BE REMOVED. CAST IRON BOOTS AND/ OR PVC EXTENSIONS TO REMAIN. PROVIDE NEW ALUMINUM GUTTERS AND DOWNSPOUTS TO MATCH EXISTING SIZE. COLOR TO BE SELECTED BY OWNER. INSTALL DOWNSPOUTS IN SAME LOCATIONS AND CONNECT TO EXISTING CAST IRON AND/ OR PVC.
 - 3b STRAIGHTEN EXISTING PVC EXTENSIONS AND/ OR CAST IRON DOWNSPOUT BOOTS.
 - 3c EXISTING CONCRETE SPLASHBLOCKS TO REMAIN. PROVIDE NEW WHERE MISSING. REFER TO SITE NOTES
- TRIM AND SIDING:**
- 4a NEW FIBER CEMENT TRIM BOARD. SIZE SHOWN. PAINT.
 - 4b REMOVE EXISTING SCREEN WALL. PROVIDE NEW SCREEN PER DETAIL 1/A-4 PATCH HOLES IN CONCRETE STOOP WITH EPOXY REPAIR MORTAR, TYP.
 - 4c REMOVE EXISTING SOFFIT AND EDGE TRIM. PROVIDE NEW PERFORATED FIBER CEMENT SOFFIT WITH SEALANT AT PERIMETER.
 - 4d REMOVE EXISTING SIDING AND BUILDING WRAP. PROVIDE NEW BUILDING WRAP TAPE / CAULK FULL PERIMETER OF ALL EXISTING OPENINGS. PROVIDE BUILDING WRAP FLASHING AT PERIMETER OF ALL EXISTING OPENINGS PER MANUFACTURER'S PRINTED INSTRUCTIONS. REPAIR ANY TEARS / PUNCTURES PRIOR TO OR DURING SIDING INSTALLATION. PROVIDE NEW VINYL SIDING (PREFINISHED FIBER CEMENT SIDING AT NORBROOK SITE) PER MANUFACTURER'S PRINTED INSTRUCTIONS.
 - 4e REMOVE EXISTING INFILL PANEL REPLACE PER DETAIL 9/A-4
 - 4f REMOVE EXISTING CORNER TRIM. PROVIDE NEW FIBER CEMENT CORNER TRIM. PAINT. REFER TO DETAIL 6/A-4
 - 4g REMOVE EXISTING FASCIA AND RAKES AND ASSOCIATED CLADDING. PROVIDE NEW 4/4 FIBER CEMENT FASCIA AND RAKES. MATCH EXISTING SIZE. PAINT
 - 4h REMOVE EXISTING TRIM. REPLACE WITH NEW FIBER CEMENT BOARD TRIM, MATCH SIZE. PAINT.
 - 4i NOT USED
 - 4j REMOVE EXISTING INSIDE CORNER TRIM. PROVIDE NEW FIBER CEMENT INSIDE CORNER TRIM. PAINT. REFER TO DETAIL 7/A-4
 - 4k REMOVE EXISTING TRIM AT BRICK VENEER. PROVIDE NEW FIBER CEMENT TRIM. PAINT. REFER TO DETAIL 4/A-4
 - 4l REMOVE EXISTING VERTICAL VINYL SIDING. PROVIDE NEW FIBER CEMENT WALL PANEL (SMOOTH FINISH). PAINT, WITH FRY REGLET J CHANNEL (BASIS OF DESIGN) AT PERIMETER AND SEALANT.

NOTE: ALL NOTES MAY NOT BE USED ON THIS SHEET.

- UTILITIES:**
- 5a REMOVE EXISTING LIGHT FIXTURE AND REPLACE WITH NEW. CONTRACTOR TO CONFIRM PROPER OPERATION. REFER TO M-E DRAWINGS. PROVIDE FIBER CEMENT BACKING PLATE.
 - 5b REFRIGERANT PIPING TO BE REPLACED. REFER TO MECHANICAL. INSTALLATION OF NEW HORIZONTAL INSULATED REFRIGERANT PIPING TO BE CONCEALED WITHIN EXISTING SOFFIT. REFER TO DETAIL 11/A-4. LOCATION OF REFRIGERANT PIPING VARIES, CONFIRM IN FIELD.
 - 5c NOT USED
 - 5d EXISTING REFRIGERANT PIPING TO REMAIN. LOOSEN FROM FACE OF BUILDING FOR REPLACEMENT OF SIDING AND BUILDING WRAP. REPLACE INSULATION JACKET ON REFRIGERANT PIPING AND PROVIDE BRACKETS AS REQUIRED FOR REATTACHMENT.
 - 5e REMOVE AND REPLACE EXISTING MECHANICAL LOUVER WITH NEW PRE-FINISHED LOUVER TO MATCH DIMENSIONS, PROFILE AND FUNCTION OF EXISTING.
 - 5f EXISTING UTILITIES TO REMAIN.
 - 5g REMOVE EXISTING AUDIO/VISUAL ALARM AND REPLACE WITH NEW AUDIO/VISUAL ALARM. REFER TO M-E DRAWINGS. PROVIDE FIBER CEMENT MOUNTING BLOCK.
 - 5h CONTRACTOR TO COORDINATE WITH CABLE, SATELITE, PHONE, (ETC.) PROVIDERS TO REWIRE SERVICE TO AVOID EXPOSURE ON EXTERIOR OF BUILDING. REMOVE UNUSED WIRING.
 - 5j REMOVE EXISTING AND PROVIDE NEW SOFFIT VENT FROM EXHAUST FAN OR OTHER DEVICE.



FINAL DOCUMENTS

LMHA NOLTEMEYER WYNDE SIDING REPLACEMENT
 4500 NOLTEMEYER WYNDE COURT
 LOUISVILLE KY. 40219
 LMHA PROPOSAL NO. 1539

TWO STORY ELEVATIONS

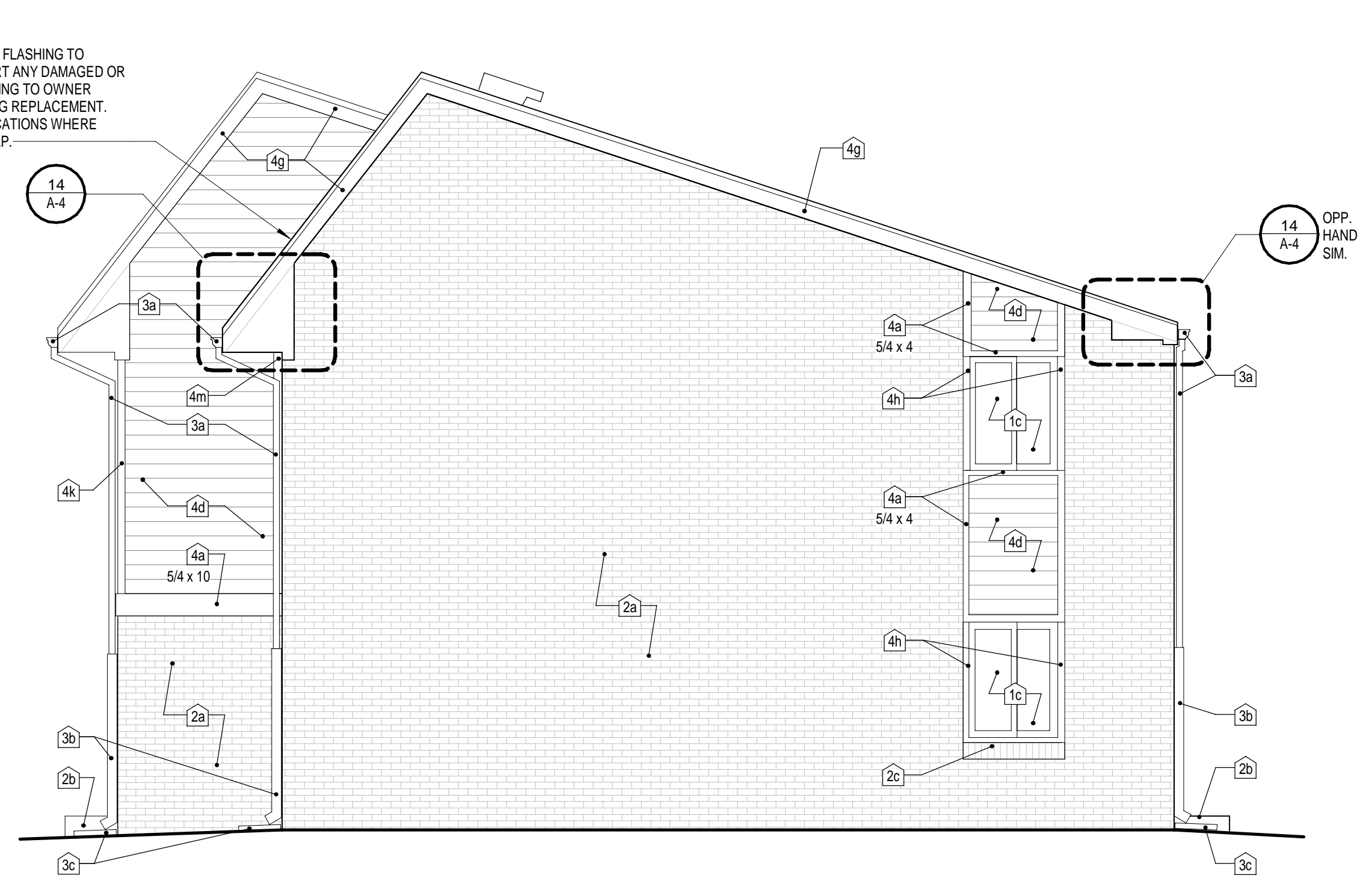
JOB NO. 1966
 DATE Feb 9, 2021
 DRAWN AN, RTP
 CHECKED BKL

COPYRIGHT © 2021 SHERMAN CARTER BARNHART ARCHITECTS, PLLC

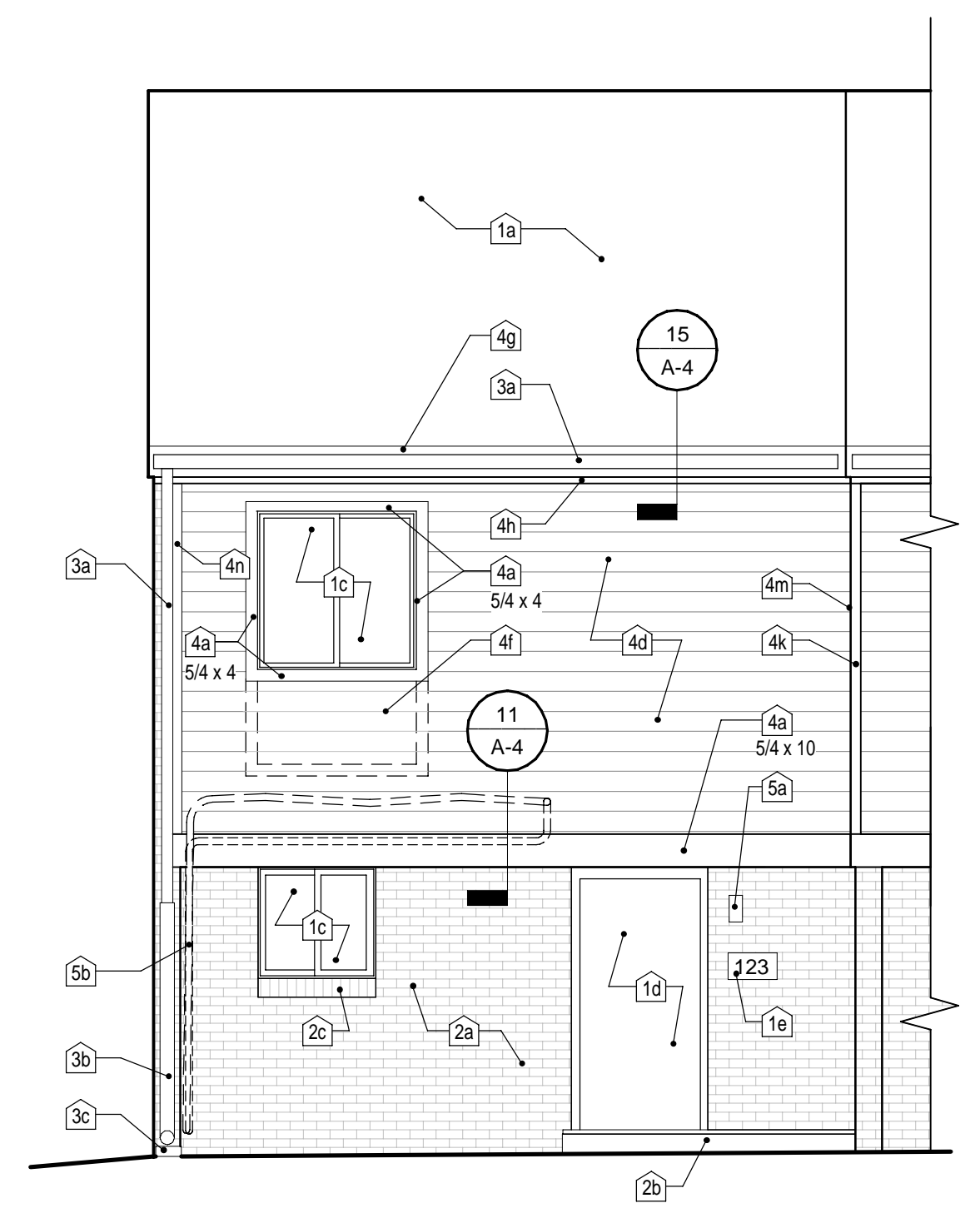
REVISIONS		
Type	No.	Date

SHEET

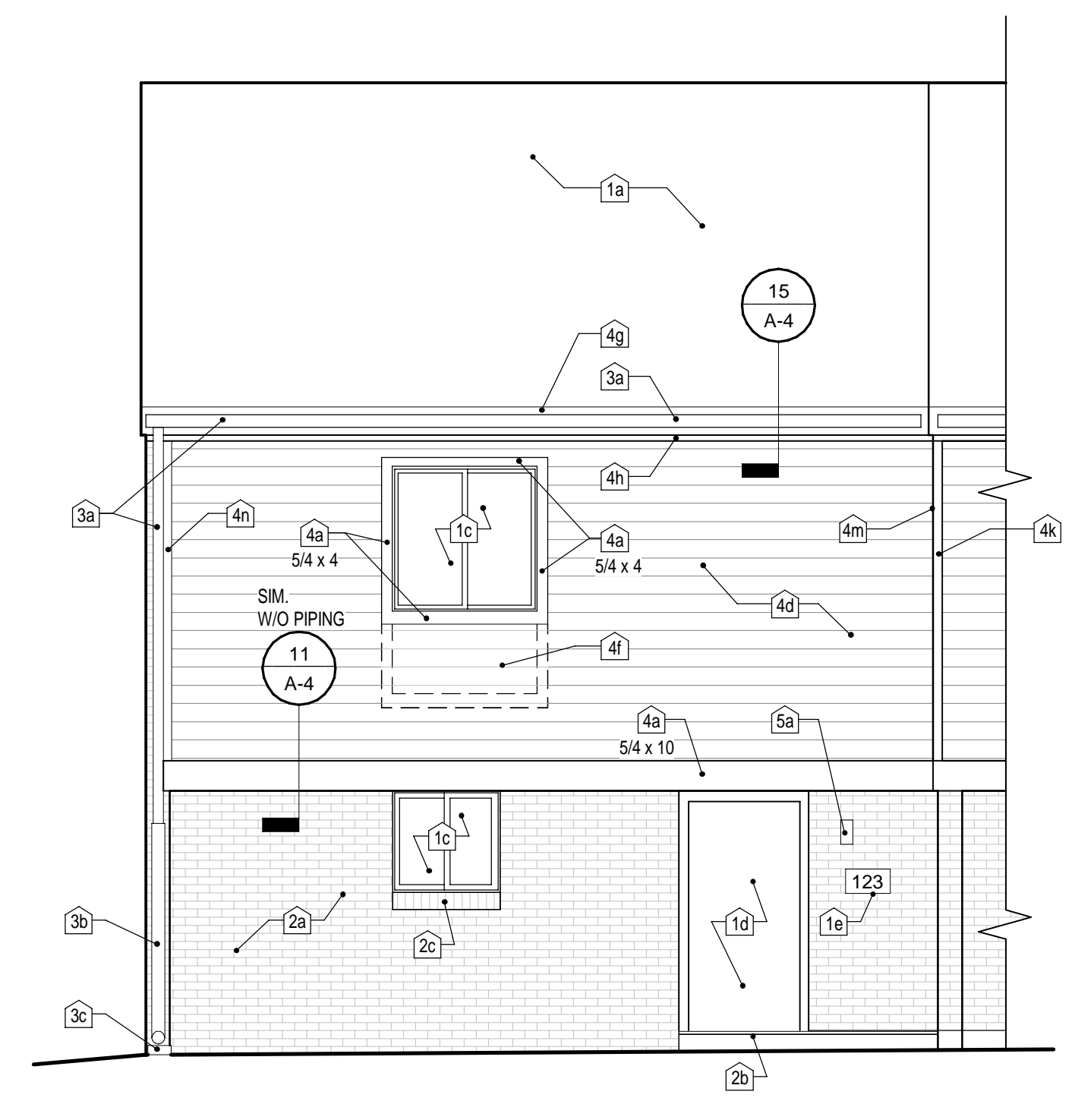
EXISTING ROOF FLASHING TO REMAIN. REPORT ANY DAMAGED OR MISSING FLASHING TO OWNER PRIOR TO SIDING REPLACEMENT. TYPICAL AT LOCATIONS WHERE ROOFS OVERLAP.



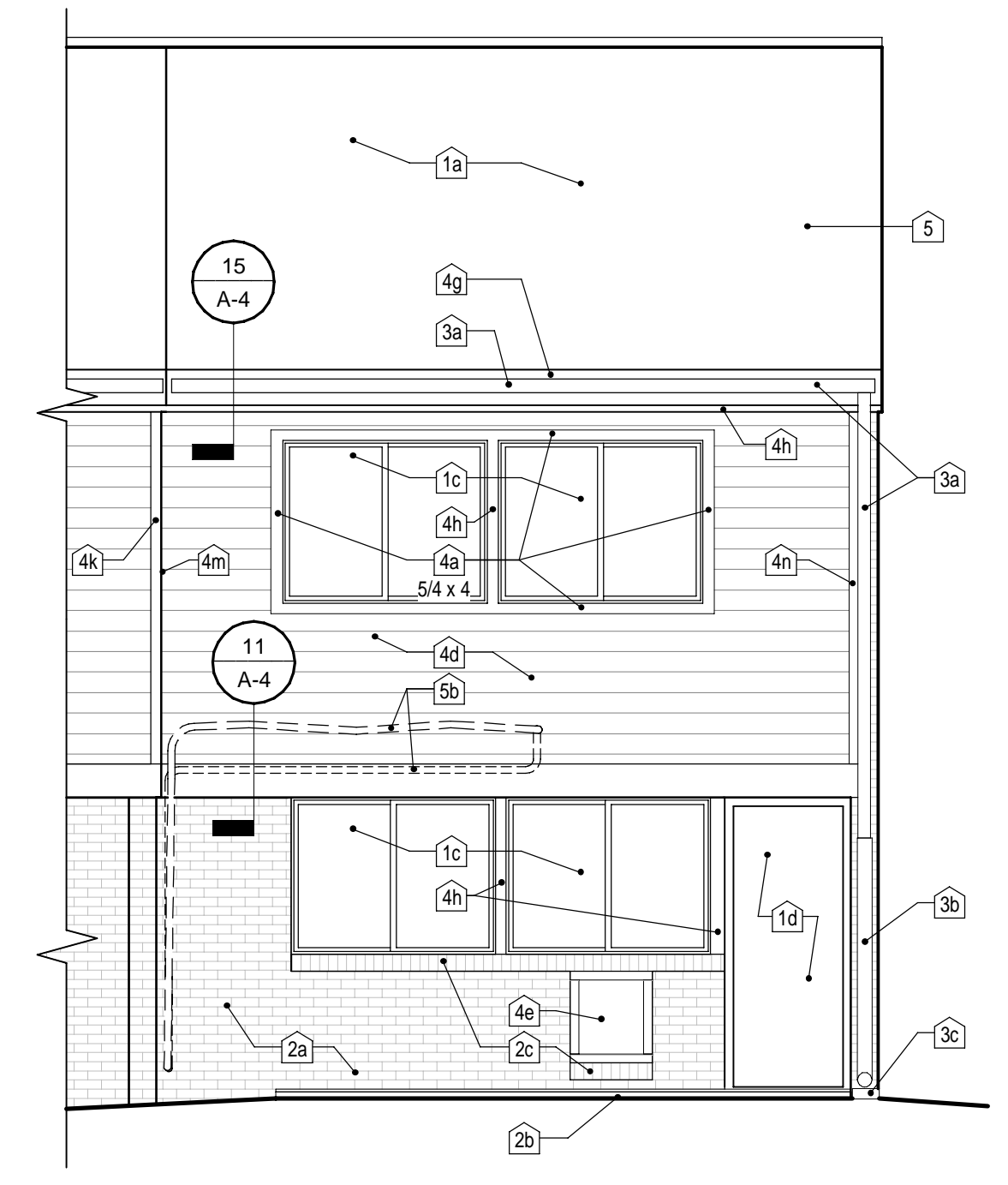
5 2 & 3 BR TOWNHOUSE SIDE ELEVATION
 1/4" = 1'-0"



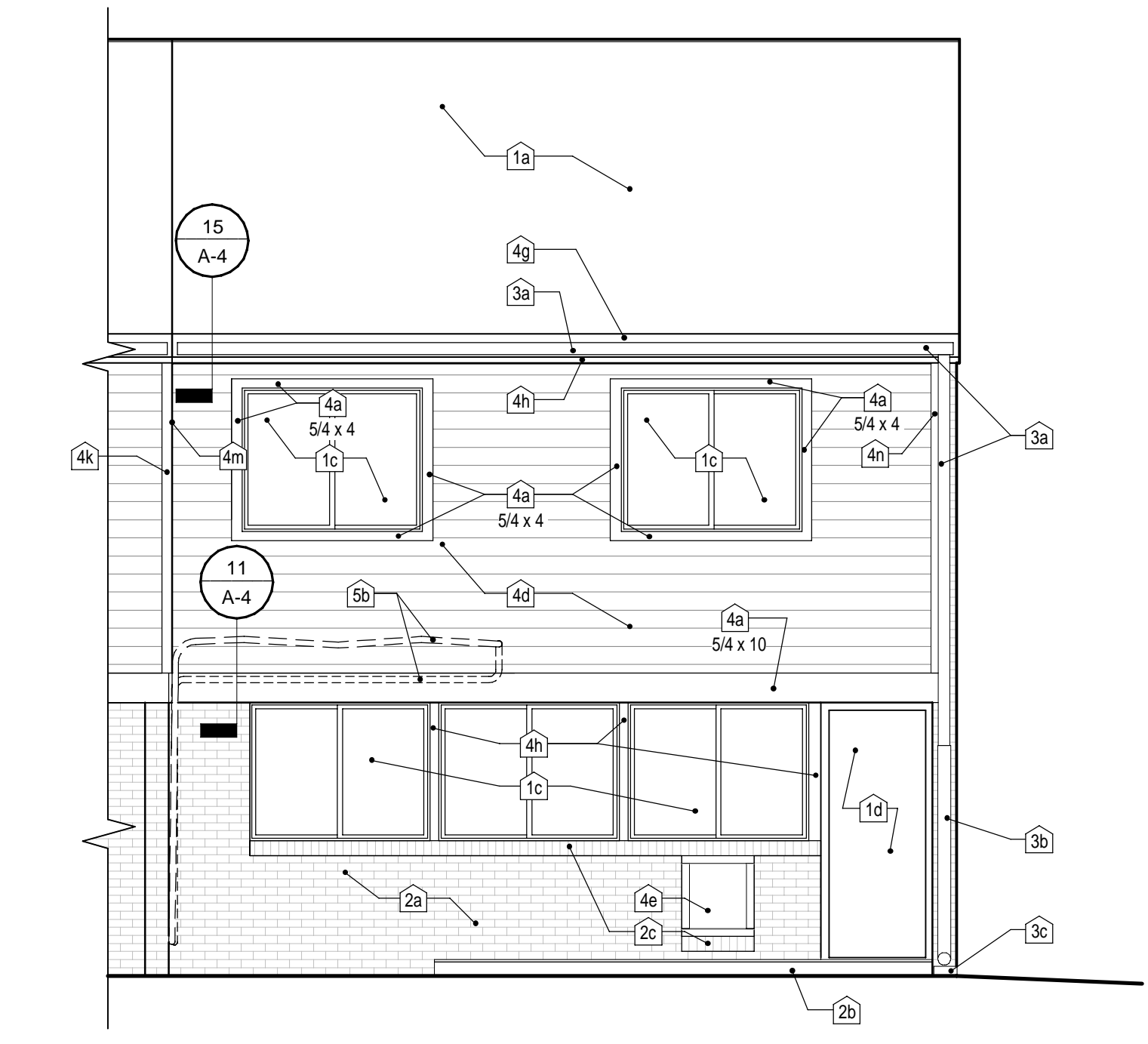
3 2 BR TOWNHOUSE FRONT ELEVATION
 1/4" = 1'-0"



1 3 BR TOWNHOUSE FRONT ELEVATION
 1/4" = 1'-0"

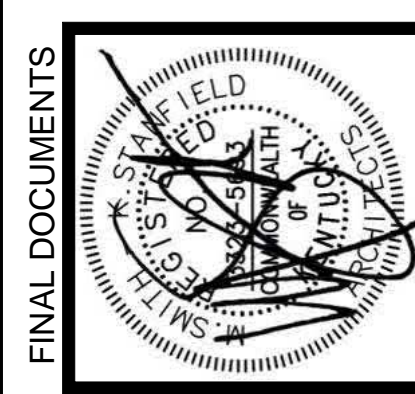


4 2BR TOWNHOUSE REAR ELEVATION
 1/4" = 1'-0"



2 3BR TOWNHOUSE REAR ELEVATION
 1/4" = 1'-0"

GENERAL ELEVATION NOTES	ELEVATION AND PHOTO DEMOLITION AND NEW WORK KEY NOTES		NOTE: ALL NOTES MAY NOT BE USED ON THIS SHEET.	
<p>A. ELEVATIONS ARE INCLUDED FOR GENERAL INFORMATION ONLY. EXACT CONDITIONS WILL VARY. REFER TO PHOTOS. SOME ELEVATIONS MAY BE SHOWN OPPOSITE HAND. CONTRACTOR TO CONFIRM CONDITIONS, PLACEMENTS AND APPLIED FIXTURES / UTILITIES IN FIELD.</p> <p>B. EXISTING UTILITY ITEMS (GAS METERS, PIPING, PANEL BOXES, CONDUIT, COMPRESSORS, DISCONNECT BOXES, HOSE BIBS, ETC.) ARE NOT INDICATED IN ALL PLACES ON THE DRAWINGS. CONTRACTOR TO CONFIRM LOCATIONS IN THE FIELD AND COORDINATE WORK / INSTALLATION AS NECESSARY.</p> <p>C. REFER TO GENERAL NOTES ON SHEET S-1 FOR NOTES ON SIGNAGE AND ADDITIONAL WALL SHEATHING.</p> <p>D. FIBER CEMENT TRIM SIZES ARE GIVEN IN NOMINAL DIMENSIONS.</p> <p>E. EXISTING STORM DOORS (NOT SHOWN IN ELEVATIONS) SHALL REMAIN IN PLACE. PROTECT DURING CONSTRUCTION. REFER TO DETAIL 13/A-4 FOR NEW FLASHING OVER EXISTING DOORS AT NEW SIDING.</p> <p>F. REFER TO DETAIL 5/A-4 FOR TYPICAL CONSTRUCTION OF WINDOW JAMB TRIM AT WINDOWS FIRST AND SECOND FLOOR. SILL SIM AT SECOND FLOOR.</p> <p>G. REFER TO TYPICAL FIBER CEMENT NOTES ON SHEET A-4 FOR FLASHING AT FIBER CEMENT TRIM PIECES</p>	<p>GENERAL:</p> <p>1a EXISTING ROOFING TO REMAIN. PROTECT. TYP.</p> <p>1b INTERIOR WALL SEPARATING UNITS SHOWN DASHED FOR REFERENCE. TYP.</p> <p>1c EXISTING WINDOW TO REMAIN. PROTECT. TYP. REMOVE EXISTING SEALANT AND PROVIDE NEW SEALANT AT PERIMETER OF WINDOW AND AT NEW TRIM.</p> <p>1d EXISTING DOOR AND FRAME TO REMAIN. PROTECT. TYP.</p> <p>1e SIGNAGE. REFER TO GENERAL NOTE C (THIS SHEET)</p> <p>MASONRY:</p> <p>2a EXISTING BRICK TO REMAIN. PROTECT. TYP.</p> <p>2b EXISTING CONCRETE STOOP TO REMAIN. PROTECT. REFER TO KEYNOTE 4b WHERE REQUIRED.</p> <p>2c EXISTING BRICK ROWLOCK SILL TO REMAIN. REPAIR / TUCKPOINT AS REQUIRED.</p> <p>DRAINAGE AND GRADE:</p> <p>3a EXISTING GUTTERS AND DOWNSPOUTS TO BE REMOVED. CAST IRON BOOTS AND / OR PVC EXTENSIONS TO REMAIN. PROVIDE NEW ALUMINUM GUTTERS AND DOWNSPOUTS TO MATCH EXISTING SIZE. COLOR TO BE SELECTED BY OWNER. INSTALL DOWNSPOUTS IN SAME LOCATIONS AND CONNECT TO EXISTING CAST IRON AND / OR PVC.</p>	<p>3b STRAIGHTEN EXISTING PVC EXTENSIONS AND / OR CAST IRON DOWNSPOUT BOOTS.</p> <p>3c EXISTING CONCRETE SPLASHBLOCKS TO REMAIN. PROVIDE NEW WHERE PATCH HOLES IN CONCRETE STOOP WITH EPOXY REPAIR MORTAR, TYP.</p> <p>TRIM AND SIDING:</p> <p>4a NEW FIBER CEMENT TRIM BOARD. SIZE SHOWN. PAINT.</p> <p>4b REMOVE EXISTING SCREEN WALL. PROVIDE NEW SCREEN PER DETAIL 1/A-4 PATCH HOLES IN CONCRETE STOOP WITH EPOXY REPAIR MORTAR, TYP.</p> <p>4c REMOVE EXISTING SOFFIT AND EDGE TRIM. PROVIDE NEW PERFORATED FIBER CEMENT SOFFIT WITH SEALANT AT PERIMETER.</p> <p>4d REMOVE EXISTING SIDING AND BUILDING WRAP. PROVIDE NEW BUILDING WRAP TAPE / CAULK FULL PERIMETER OF ALL EXISTING OPENINGS. PROVIDE BUILDING WRAP FLASHING AT PERIMETER OF EXISTING OPENINGS PER MANUFACTURER'S PRINTED INSTRUCTIONS. REPAIR ANY TEARS / PUNCTURES PRIOR TO OR DURING SIDING INSTALLATION. PROVIDE NEW VINYL SIDING (PRE-FINISHED FIBER CEMENT SIDING AT NORBROOK SITE) PER MANUFACTURER'S PRINTED INSTRUCTIONS.</p> <p>4e REMOVE EXISTING INFILL PANEL REPLACE PER DETAIL 9/A-4</p>	<p>4f REMOVE EXISTING INFILL PANEL. PERIMETER TRIM, AND SHEATHING. INSPECT INTERIOR FRAMING FOR ROT. REMOVE ROTTED MEMBERS AND REPLACE WITH NEW WOOD FRAMING AS NECESSARY. WORK TO OCCUR FROM EXTERIOR SIDE ONLY. INFILL OPENING WITH NEW SHEATHING (THICKNESS TO MATCH EXISTING) AND NEW HOUSE-WRAP. RUN NEW FIBER CEMENT SIDING CONTINUOUS WITH ADJACENT SIDING.</p> <p>4g REMOVE EXISTING FASCIAS AND RAKES AND ASSOCIATED CLADDING. PROVIDE NEW 4" FIBER CEMENT FASCIAS AND RAKES. MATCH EXISTING SIZE. PAINT</p> <p>4h REMOVE EXISTING TRIM. REPLACE WITH NEW FIBER CEMENT BOARD TRIM, MATCH SIZE, PAINT.</p> <p>4i NOT USED</p> <p>4k REMOVE EXISTING CORNER TRIM. PROVIDE NEW FIBER CEMENT CORNER TRIM. PAINT. REFER TO DETAIL 6/A-4</p> <p>4m REMOVE EXISTING INSIDE CORNER TRIM. PROVIDE NEW FIBER CEMENT INSIDE CORNER TRIM. PAINT. REFER TO DETAIL 7/A-4</p> <p>4n REMOVE EXISTING TRIM AT BRICK VENEER. PROVIDE NEW FIBER CEMENT TRIM, PAINT. REFER TO DETAIL 4/A-4</p> <p>4p REMOVE EXISTING VERTICAL VINYL SIDING. PROVIDE NEW FIBER CEMENT WALL PANEL (SMOOTH FINISH), PAINT, WITH FRY REGLET J CHANNEL (BASIS OF DESIGN) AT PERIMETER AND SEALANT.</p>	<p>UTILITIES:</p> <p>5a REMOVE EXISTING LIGHT FIXTURE AND REPLACE WITH NEW. CONTRACTOR TO CONFIRM PROPER OPERATION. REFER TO M-E DRAWINGS. PROVIDE FIBER CEMENT BACKING PLATE.</p> <p>5b REFRIGERANT PIPING TO BE REPLACED. REFER TO MECHANICAL. INSTALLATION OF NEW HORIZONTAL INSULATED REFRIGERANT PIPING TO BE CONCEALED WITHIN EXISTING SOFFIT. REFER TO DETAIL 11/A-4. LOCATION OF REFRIGERANT PIPING VARIES. CONFIRM IN FIELD.</p> <p>5c NOT USED</p> <p>5d EXISTING REFRIGERANT PIPING TO REMAIN. LOOSEN FROM FACE OF BUILDING FOR REPLACEMENT OF SIDING AND BUILDING WRAP. REPLACE INSULATION JACKET ON REFRIGERANT PIPING AND PROVIDE BRACKETS AS REQUIRED FOR REATTACHMENT.</p> <p>5e REMOVE AND REPLACE EXISTING MECHANICAL LOUVER WITH NEW PRE-FINISHED LOUVER TO MATCH DIMENSIONS, PROFILE AND FUNCTION OF EXISTING.</p> <p>5f EXISTING UTILITIES TO REMAIN.</p> <p>5g REMOVE EXISTING AUDIOVISUAL ALARM AND REPLACE WITH NEW AUDIOVISUAL ALARM. REFER TO M-E DRAWINGS. PROVIDE FIBER CEMENT MOUNTING BLOCK.</p> <p>5h CONTRACTOR TO COORDINATE WITH CABLE, SATELITE, PHONE, (ETC.) PROVIDERS TO REWIRE SERVICE TO AVOID EXPOSURE ON EXTERIOR OF BUILDING. REMOVE UNUSED WIRING.</p> <p>5j REMOVE EXISTING AND PROVIDE NEW SOFFIT VENT FROM EXHAUST FAN OR OTHER DEVICE.</p>



FINAL DOCUMENTS

LMHA NOLTEMEYER WYNDE SIDING REPLACEMENT
 4500 NOLTEMEYER WYNDE COURT
 LOUISVILLE KY. 40219
 LMHA PROPOSAL NO. 1539

COMMUNITY BUILDING ELEVATIONS

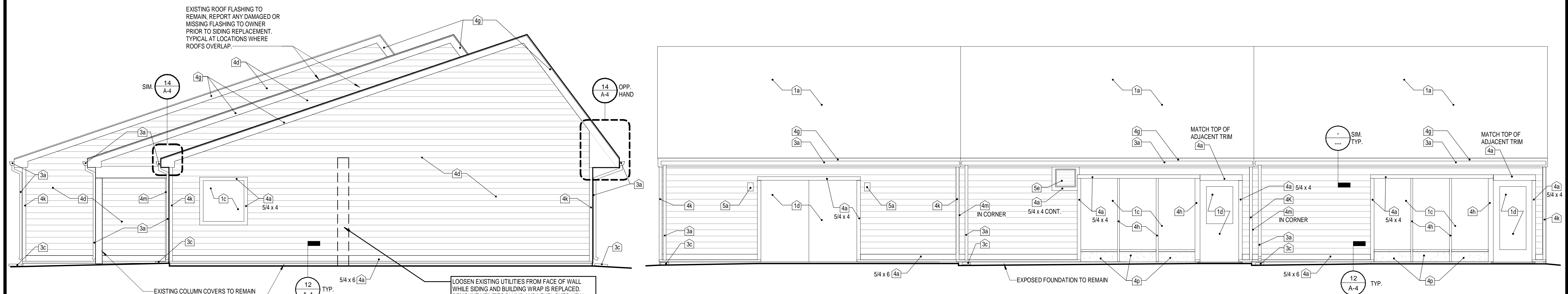
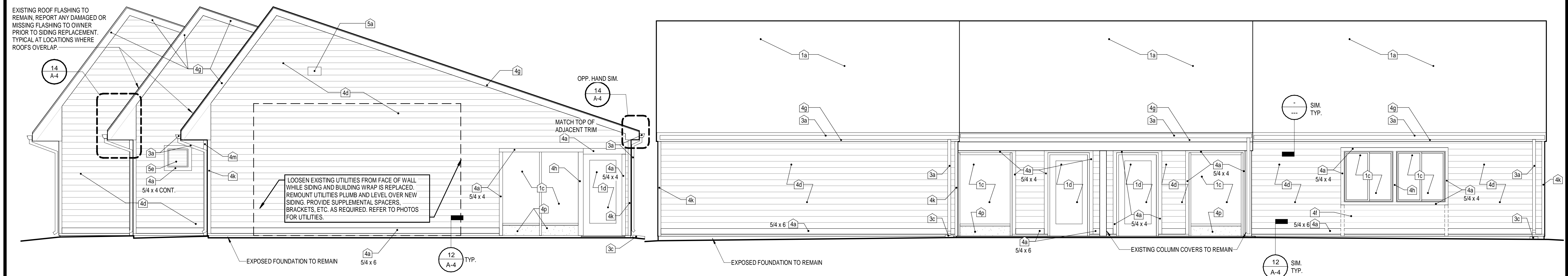
JOB NO.	1966
DATE	Feb 9, 2021
DRAWN	RTP
CHECKED	BKL

COPYRIGHT © 2021 SHERMAN CARTER BARNHART ARCHITECTS, PLLC

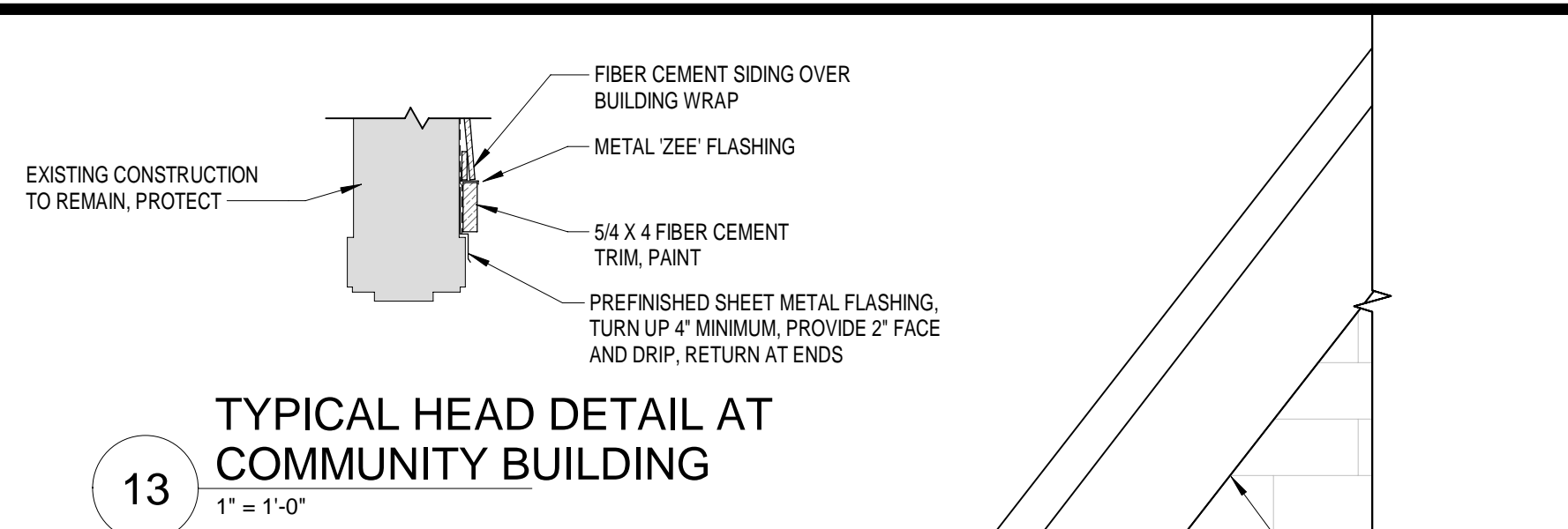
REVISIONS		
Type	No.	Date

SHEET

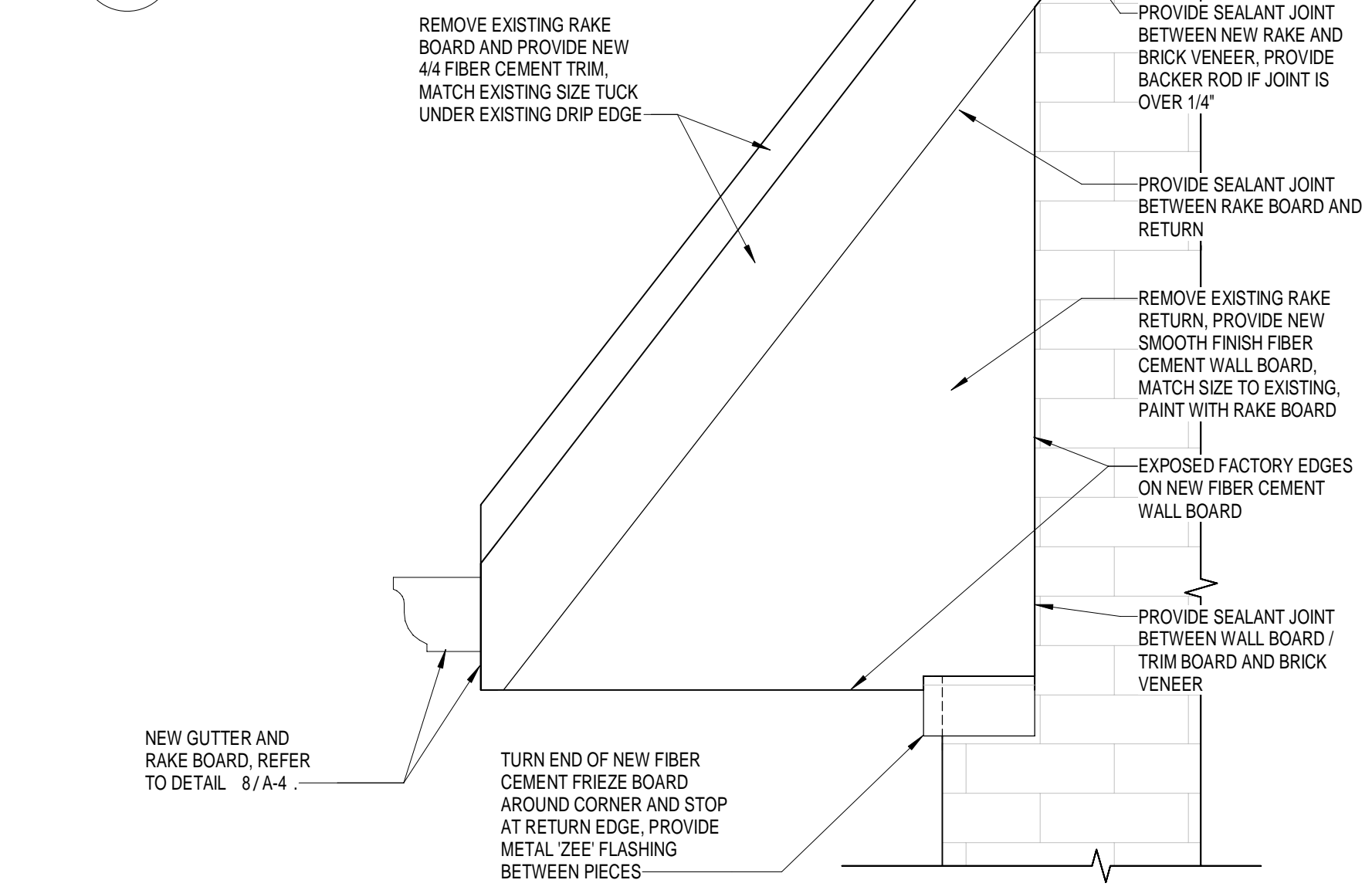
A-3



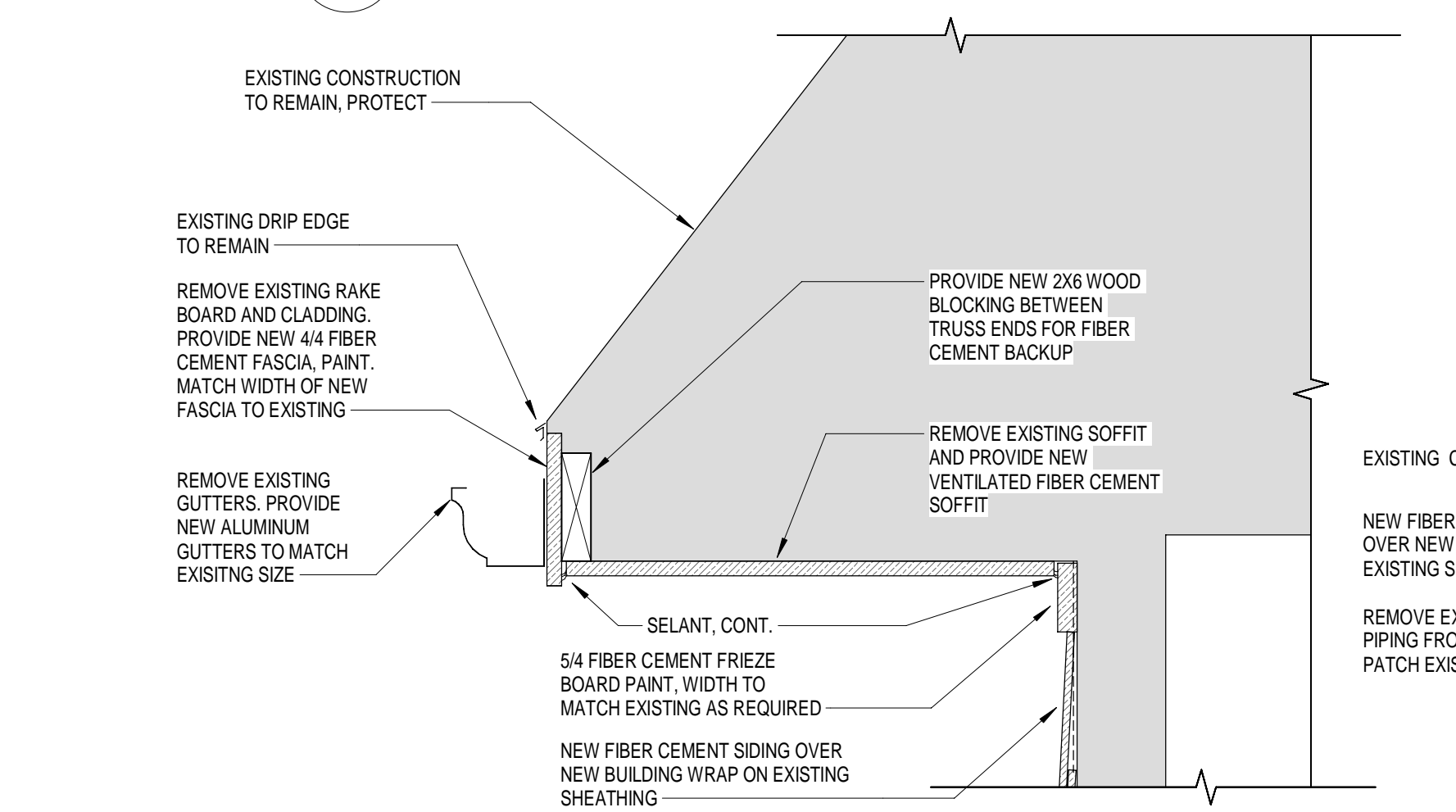
GENERAL ELEVATION NOTES	ELEVATION AND PHOTO DEMOLITION AND NEW WORK KEY NOTES	UTILITIES:
<p>A. ELEVATIONS ARE INCLUDED FOR GENERAL INFORMATION ONLY. EXACT CONDITIONS WILL VARY. REFER TO PHOTOS. SOME ELEVATIONS MAY BE SHOWN OPPOSITE HAND. CONTRACTOR TO CONFIRM CONDITIONS, PLACEMENTS AND APPLIED FIXTURES / UTILITIES IN FIELD.</p> <p>B. EXISTING UTILITY ITEMS (GAS METERS, PIPING, PANEL BOXES, CONDUIT, COMPRESSORS, DISCONNECT BOXES, HOSE BIBS, ETC.) ARE NOT INDICATED IN ALL PLACES ON THE DRAWINGS. CONTRACTOR TO CONFIRM LOCATIONS IN THE FIELD AND COORDINATE WORK / INSTALLATION AS NECESSARY.</p> <p>C. REFER TO GENERAL NOTES ON SHEET S-1 FOR NOTES ON SIGNAGE AND ADDITIONAL WALL SHEATHING.</p> <p>D. FIBER CEMENT TRIM SIZES ARE GIVEN IN NOMINAL DIMENSIONS.</p> <p>E. EXISTING STORM DOORS (NOT SHOWN IN ELEVATIONS) SHALL REMAIN IN PLACE. PROTECT DURING CONSTRUCTION. REFER TO DETAIL 13 / A-4 FOR NEW FLASHING OVER EXISTING DOORS AT NEW SIDING.</p> <p>F. REFER TO DETAIL 5 / A-4 FOR TYPICAL CONSTRUCTION OF WINDOW JAMB TRIM AT WINDOWS FIRST AND SECOND FLOOR, SILL SIM AT SECOND FLOOR.</p> <p>G. REFER TO TYPICAL FIBER CEMENT NOTES ON SHEET A-4 FOR FLASHING AT FIBER CEMENT TRIM PIECES</p>	<p>GENERAL:</p> <p>1a EXISTING ROOFING TO REMAIN. PROTECT, TYP.</p> <p>1b INTERIOR WALL SEPARATING UNITS SHOWN DASHED FOR REFERENCE, TYP.</p> <p>1c EXISTING WINDOW TO REMAIN. PROTECT, TYP. REMOVE EXISTING SEALANT AND PROVIDE NEW SEALANT AT PERIMETER OF WINDOW AND AT NEW TRIM.</p> <p>1d EXISTING DOOR AND FRAME TO REMAIN. PROTECT, TYP.</p> <p>1e SIGNAGE. REFER TO GENERAL NOTE C (THIS SHEET)</p> <p>MASONRY:</p> <p>2a EXISTING BRICK TO REMAIN. PROTECT, TYP.</p> <p>2b EXISTING CONCRETE STOOP TO REMAIN. PROTECT. REFER TO KEYNOTE 4b WHERE REQUIRED.</p> <p>2c EXISTING BRICK ROWLOCK SILL TO REMAIN. REPAIR / TUCKPOINT AS REQUIRED.</p> <p>DRAINAGE AND GRADE:</p> <p>3a EXISTING GUTTERS AND DOWNSPOUTS TO BE REMOVED. CAST IRON BOOTS AND / OR PVC EXTENSIONS TO REMAIN. PROVIDE NEW ALUMINUM GUTTERS AND DOWNSPOUTS TO MATCH EXISTING SIZE. COLOR TO BE SELECTED BY OWNER. INSTALL DOWNSPOUTS IN SAME LOCATIONS AND CONNECT TO EXISTING CAST IRON AND / OR PVC.</p> <p>3b STRAIGHTEN EXISTING PVC EXTENSIONS AND / OR CAST IRON DOWNSPOUT BOOTS.</p> <p>3c EXISTING CONCRETE SPLASHBLOCKS TO REMAIN. PROVIDE NEW WHERE SPLASHBLOCKS ARE MISSING. REFER TO SITE NOTES</p> <p>TRIM AND SIDING:</p> <p>4a NEW FIBER CEMENT TRIM BOARD. SIZE SHOWN. PAINT.</p> <p>4b REMOVE EXISTING SCREEN WALL. PROVIDE NEW SCREEN PER DETAIL 1 / A-4 PATCH HOLES IN CONCRETE STOOP WITH EPOXY REPAIR MORTAR, TYP.</p> <p>4c REMOVE EXISTING SOFFIT AND EDGE TRIM. PROVIDE NEW PERFORATED FIBER CEMENT SOFFIT WITH SEALANT AT PERIMETER.</p> <p>4d REMOVE EXISTING SIDING AND BUILDING WRAP. PROVIDE NEW BUILDING WRAP TAPE / CAULK FULL PERIMETER OF ALL EXISTING OPENINGS. PROVIDE BUILDING WRAP FLASHING AT PERIMETER OF EXISTING OPENINGS PER MANUFACTURER'S PRINTED INSTRUCTIONS. REPAIR ANY TEARS / PUNCTURES PRIOR TO OR DURING SIDING INSTALLATION. PROVIDE NEW VINYL SIDING (PRE-FINISHED FIBER CEMENT SIDING AT NORBROOK SITE) PER MANUFACTURER'S PRINTED INSTRUCTIONS.</p> <p>4e REMOVE EXISTING INFILL PANEL REPLACE PER DETAIL 9 / A-4</p>	<p>NOTE: ALL NOTES MAY NOT BE USED ON THIS SHEET.</p> <p>4f REMOVE EXISTING INFILL PANEL, PERIMETER TRIM, AND SHEATHING. INSPECT INTERIOR FRAMING FOR ROT. REMOVE ROTTED MEMBERS AND REPLACE WITH NEW WOOD FRAMING AS NECESSARY. WORK TO OCCUR FROM EXTERIOR SIDE ONLY. INFILL OPENING WITH NEW SHEATHING (THICKNESS TO MATCH EXISTING) AND NEW HOUSE-WRAP. RUN NEW FIBER CEMENT SIDING CONTINUOUS WITH ADJACENT SIDING.</p> <p>4g REMOVE EXISTING FASCIAS AND RAKES AND ASSOCIATED CLADDING. PROVIDE NEW 4/4 FIBER CEMENT FASCIAS AND RAKES. MATCH EXISTING SIZE. PAINT</p> <p>4h REMOVE EXISTING TRIM. REPLACE WITH NEW FIBER CEMENT BOARD TRIM, MATCH SIZE, PAINT.</p> <p>4i NOT USED</p> <p>4j REMOVE EXISTING CORNER TRIM. PROVIDE NEW FIBER CEMENT CORNER TRIM, PAINT. REFER TO DETAIL 6 / A-4</p> <p>4k REMOVE EXISTING INSIDE CORNER TRIM. PROVIDE NEW FIBER CEMENT INSIDE CORNER TRIM, PAINT. REFER TO DETAIL 7 / A-4</p> <p>4l REMOVE EXISTING TRIM AT BRICK VENEER. PROVIDE NEW FIBER CEMENT TRIM, PAINT. REFER TO DETAIL 4 / A-4</p> <p>4m REMOVE EXISTING VERTICAL VINYL SIDING. PROVIDE NEW FIBER CEMENT WALL PANEL (SMOOTH FINISH), PAINT, WITH FRY REGLET J CHANNEL (BASIS OF DESIGN) AT PERIMETER AND SEALANT.</p> <p>5a REMOVE EXISTING LIGHT FIXTURE AND REPLACE WITH NEW. CONTRACTOR TO CONFIRM PROPER OPERATION. REFER TO M-E DRAWINGS. PROVIDE FIBER CEMENT BACKING PLATE.</p> <p>5b REFRIGERANT PIPING TO BE REPLACED. REFER TO MECHANICAL. INSTALLATION OF NEW HORIZONTAL INSULATED REFRIGERANT PIPING TO BE CONCEALED WITHIN EXISTING SOFFIT. REFER TO DETAIL 11 / A-4. LOCATION OF REFRIGERANT PIPING VARIES. CONFIRM IN FIELD.</p> <p>5c NOT USED</p> <p>5d EXISTING REFRIGERANT PIPING TO REMAIN. LOOSEN FROM FACE OF BUILDING FOR REPLACEMENT OF SIDING AND BUILDING WRAP. REPLACE INSULATION JACKET ON REFRIGERANT PIPING AND PROVIDE BRACKETS AS REQUIRED FOR REATTACHMENT.</p> <p>5e REMOVE AND REPLACE EXISTING MECHANICAL LOUVER WITH NEW PRE-FINISHED LOUVER TO MATCH DIMENSIONS, PROFILE AND FUNCTION OF EXISTING.</p> <p>5f EXISTING UTILITIES TO REMAIN.</p> <p>5g REMOVE EXISTING AUDIO/VISUAL ALARM AND REPLACE WITH NEW AUDIO/VISUAL ALARM. REFER TO M-E DRAWINGS. PROVIDE FIBER CEMENT MOUNTING BLOCK.</p> <p>5h CONTRACTOR TO COORDINATE WITH CABLE, SATELLITE, PHONE, (ETC) PROVIDERS TO REWIRE SERVICE TO AVOID EXPOSURE ON EXTERIOR OF BUILDING. REMOVE UNUSED WIRING.</p> <p>5j REMOVE EXISTING AND PROVIDE NEW SOFFIT VENT FROM EXHAUST FAN OR OTHER DEVICE.</p>



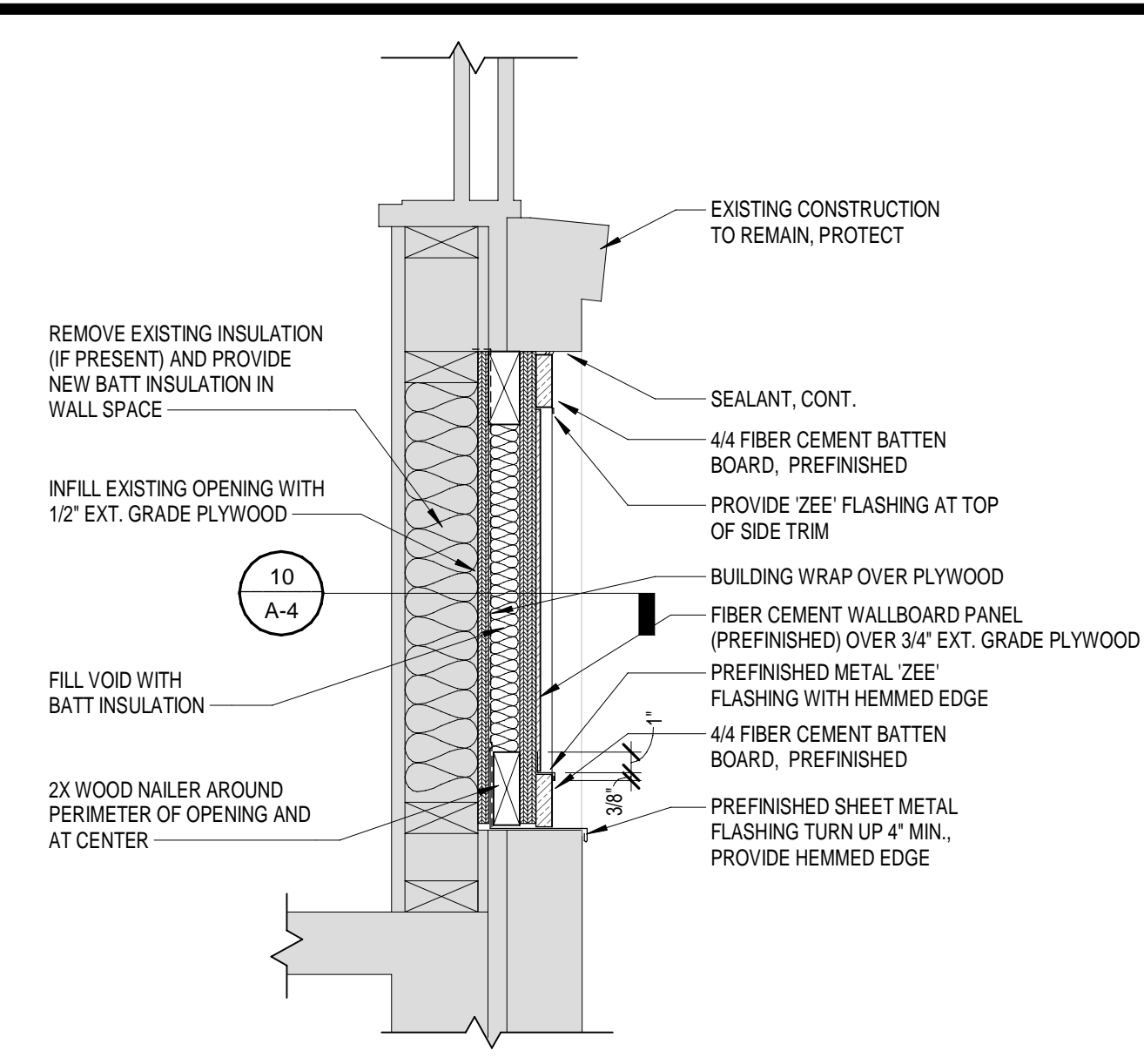
13
1" = 1'-0"



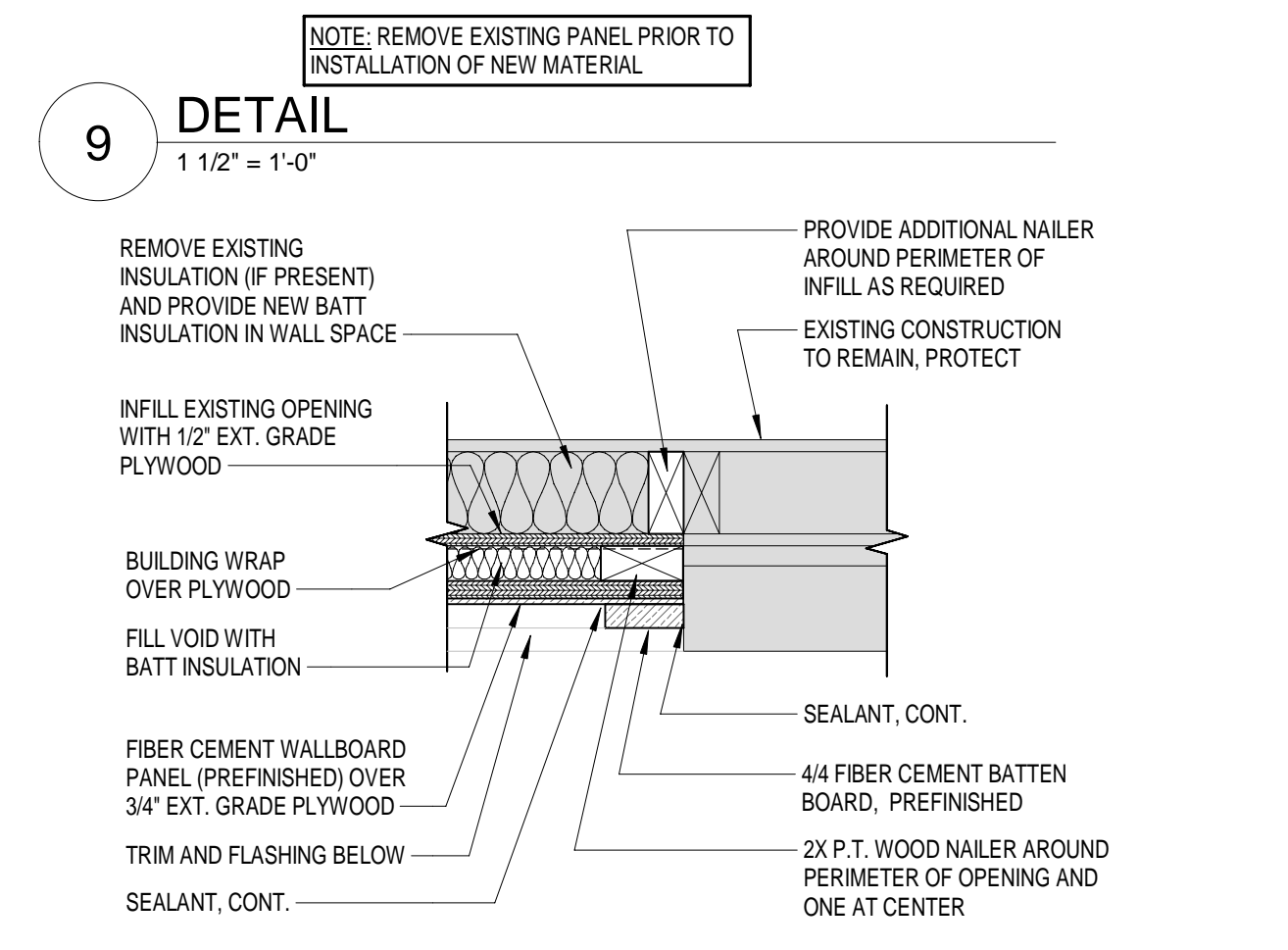
14
1 1/2" = 1'-0"



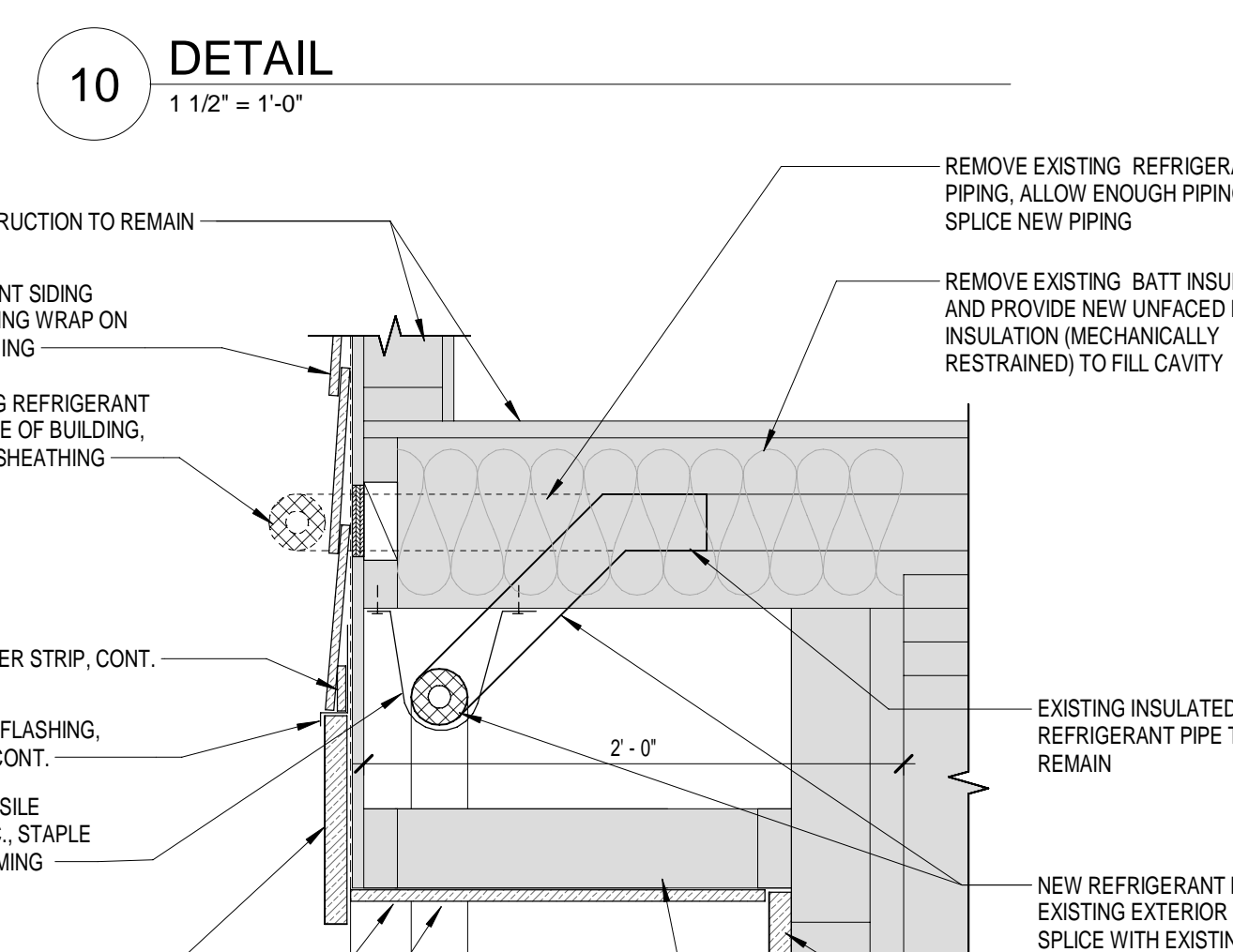
15
1 1/2" = 1'-0"



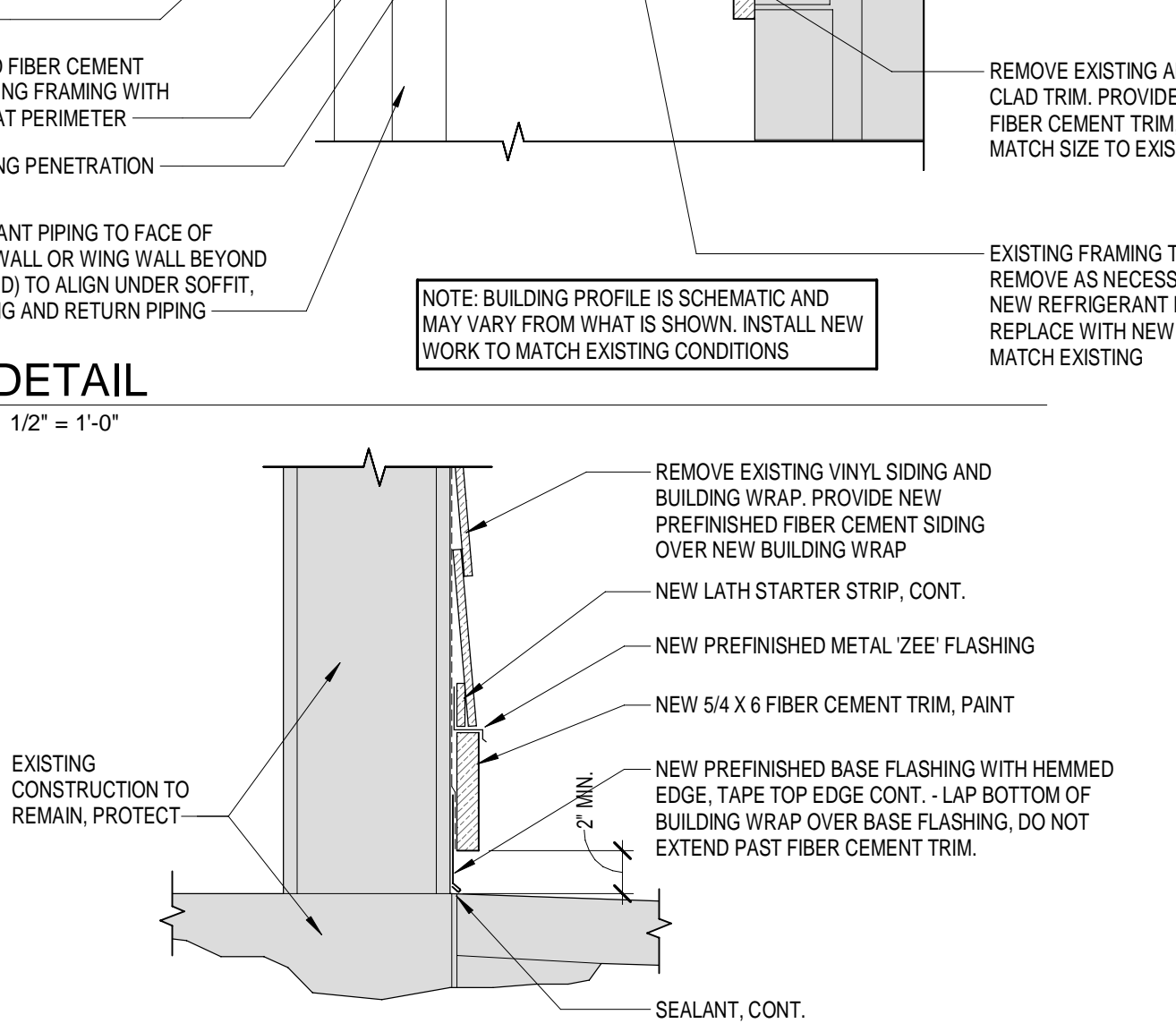
5
1" = 1'-0"



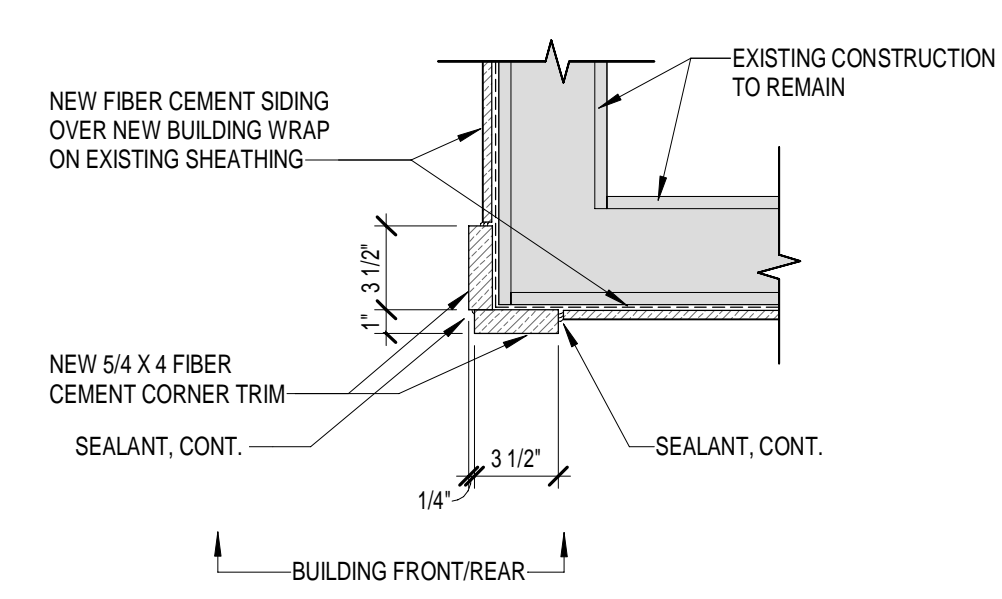
6
1 1/2" = 1'-0"



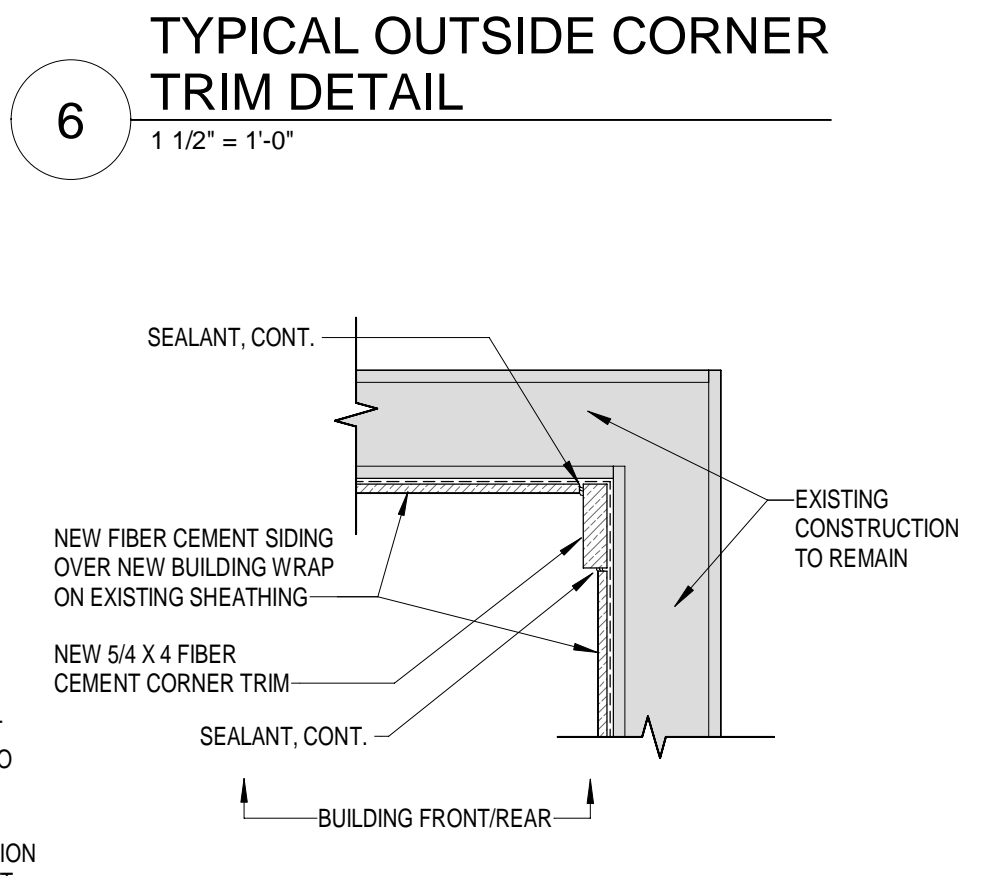
7
1 1/2" = 1'-0"



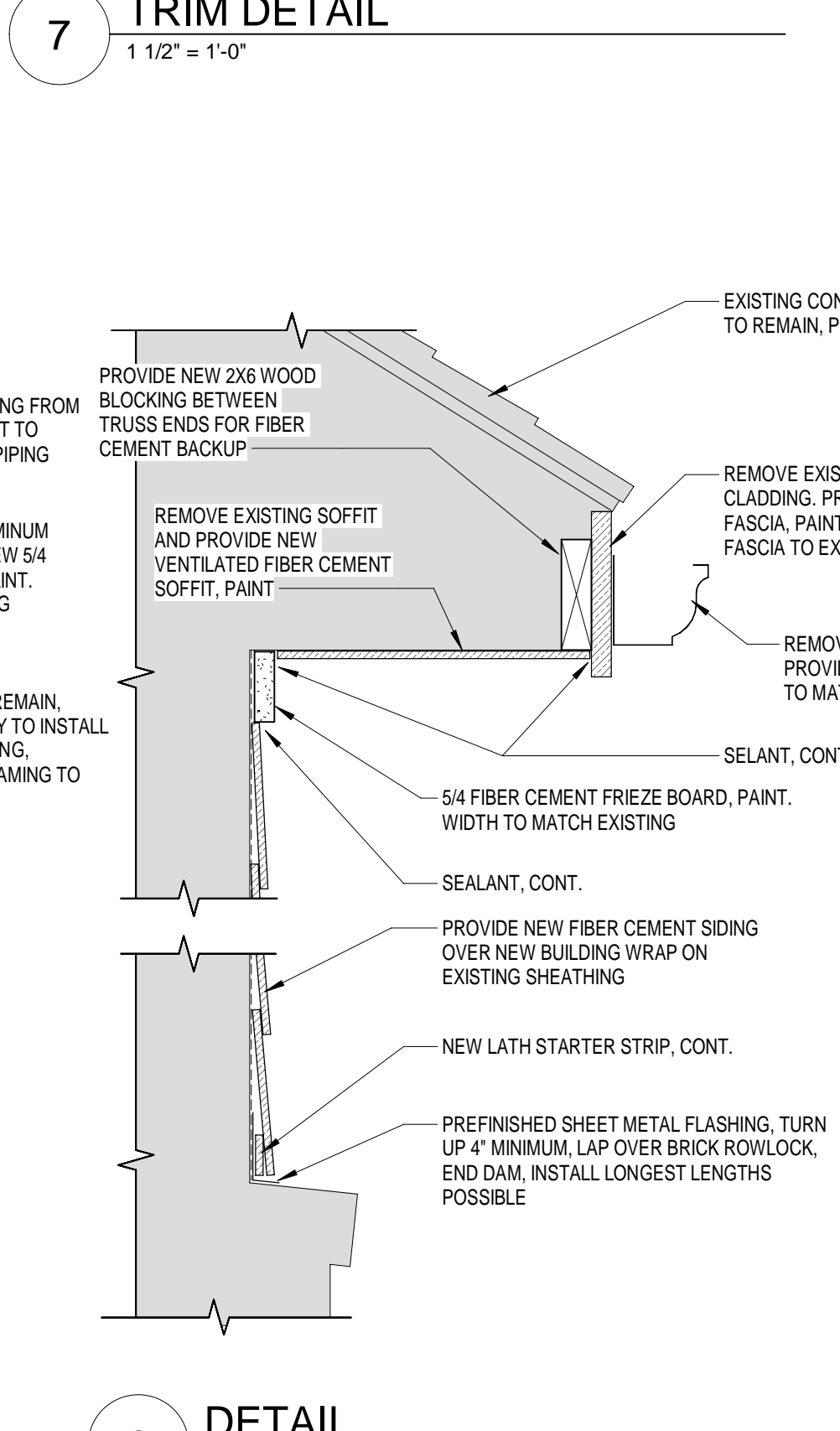
12
1 1/2" = 1'-0"



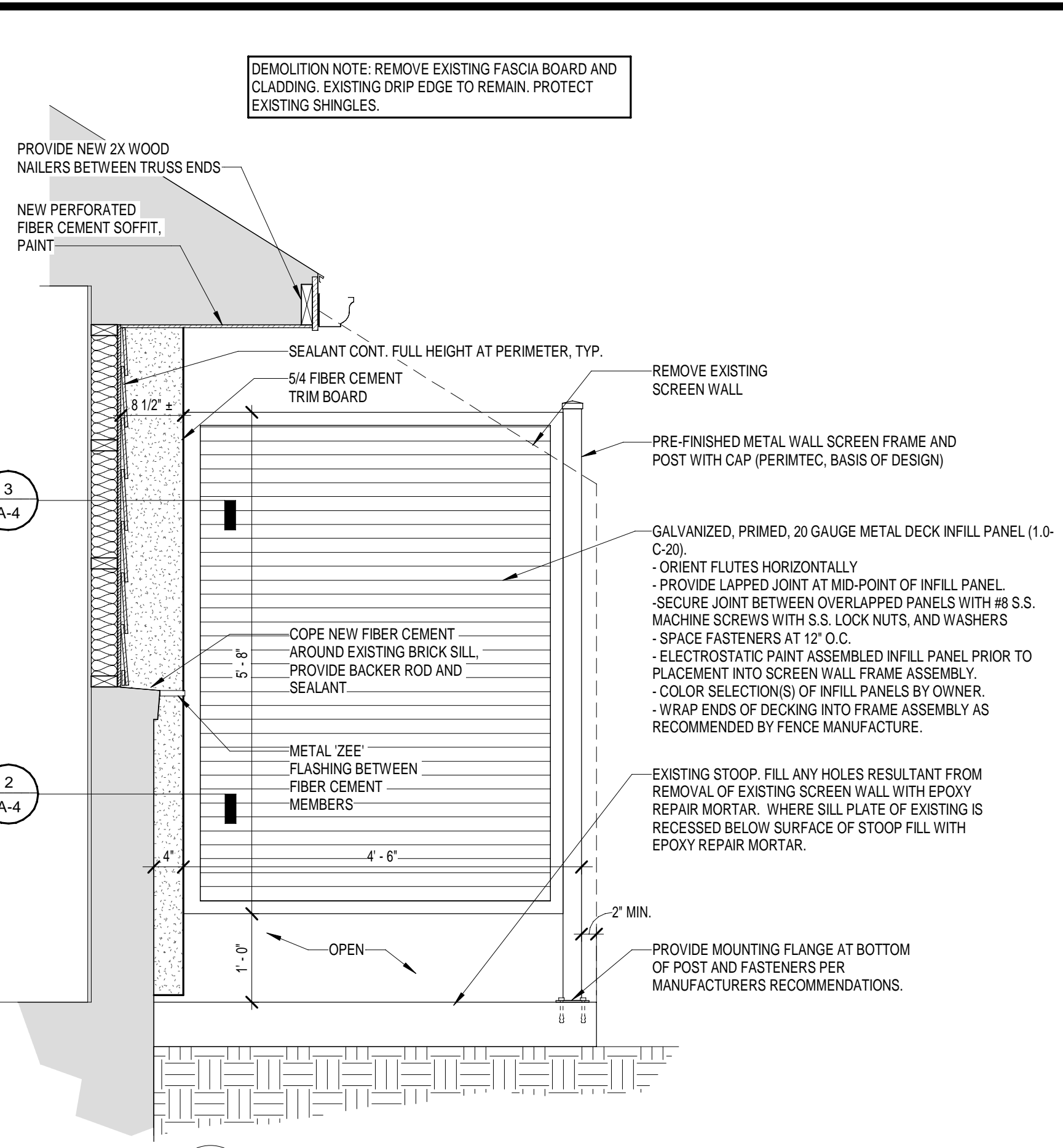
6
1 1/2" = 1'-0"



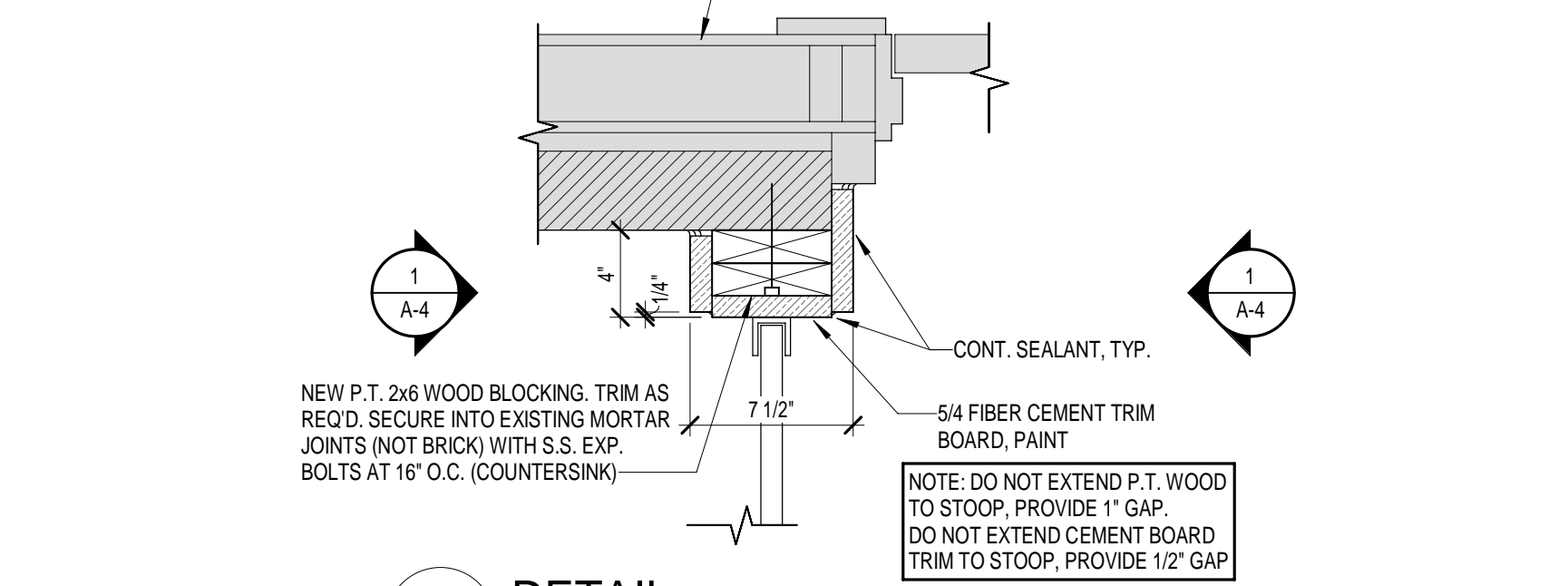
7
1 1/2" = 1'-0"



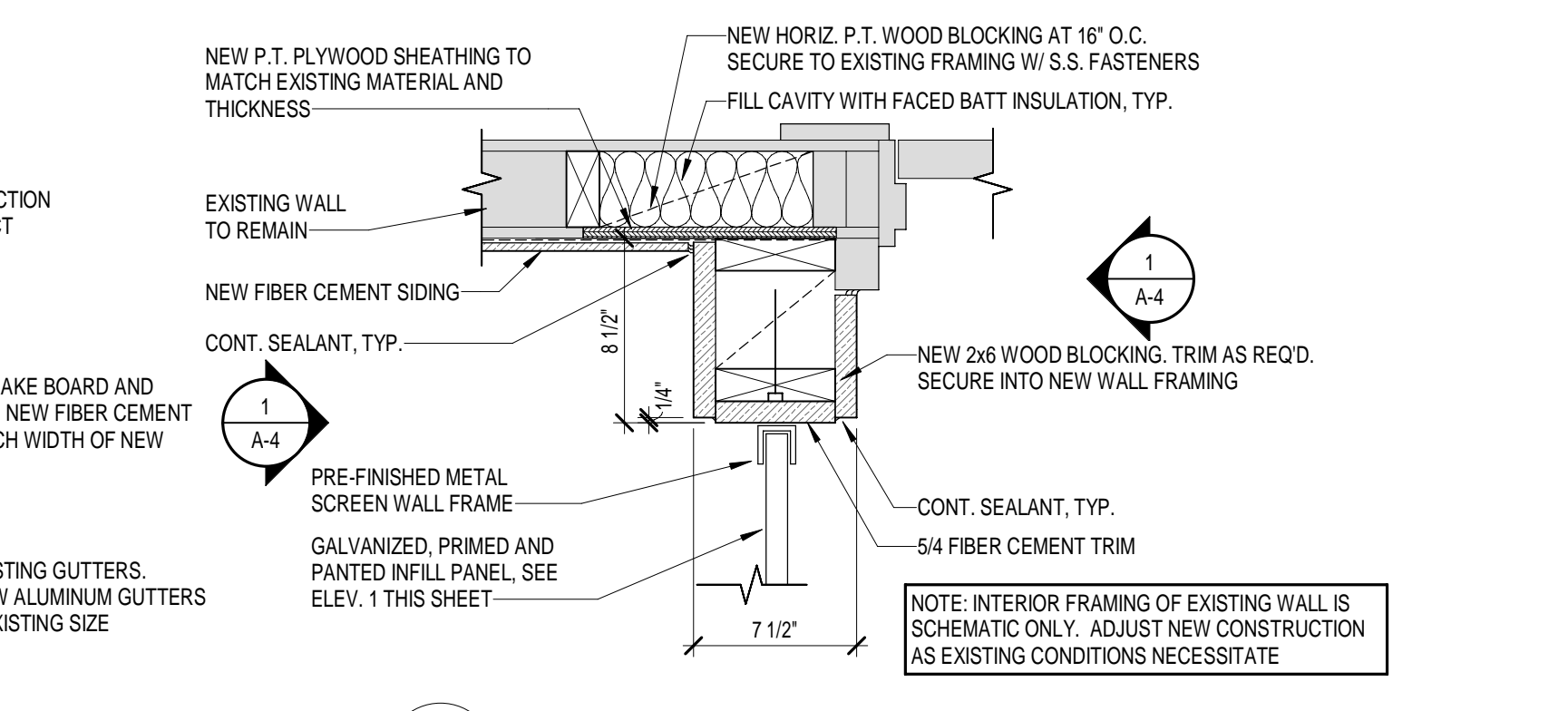
8
1 1/2" = 1'-0"



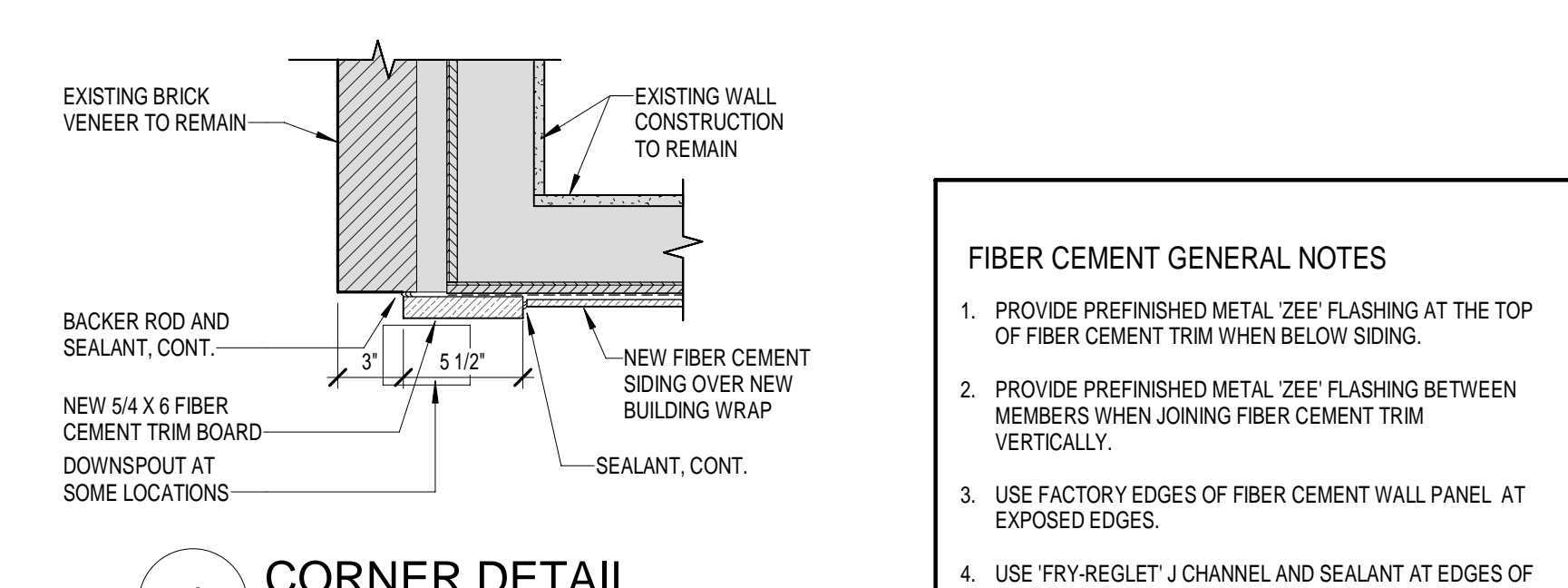
1
3/4" = 1'-0"



2
1 1/2" = 1'-0"

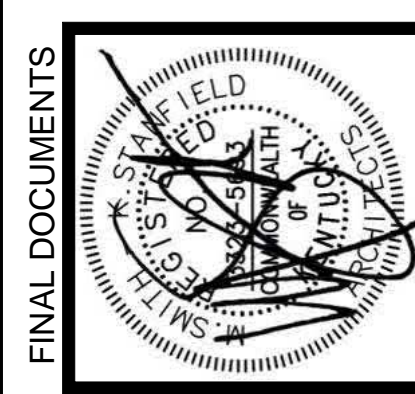


3
1 1/2" = 1'-0"



4
1 1/2" = 1'-0"

- FIBER CEMENT GENERAL NOTES**
1. PROVIDE PREFINISHED METAL ZEE FLASHING AT THE TOP OF FIBER CEMENT TRIM WHEN BELOW SIDING.
 2. PROVIDE PREFINISHED METAL ZEE FLASHING BETWEEN MEMBERS WHEN JOINING FIBER CEMENT TRIM VERTICALLY.
 3. USE FACTORY EDGES OF FIBER CEMENT WALL PANEL AT EXPOSED EDGES.
 4. USE FRY-REGLET CHANNEL AND SEALANT AT EDGES OF FIBER CEMENT WALL PANELS WHEN CUT TO JOINT WITH OTHER MATERIALS.



FINAL DOCUMENTS

LMHA NOLTEMEYER WYNDE SIDING REPLACEMENT
4500 NOLTEMEYER WYNDE COURT
LOUISVILLE KY. 40219
LMHA PROPOSAL NO. 1539

NOLTEMEYER WYNDE PHOTOS



1



2



3



4

TYPICAL NOTES APPLY TO OTHER PHOTOS ON THIS SHEET



5



6



7



8



9



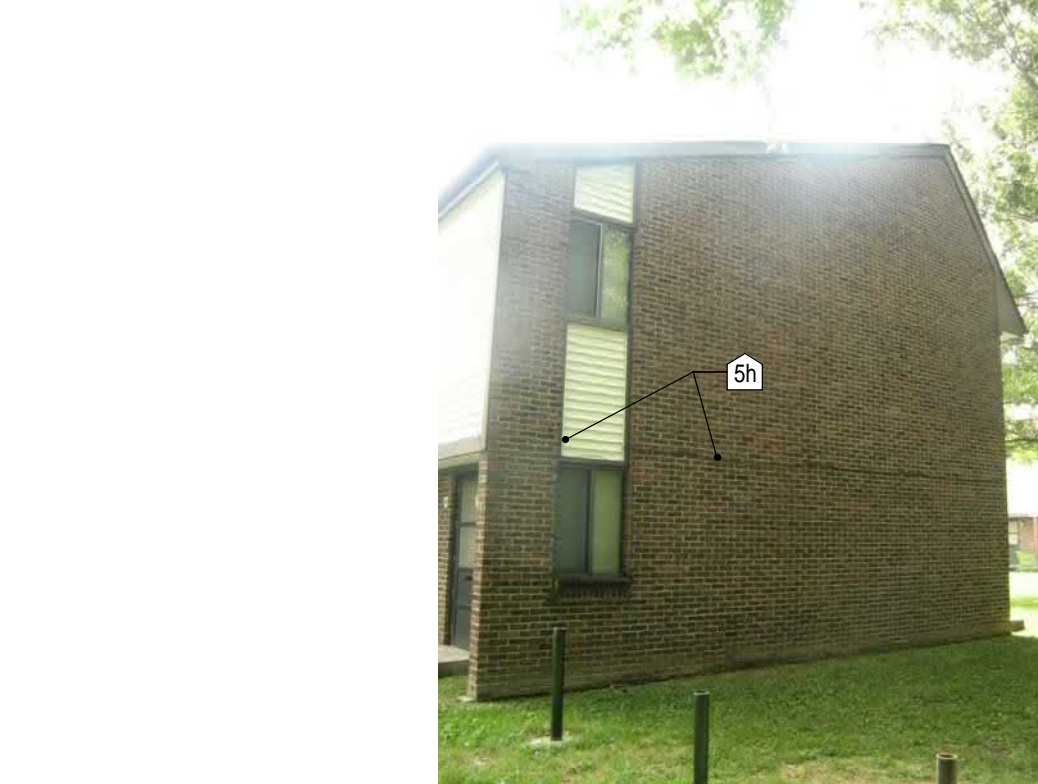
10



11



12



13



14



15



16

PHOTOGRAPHS ARE PROVIDED TO ASSIST WITH OVERALL PROJECT SCOPE AND DO NOT INDICATE A TAGE NOTE ON EVERY ITEM. REFER TO BUILDING ELEVATIONS AND BUILDING EXTERIOR GENERAL NOTES FOR ADDITIONAL INFORMATION.

GENERAL ELEVATION NOTES

A. ELEVATIONS ARE INCLUDED FOR GENERAL INFORMATION ONLY. EXACT CONDITIONS WILL VARY. REFER TO PHOTOS. SOME ELEVATIONS MAY BE SHOWN OPPOSITE HAND. CONTRACTOR TO CONFIRM CONDITIONS, PLACEMENTS AND APPLIED FIXTURES / UTILITIES IN FIELD.

B. EXISTING UTILITY ITEMS (GAS METERS, PIPING, PANEL BOXES, CONDUIT, COMPRESSORS, DISCONNECT BOXES, HOSE BIBS, ETC.) ARE NOT INDICATED IN ALL PLACES ON THE DRAWINGS. CONTRACTOR TO CONFIRM LOCATIONS IN THE FIELD AND COORDINATE WORK/INSTALLATION AS NECESSARY.

C. REFER TO GENERAL NOTES ON SHEET S-1 FOR NOTES ON SIGNAGE AND ADDITIONAL WALL SHEATHING.

D. FIBER CEMENT TRIM SIZES ARE GIVEN IN NOMINAL DIMENSIONS.

E. EXISTING STORM DOORS (NOT SHOWN IN ELEVATIONS) SHALL REMAIN IN PLACE. PROTECT DURING CONSTRUCTION. REFER TO DETAIL 13/A-4 FOR NEW FLASHING OVER EXISTING DOORS AT NEW SIDING.

F. REFER TO DETAIL 5/A-4 FOR TYPICAL CONSTRUCTION OF WINDOW JAMB TRIM AT WINDOWS FIRST AND SECOND FLOOR, SILL SIM AT SECOND FLOOR.

G. REFER TO TYPICAL FIBER CEMENT NOTES ON SHEET A-4 FOR FLASHING AT FIBER CEMENT TRIM PIECES

ELEVATION AND PHOTO DEMOLITION AND NEW WORK KEY NOTES

GENERAL:

1a EXISTING ROOFING TO REMAIN. PROTECT, TYP.

1b INTERIOR WALL SEPARATING UNITS SHOWN DASHED FOR REFERENCE, TYP.

1c EXISTING WINDOW TO REMAIN, PROTECT, TYP. REMOVE EXISTING SEALANT AND PROVIDE NEW SEALANT AT PERIMETER OF WINDOW AND AT NEW TRIM.

1d EXISTING DOOR AND FRAME TO REMAIN. PROTECT, TYP.

1e SIGNAGE, REFER TO GENERAL NOTE C (THIS SHEET)

MASONRY:

2a EXISTING BRICK TO REMAIN. PROTECT, TYP.

2b EXISTING CONCRETE STOOP TO REMAIN. PROTECT. REFER TO KEYNOTE 4b WHERE REQUIRED.

2c EXISTING BRICK ROWLOCK SILL TO REMAIN, REPAIR / TUCKPOINT AS REQUIRED.

DRAINAGE AND GRADE:

3a EXISTING GUTTERS AND DOWNSPOUTS TO BE REMOVED. CAST IRON BOOTS AND / OR PVC EXTENSIONS TO REMAIN. PROVIDE NEW ALUMINUM GUTTERS AND DOWNSPOUTS TO MATCH EXISTING SIZE. COLOR TO BE SELECTED BY OWNER. INSTALL DOWNSPOUTS IN SAME LOCATIONS AND CONNECT TO EXISTING CAST IRON AND / OR PVC.

3b STRAIGHTEN EXISTING PVC EXTENSIONS AND / OR CAST IRON DOWNSPOUT BOOTS.

3c EXISTING CONCRETE SPLASHBLOCKS TO REMAIN. PROVIDE NEW WHERE SPLASHBLOCKS ARE MISSING. REFER TO SITE NOTES

TRIM AND SIDING:

4a NEW FIBER CEMENT TRIM BOARD. SIZE SHOWN. PAINT.

4b REMOVE EXISTING SCREEN WALL. PROVIDE NEW SCREEN PER DETAIL 1/A-4 PATCH HOLES IN CONCRETE STOOP WITH EPOXY REPAIR MORTAR, TYP.

4c REMOVE EXISTING SOFFIT AND EDGE TRIM. PROVIDE NEW PERFORATED FIBER CEMENT SOFFIT WITH SEALANT AT PERIMETER.

4d REMOVE EXISTING SIDING AND BUILDING WRAP. PROVIDE NEW BUILDING WRAP TAPE / CAULK FULL PERIMETER OF ALL EXISTING OPENINGS. PROVIDE BUILDING WRAP FLASHING AT PERIMETER OF EXISTING OPENINGS PER MANUFACTURER'S PRINTED INSTRUCTIONS. REPAIR ANY TEARS / PUNCTURES PRIOR TO OR DURING SIDING INSTALLATION. PROVIDE NEW VINYL SIDING (PREFINISHED FIBER CEMENT SIDING AT NORBROOK SITE) PER MANUFACTURER'S PRINTED INSTRUCTIONS.

4e REMOVE EXISTING INFILL PANEL REPLACE PER DETAIL 9/A-4

4f REMOVE EXISTING INFILL PANEL, PERIMETER TRIM, AND SHEATHING. INSPECT INTERIOR FRAMING FOR ROT. REMOVE ROTTED MEMBERS AND REPLACE WITH NEW WOOD FRAMING AS NECESSARY. WORK TO OCCUR FROM EXTERIOR SIDE ONLY. INFILL OPENING WITH NEW SHEATHING (THICKNESS TO MATCH EXISTING) AND NEW HOUSE-WRAP. RUN NEW FIBER CEMENT SIDING CONTINUOUS WITH ADJACENT SIDING.

4g REMOVE EXISTING FASCIA AND RAKES AND ASSOCIATED CLADDING. PROVIDE NEW 4x4 FIBER CEMENT FASCIA AND RAKES. MATCH EXISTING SIZE. PAINT

4h REMOVE EXISTING TRIM. REPLACE WITH NEW FIBER CEMENT BOARD TRIM, MATCH SIZE, PAINT.

4j NOT USED

4k REMOVE EXISTING CORNER TRIM. PROVIDE NEW FIBER CEMENT CORNER TRIM, PAINT. REFER TO DETAIL 6/A-4

4m REMOVE EXISTING INSIDE CORNER TRIM. PROVIDE NEW FIBER CEMENT INSIDE CORNER TRIM, PAINT. REFER TO DETAIL 7/A-4

4n REMOVE EXISTING TRIM AT BRICK VENEER. PROVIDE NEW FIBER CEMENT TRIM, PAINT. REFER TO DETAIL 4/A-4

4p REMOVE EXISTING VERTICAL VINYL SIDING. PROVIDE NEW FIBER CEMENT WALL PANEL (SMOOTH FINISH), PAINT, WITH FRY REGLET J CHANNEL (BASIS OF DESIGN) AT PERIMETER AND SEALANT.

UTILITIES:

5a REMOVE EXISTING LIGHT FIXTURE AND REPLACE WITH NEW. CONTRACTOR TO CONFIRM PROPER OPERATION. REFER TO M-E DRAWINGS. PROVIDE FIBER CEMENT BACKING PLATE.

5b REFRIGERANT PIPING TO BE REPLACED. REFER TO MECHANICAL. INSTALLATION OF NEW HORIZONTAL INSULATED REFRIGERANT PIPING TO BE CONCEALED WITHIN EXISTING SOFFIT. REFER TO DETAIL 11/A-4. LOCATION OF REFRIGERANT PIPING VARIES, CONFIRM IN FIELD.

5c NOT USED

5d EXISTING REFRIGERANT PIPING TO REMAIN. LOOSEN FROM FACE OF BUILDING FOR REPLACEMENT OF SIDING AND BUILDING WRAP. REPLACE INSULATION JACKET ON REFRIGERANT PIPING AND PROVIDE BRACKETS AS REQUIRED FOR REATTACHMENT.

5e REMOVE AND REPLACE EXISTING MECHANICAL LOUVER WITH NEW PRE-FINISHED LOUVER TO MATCH DIMENSIONS, PROFILE AND FUNCTION OF EXISTING.

5f EXISTING UTILITIES TO REMAIN.

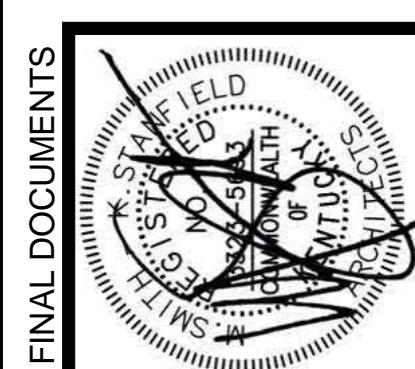
5g REMOVE EXISTING AUDIO/VISUAL ALARM AND REPLACE WITH NEW AUDIO/VISUAL ALARM. REFER TO M-E DRAWINGS. PROVIDE FIBER CEMENT MOUNTING BLOCK.

5h CONTRACTOR TO COORDINATE WITH CABLE, SATELLITE, PHONE, (ETC) PROVIDERS TO REWIRE SERVICE TO AVOID EXPOSURE ON EXTERIOR OF BUILDING. REMOVE UNUSED WIRING.

5j REMOVE EXISTING AND PROVIDE NEW SOFFIT VENT FROM EXHAUST FAN OR OTHER DEVICE.

NOTE: ALL NOTES MAY NOT BE USED ON THIS SHEET.

JOB NO.	1966	
DATE	Feb 9, 2021	
DRAWN	AN, RTP	
CHECKED	BKL	
COPYRIGHT © 2021 SHERMAN CARTER BARNHART ARCHITECTS, PLLC		
REVISIONS		
Type	No.	Date
SHEET		
P-1A		



FINAL DOCUMENTS

LMHA NOLTEMEYER WYNDE SIDING REPLACEMENT
4500 NOLTEMEYER WYNDE COURT
LOUISVILLE KY. 40219
LMHA PROPOSAL NO. 1539

NOLTEMEYER WYNDE PHOTOS



17



18



19



20



21



22



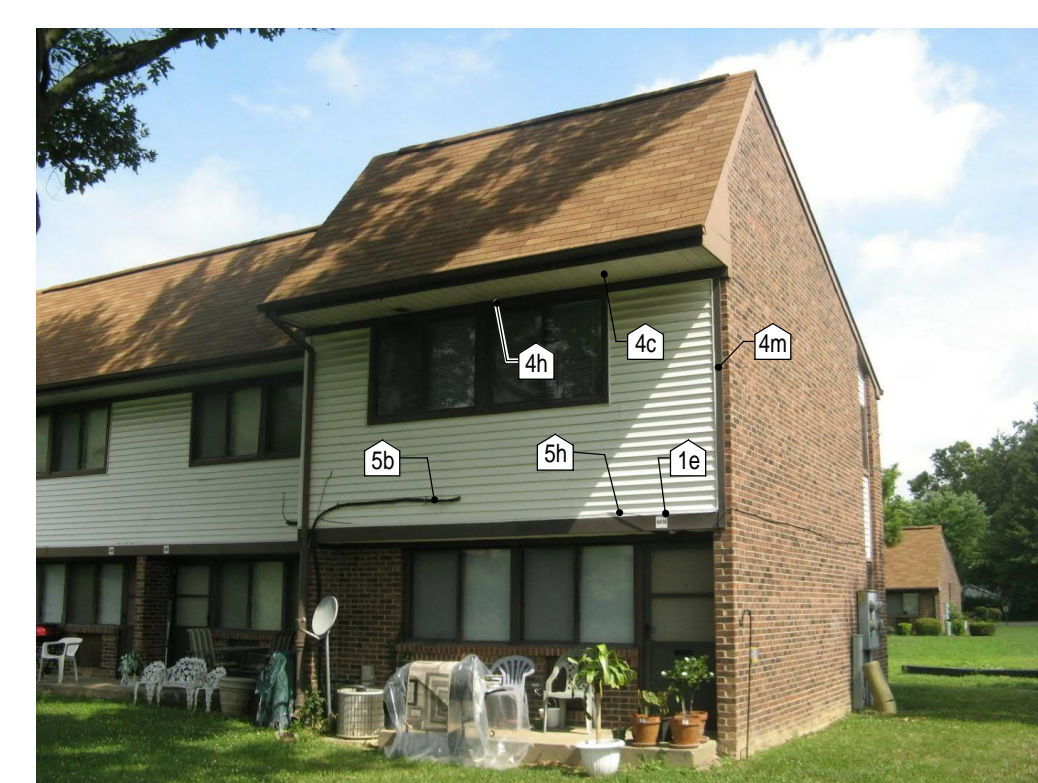
23



24



25



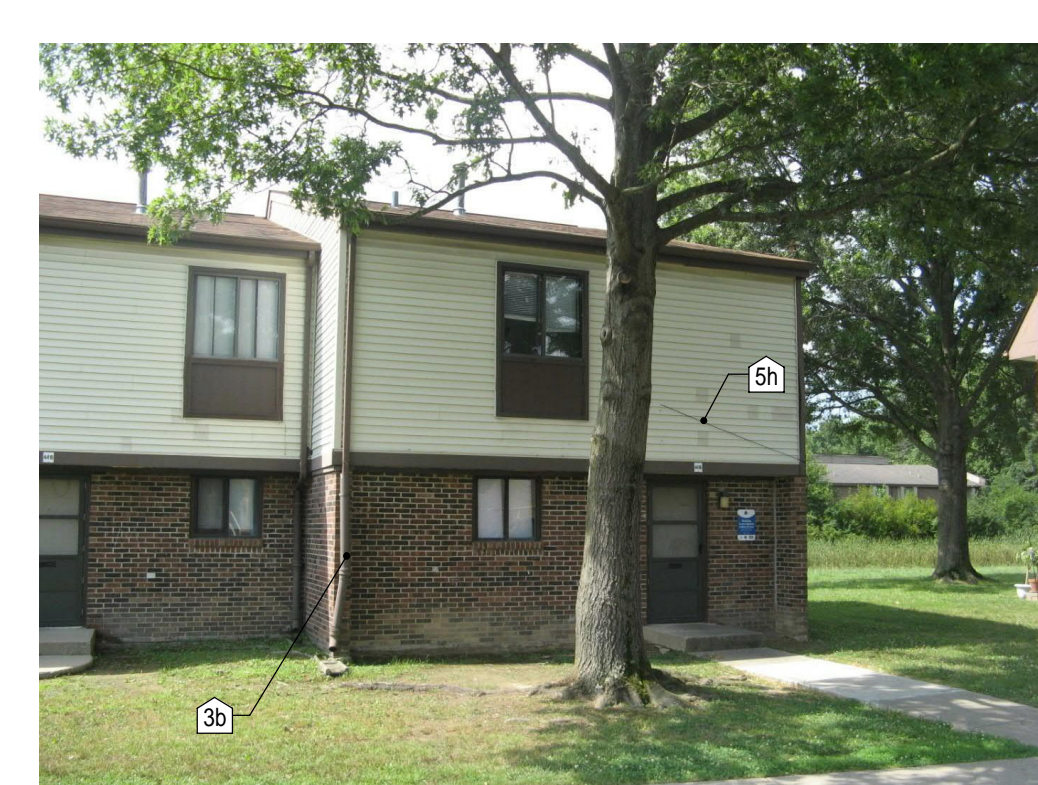
26



27



28



29



30



31



32

PHOTOGRAPHS ARE PROVIDED TO ASSIST WITH OVERALL PROJECT SCOPE AND DO NOT INDICATE A TAGE NOTE ON EVERY ITEM. REFER TO BUILDING ELEVATIONS AND BUILDING EXTERIOR GENERAL NOTES FOR ADDITIONAL INFORMATION.

GENERAL ELEVATION NOTES

- A. ELEVATIONS ARE INCLUDED FOR GENERAL INFORMATION ONLY. EXACT CONDITIONS WILL VARY. REFER TO PHOTOS. SOME ELEVATIONS MAY BE SHOWN OPPOSITE HAND. CONTRACTOR TO CONFIRM CONDITIONS, PLACEMENTS AND APPLIED FIXTURES / UTILITIES IN FIELD.
- B. EXISTING UTILITY ITEMS (GAS METERS, PIPING, PANEL BOXES, CONDUIT, COMPRESSORS, DISCONNECT BOXES, HOSE BIBS, ETC.) ARE NOT INDICATED IN ALL PLACES ON THE DRAWINGS. CONTRACTOR TO CONFIRM LOCATIONS IN THE FIELD AND COORDINATE WORK/INSTALLATION AS NECESSARY.
- C. REFER TO GENERAL NOTES ON SHEET S-1 FOR NOTES ON SIGNAGE AND ADDITIONAL WALL SHEATHING.
- D. FIBER CEMENT TRIM SIZES ARE GIVEN IN NOMINAL DIMENSIONS.
- E. EXISTING STORM DOORS (NOT SHOWN IN ELEVATIONS) SHALL REMAIN IN PLACE. PROTECT DURING CONSTRUCTION. REFER TO DETAIL 13/A-4 FOR NEW FLASHING OVER EXISTING DOORS AT NEW SIDING.
- F. REFER TO DETAIL 5/A-4 FOR TYPICAL CONSTRUCTION OF WINDOW JAMB TRIM AT WINDOWS FIRST AND SECOND FLOOR, SILL SIM AT SECOND FLOOR.
- G. REFER TO TYPICAL FIBER CEMENT NOTES ON SHEET A-4 FOR FLASHING AT FIBER CEMENT TRIM PIECES

ELEVATION AND PHOTO DEMOLITION AND NEW WORK KEY NOTES

- GENERAL:**
- 1a EXISTING ROOFING TO REMAIN. PROTECT, TYP.
 - 1b INTERIOR WALL SEPARATING UNITS SHOWN DASHED FOR REFERENCE, TYP.
 - 1c EXISTING WINDOW TO REMAIN, PROTECT, TYP. REMOVE EXISTING SEALANT AND PROVIDE NEW SEALANT AT PERIMETER OF WINDOW AND AT NEW TRIM.
 - 1d EXISTING DOOR AND FRAME TO REMAIN. PROTECT, TYP.
 - 1e SIGNAGE, REFER TO GENERAL NOTE C (THIS SHEET)
- MASONRY:**
- 2a EXISTING BRICK TO REMAIN. PROTECT, TYP.
 - 2b EXISTING CONCRETE STOOP TO REMAIN. PROTECT. REFER TO KEYNOTE 4b WHERE REQUIRED.
 - 2c EXISTING BRICK ROWLOCK SILL TO REMAIN, REPAIR / TUCKPOINT AS REQUIRED.
- DRAINAGE AND GRADE:**
- 3a EXISTING GUTTERS AND DOWNSPOUTS TO BE REMOVED. CAST IRON BOOTS AND / OR PVC EXTENSIONS TO REMAIN. PROVIDE NEW ALUMINUM GUTTERS AND DOWNSPOUTS TO MATCH EXISTING SIZE. COLOR TO BE SELECTED BY OWNER. INSTALL DOWNSPOUTS IN SAME LOCATIONS AND CONNECT TO EXISTING CAST IRON AND / OR PVC.

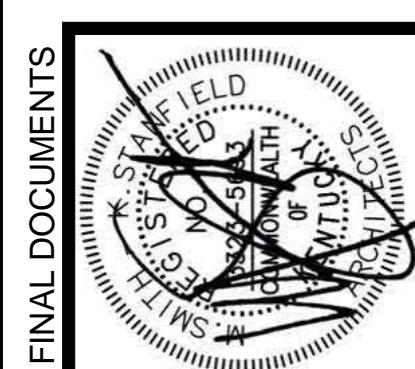
- 3b STRAIGHTEN EXISTING PVC EXTENSIONS AND / OR CAST IRON DOWNSPOUT BOOTS.
 - 3c EXISTING CONCRETE SPLASHBLOCKS TO REMAIN. PROVIDE NEW WHERE SPLASHBLOCKS ARE MISSING. REFER TO SITE NOTES
- TRIM AND SIDING:**
- 4a NEW FIBER CEMENT TRIM BOARD. SIZE SHOWN. PAINT.
 - 4b REMOVE EXISTING SCREEN WALL. PROVIDE NEW SCREEN PER DETAIL 1/A-4 PATCH HOLES IN CONCRETE STOOP WITH EPOXY REPAIR MORTAR, TYP.
 - 4c REMOVE EXISTING SOFFIT AND EDGE TRIM. PROVIDE NEW PERFORATED FIBER CEMENT SOFFIT WITH SEALANT AT PERIMETER.
 - 4d REMOVE EXISTING SIDING AND BUILDING WRAP. PROVIDE NEW BUILDING WRAP TAPE / CAULK FULL PERIMETER OF ALL EXISTING OPENINGS. PROVIDE BUILDING WRAP FLASHING AT PERIMETER OF EXISTING OPENINGS PER MANUFACTURER'S PRINTED INSTRUCTIONS. REPAIR ANY TEARS / PUNCTURES PRIOR TO OR DURING SIDING INSTALLATION. PROVIDE NEW VINYL SIDING (PREFINISHED FIBER CEMENT SIDING AT NORBROOK SITE) PER MANUFACTURER'S PRINTED INSTRUCTIONS.
 - 4e REMOVE EXISTING INFILL PANEL REPLACE PER DETAIL 9/A-4

- 4f REMOVE EXISTING INFILL PANEL, PERIMETER TRIM, AND SHEATHING. INSPECT INTERIOR FRAMING FOR ROT. REMOVE ROTTED MEMBERS AND REPLACE WITH NEW WOOD FRAMING AS NECESSARY. WORK TO OCCUR FROM EXTERIOR SIDE ONLY. INFILL OPENING WITH NEW SHEATHING (THICKNESS TO MATCH EXISTING) AND NEW HOUSE-WRAP. RUN NEW FIBER CEMENT SIDING CONTINUOUS WITH ADJACENT SIDING.
- 4g REMOVE EXISTING FASCIAS AND RAKES AND ASSOCIATED CLADDING. PROVIDE NEW 4x4 FIBER CEMENT FASCIAS AND RAKES. MATCH EXISTING SIZE. PAINT
- 4h REMOVE EXISTING TRIM. REPLACE WITH NEW FIBER CEMENT BOARD TRIM, MATCH SIZE, PAINT.
- 4j NOT USED
- 4k REMOVE EXISTING CORNER TRIM. PROVIDE NEW FIBER CEMENT CORNER TRIM, PAINT. REFER TO DETAIL 6/A-4
- 4m REMOVE EXISTING INSIDE CORNER TRIM. PROVIDE NEW FIBER CEMENT INSIDE CORNER TRIM, PAINT. REFER TO DETAIL 7/A-4
- 4n REMOVE EXISTING TRIM AT BRICK VENEER. PROVIDE NEW FIBER CEMENT TRIM, PAINT. REFER TO DETAIL 4/A-4
- 4p REMOVE EXISTING VERTICAL VINYL SIDING. PROVIDE NEW FIBER CEMENT WALL PANEL (SMOOTH FINISH), PAINT, WITH FRY REGLET J CHANNEL (BASIS OF DESIGN) AT PERIMETER AND SEALANT.

- UTILITIES:**
- 5a REMOVE EXISTING LIGHT FIXTURE AND REPLACE WITH NEW. CONTRACTOR TO CONFIRM PROPER OPERATION. REFER TO M-E DRAWINGS. PROVIDE FIBER CEMENT BACKING PLATE.
 - 5b REFRIGERANT PIPING TO BE REPLACED. REFER TO MECHANICAL. INSTALLATION OF NEW HORIZONTAL INSULATED REFRIGERANT PIPING TO BE CONCEALED WITHIN EXISTING SOFFIT. REFER TO DETAIL 11/A-4. LOCATION OF REFRIGERANT PIPING VARIES, CONFIRM IN FIELD.
 - 5c NOT USED
 - 5d EXISTING REFRIGERANT PIPING TO REMAIN. LOOSEN FROM FACE OF BUILDING FOR REPLACEMENT OF SIDING AND BUILDING WRAP. REPLACE INSULATION JACKET ON REFRIGERANT PIPING AND PROVIDE BRACKETS AS REQUIRED FOR REATTACHMENT.
 - 5e REMOVE AND REPLACE EXISTING MECHANICAL LOUVER WITH NEW PRE-FINISHED LOUVER TO MATCH DIMENSIONS, PROFILE AND FUNCTION OF EXISTING.
 - 5f EXISTING UTILITIES TO REMAIN.
 - 5g REMOVE EXISTING AUDIO/VISUAL ALARM AND REPLACE WITH NEW AUDIO/VISUAL ALARM. REFER TO M-E DRAWINGS. PROVIDE FIBER CEMENT MOUNTING BLOCK.
 - 5h CONTRACTOR TO COORDINATE WITH CABLE, SATELITE, PHONE, (ETC) PROVIDERS TO REWIRE SERVICE TO AVOID EXPOSURE ON EXTERIOR OF BUILDING. REMOVE UNUSED WIRING.
 - 5j REMOVE EXISTING AND PROVIDE NEW SOFFIT VENT FROM EXHAUST FAN OR OTHER DEVICE.

NOTE: ALL NOTES MAY NOT BE USED ON THIS SHEET.

JOB NO.	1966
DATE	Feb 9, 2021
DRAWN	AN, RTP
CHECKED	BKL
COPYRIGHT © 2021 SHERMAN CARTER BARNHART ARCHITECTS, PLLC	
REVISIONS	
Type	No. Date
SHEET	
P-1B	



FINAL DOCUMENTS

LMHA NOLTEMAYER WYNDE SIDING REPLACEMENT
4500 NOLTEMAYER WYNDE COURT
LOUISVILLE KY. 40219
LMHA PROPOSAL NO. 1539

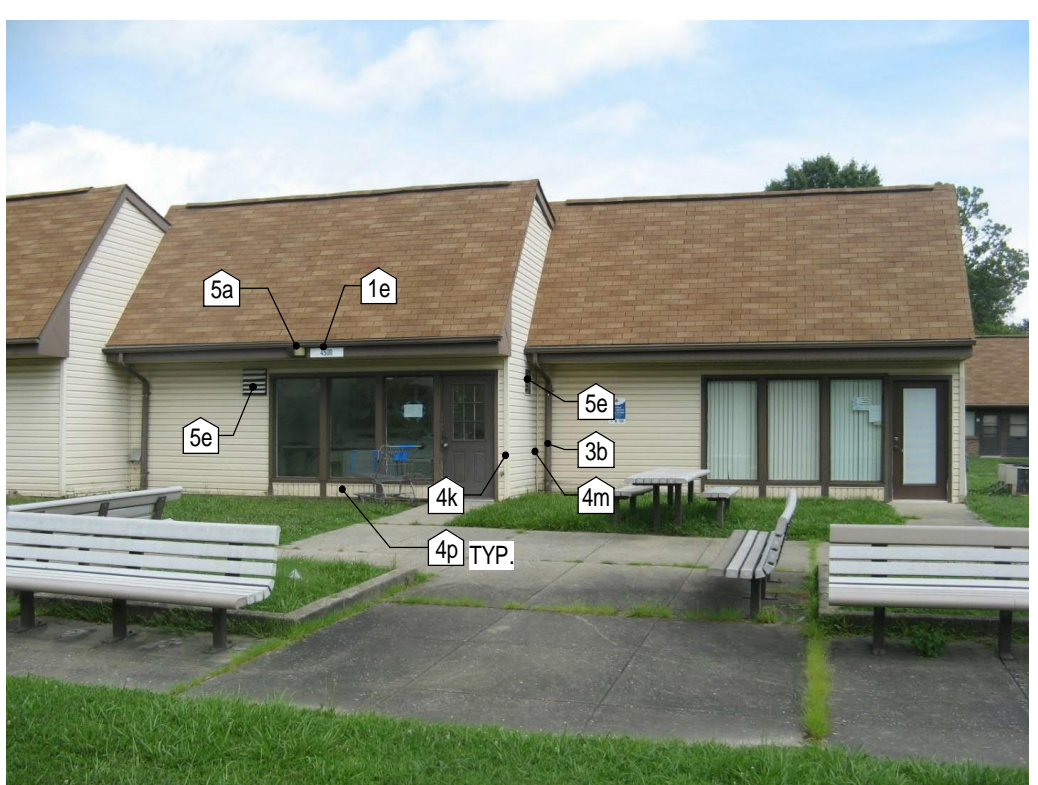
NOLTEMAYER WYNDE PHOTOS



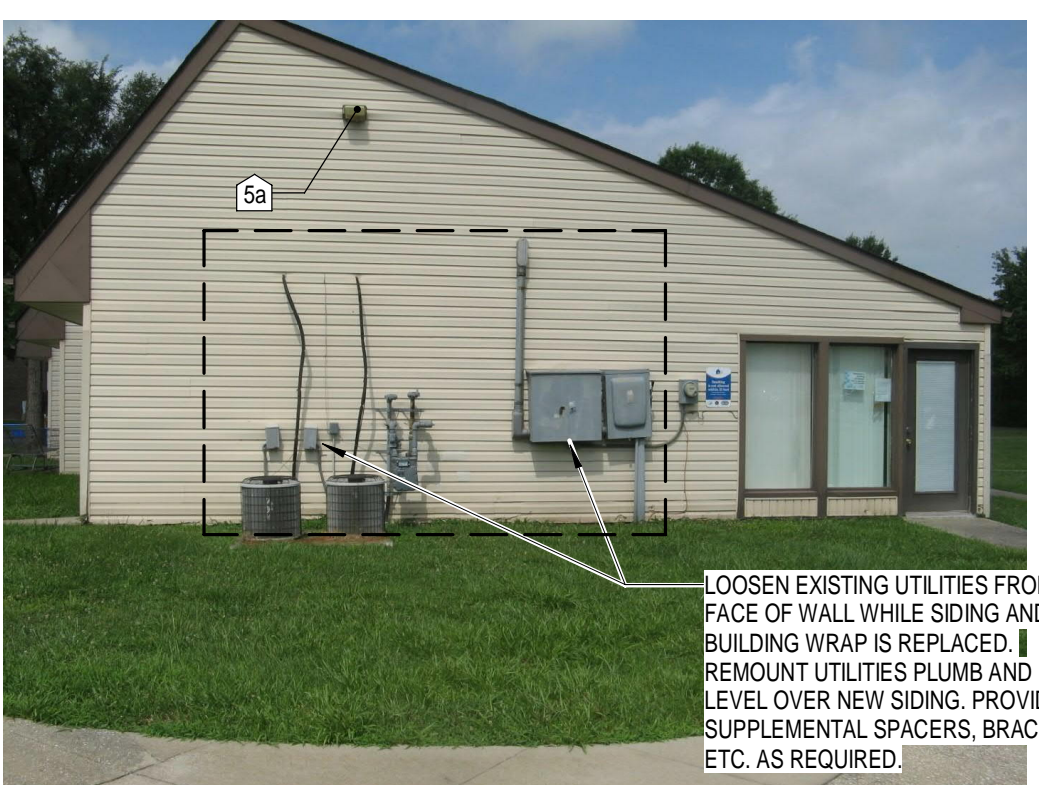
33



34



35



36

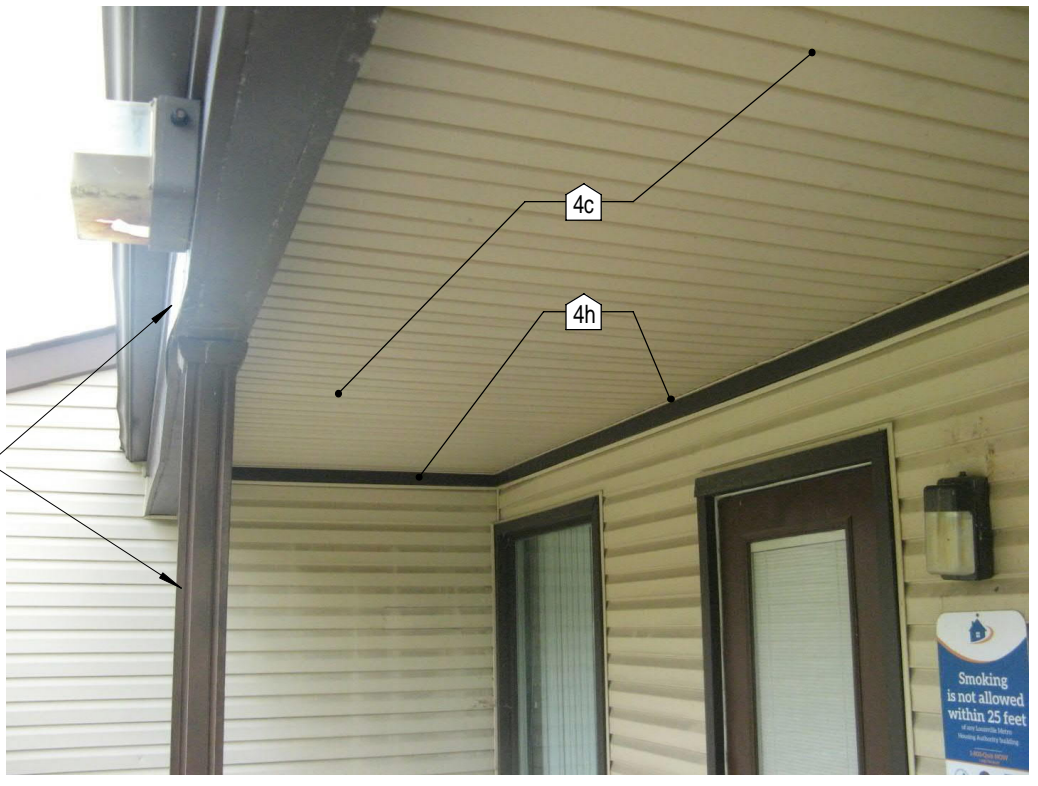
LOOSEN EXISTING UTILITIES FROM FACE OF WALL WHILE SIDING AND BUILDING WRAP IS REPLACED. REMOUNT UTILITIES PLUMB AND LEVEL OVER NEW SIDING. PROVIDE SUPPLEMENTAL SPACERS, BRACKETS, ETC. AS REQUIRED.



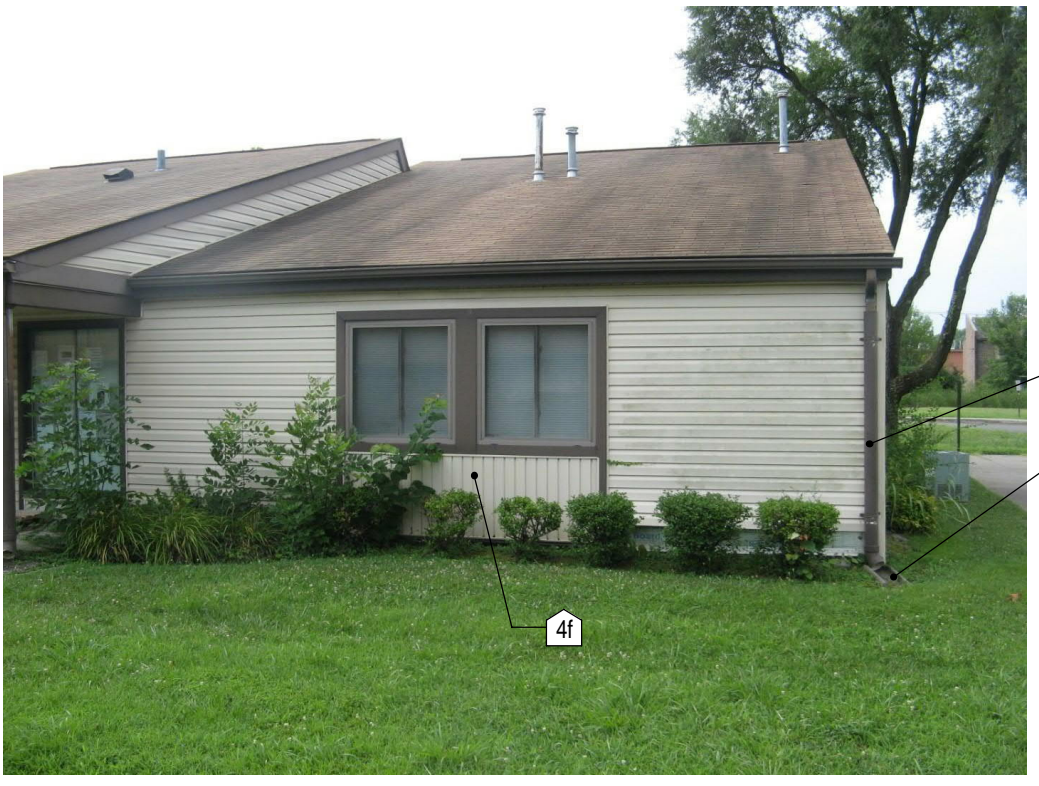
37



38



39



40



41

LOOSEN EXISTING UTILITIES FROM FACE OF WALL WHILE SIDING AND BUILDING WRAP IS REPLACED. REMOUNT UTILITIES PLUMB AND LEVEL OVER NEW SIDING. PROVIDE SUPPLEMENTAL SPACERS, BRACKETS, ETC. AS REQUIRED.



42



43



44



45



46



47



48

PHOTOGRAPHS ARE PROVIDED TO ASSIST WITH OVERALL PROJECT SCOPE AND DO NOT INDICATE A TAGE NOTE ON EVERY ITEM. REFER TO BUILDING ELEVATIONS AND BUILDING EXTERIOR GENERAL NOTES FOR ADDITIONAL INFORMATION.

GENERAL ELEVATION NOTES

- A. ELEVATIONS ARE INCLUDED FOR GENERAL INFORMATION ONLY. EXACT CONDITIONS WILL VARY. REFER TO PHOTOS. SOME ELEVATIONS MAY BE SHOWN OPPOSITE HAND. CONTRACTOR TO CONFIRM CONDITIONS, PLACEMENTS AND APPLIED FIXTURES / UTILITIES IN FIELD.
- B. EXISTING UTILITY ITEMS (GAS METERS, PIPING, PANEL BOXES, CONDUIT, COMPRESSORS, DISCONNECT BOXES, HOSE BIBS, ETC.) ARE NOT INDICATED IN ALL PLACES ON THE DRAWINGS. CONTRACTOR TO CONFIRM LOCATIONS IN THE FIELD AND COORDINATE WORK/INSTALLATION AS NECESSARY.
- C. REFER TO GENERAL NOTES ON SHEET S-1 FOR NOTES ON SIGNAGE AND ADDITIONAL WALL SHEATHING.
- D. FIBER CEMENT TRIM SIZES ARE GIVEN IN NOMINAL DIMENSIONS.
- E. EXISTING STORM DOORS (NOT SHOWN IN ELEVATIONS) SHALL REMAIN IN PLACE. PROTECT DURING CONSTRUCTION. REFER TO DETAIL 13/A-4 FOR NEW FLASHING OVER EXISTING DOORS AT NEW SIDING.
- F. REFER TO DETAIL 5/A-4 FOR TYPICAL CONSTRUCTION OF WINDOW JAMB TRIM AT WINDOWS FIRST AND SECOND FLOOR, SILL SIM AT SECOND FLOOR.
- G. REFER TO TYPICAL FIBER CEMENT NOTES ON SHEET A-4 FOR FLASHING AT FIBER CEMENT TRIM PIECES

ELEVATION AND PHOTO DEMOLITION AND NEW WORK KEY NOTES

- GENERAL:**
- 1a EXISTING ROOFING TO REMAIN. PROTECT, TYP.
 - 1b INTERIOR WALL SEPARATING UNITS SHOWN DASHED FOR REFERENCE, TYP.
 - 1c EXISTING WINDOW TO REMAIN, PROTECT, TYP. REMOVE EXISTING SEALANT AND PROVIDE NEW SEALANT AT PERIMETER OF WINDOW AND AT NEW TRIM.
 - 1d EXISTING DOOR AND FRAME TO REMAIN. PROTECT, TYP.
 - 1e SIGNAGE, REFER TO GENERAL NOTE C (THIS SHEET)
- MASONRY:**
- 2a EXISTING BRICK TO REMAIN. PROTECT, TYP.
 - 2b EXISTING CONCRETE STOOP TO REMAIN. PROTECT. REFER TO KEYNOTE 4b WHERE REQUIRED.
 - 2c EXISTING BRICK ROWLOCK SILL TO REMAIN, REPAIR / TUCKPOINT AS REQUIRED.
- DRAINAGE AND GRADE:**
- 3a EXISTING GUTTERS AND DOWNSPOUTS TO BE REMOVED. CAST IRON BOOTS AND / OR PVC EXTENSIONS TO REMAIN. PROVIDE NEW ALUMINUM GUTTERS AND DOWNSPOUTS TO MATCH EXISTING SIZE. COLOR TO BE SELECTED BY OWNER. INSTALL DOWNSPOUTS IN SAME LOCATIONS AND CONNECT TO EXISTING CAST IRON AND / OR PVC.

- 3b STRAIGHTEN EXISTING PVC EXTENSIONS AND / OR CAST IRON DOWNSPOUT BOOTS.
 - 3c EXISTING CONCRETE SPLASHBLOCKS TO REMAIN. PROVIDE NEW WHERE SPLASHBLOCKS ARE MISSING. REFER TO SITE NOTES
- TRIM AND SIDING:**
- 4a NEW FIBER CEMENT TRIM BOARD, SIZE SHOWN. PAINT.
 - 4b REMOVE EXISTING SCREEN WALL. PROVIDE NEW SCREEN PER DETAIL 1/A-4 PATCH HOLES IN CONCRETE STOOP WITH EPOXY REPAIR MORTAR, TYP.
 - 4c REMOVE EXISTING SOFFIT AND EDGE TRIM. PROVIDE NEW PERFORATED FIBER CEMENT SOFFIT WITH SEALANT AT PERIMETER.
 - 4d REMOVE EXISTING SIDING AND BUILDING WRAP. PROVIDE NEW BUILDING WRAP TAPE / CAULK FULL PERIMETER OF ALL EXISTING OPENINGS. PROVIDE BUILDING WRAP FLASHING AT PERIMETER OF EXISTING OPENINGS PER MANUFACTURER'S PRINTED INSTRUCTIONS. REPAIR ANY TEARS / PUNCTURES PRIOR TO OR DURING SIDING INSTALLATION. PROVIDE NEW VINYL SIDING (PRE-FINISHED FIBER CEMENT SIDING AT NORBROOK SITE) PER MANUFACTURER'S PRINTED INSTRUCTIONS.
 - 4e REMOVE EXISTING INFILL PANEL REPLACE PER DETAIL 9/A-4

- 4f REMOVE EXISTING INFILL PANEL, PERIMETER TRIM, AND SHEATHING. INSPECT INTERIOR FRAMING FOR ROT. REMOVE ROTTED MEMBERS AND REPLACE WITH NEW WOOD FRAMING AS NECESSARY. WORK TO OCCUR FROM EXTERIOR SIDE ONLY. INFILL OPENING WITH NEW SHEATHING (THICKNESS TO MATCH EXISTING) AND NEW HOUSE-WRAP. RUN NEW FIBER CEMENT SIDING CONTINUOUS WITH ADJACENT SIDING.
- 4g REMOVE EXISTING FASCIA AND RAKES AND ASSOCIATED CLADDING. PROVIDE NEW 4x4 FIBER CEMENT FASCIA AND RAKES. MATCH EXISTING SIZE. PAINT
- 4h REMOVE EXISTING TRIM. REPLACE WITH NEW FIBER CEMENT BOARD TRIM, MATCH SIZE, PAINT.
- 4i NOT USED
- 4k REMOVE EXISTING CORNER TRIM. PROVIDE NEW FIBER CEMENT CORNER TRIM, PAINT. REFER TO DETAIL 6/A-4
- 4m REMOVE EXISTING INSIDE CORNER TRIM. PROVIDE NEW FIBER CEMENT INSIDE CORNER TRIM, PAINT. REFER TO DETAIL 7/A-4
- 4n REMOVE EXISTING TRIM AT BRICK VENEER. PROVIDE NEW FIBER CEMENT TRIM, PAINT. REFER TO DETAIL 4/A-4
- 4p REMOVE EXISTING VERTICAL VINYL SIDING. PROVIDE NEW FIBER CEMENT WALL PANEL (SMOOTH FINISH), PAINT, WITH FRY REGLET J CHANNEL (BASIS OF DESIGN) AT PERIMETER AND SEALANT.

- UTILITIES:**
- 5a REMOVE EXISTING LIGHT FIXTURE AND REPLACE WITH NEW. CONTRACTOR TO CONFIRM PROPER OPERATION. REFER TO M-E DRAWINGS. PROVIDE FIBER CEMENT BACKING PLATE.
 - 5b REFRIGERANT PIPING TO BE REPLACED. REFER TO MECHANICAL. INSTALLATION OF NEW HORIZONTAL INSULATED REFRIGERANT PIPING TO BE CONCEALED WITHIN EXISTING SOFFIT. REFER TO DETAIL 11/A-4. LOCATION OF REFRIGERANT PIPING VARIES, CONFIRM IN FIELD.
 - 5c NOT USED
 - 5d EXISTING REFRIGERANT PIPING TO REMAIN. LOOSEN FROM FACE OF BUILDING FOR REPLACEMENT OF SIDING AND BUILDING WRAP. REPLACE INSULATION JACKET ON REFRIGERANT PIPING AND PROVIDE BRACKETS AS REQUIRED FOR REATTACHMENT.
 - 5e REMOVE AND REPLACE EXISTING MECHANICAL LOUVER WITH NEW PRE-FINISHED LOUVER TO MATCH DIMENSIONS, PROFILE AND FUNCTION OF EXISTING.
 - 5f EXISTING UTILITIES TO REMAIN.
 - 5g REMOVE EXISTING AUDIO/VISUAL ALARM AND REPLACE WITH NEW AUDIO/VISUAL ALARM. REFER TO M-E DRAWINGS. PROVIDE FIBER CEMENT MOUNTING BLOCK.
 - 5h CONTRACTOR TO COORDINATE WITH CABLE, SATELLITE, PHONE, (ETC) PROVIDERS TO REWIRE SERVICE TO AVOID EXPOSURE ON EXTERIOR OF BUILDING. REMOVE UNUSED WIRING.
 - 5j REMOVE EXISTING AND PROVIDE NEW SOFFIT VENT FROM EXHAUST FAN OR OTHER DEVICE.

NOTE: ALL NOTES MAY NOT BE USED ON THIS SHEET.

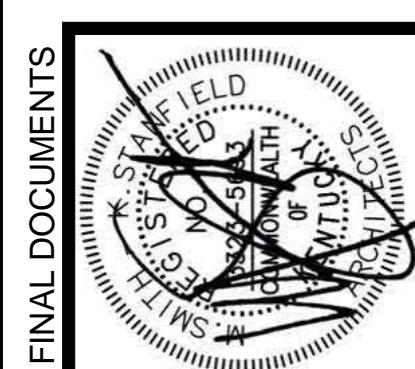
JOB NO.	1966
DATE	Feb 9, 2021
DRAWN	AN, RTP
CHECKED	BKL

COPYRIGHT © 2021 SHERMAN CARTER BARNHART ARCHITECTS, PLLC

REVISIONS		
Type	No.	Date

SHEET

P-10



FINAL DOCUMENTS

LMHA NOLTEMAYER WYNDE SIDING REPLACEMENT
 4500 NOLTEMAYER WYNDE COURT
 LOUISVILLE KY. 40219
 LMHA PROPOSAL NO. 1539

NOLTEMAYER WYNDE PHOTOS

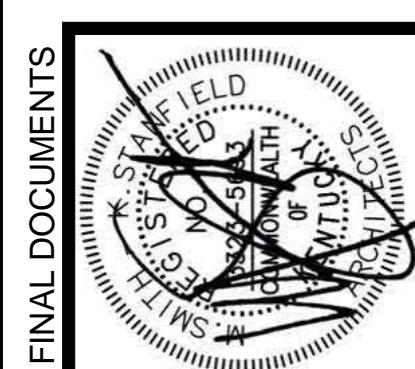


REFER TO SITE NOTE FOR FILL AT AREAS OF PONDING

PHOTOGRAPHS ARE PROVIDED TO ASSIST WITH OVERALL PROJECT SCOPE AND DO NOT INDICATE A TAGE NOTE ON EVERY ITEM. REFER TO BUILDING ELEVATIONS AND BUILDING EXTERIOR GENERAL NOTES FOR ADDITIONAL INFORMATION.

GENERAL ELEVATION NOTES		ELEVATION AND PHOTO DEMOLITION AND NEW WORK KEY NOTES																															
<p>A. ELEVATIONS ARE INCLUDED FOR GENERAL INFORMATION ONLY. EXACT CONDITIONS WILL VARY. REFER TO PHOTOS. SOME ELEVATIONS MAY BE SHOWN OPPOSITE HAND. CONTRACTOR TO CONFIRM CONDITIONS, PLACEMENTS AND APPLIED FIXTURES / UTILITIES IN FIELD.</p> <p>B. EXISTING UTILITY ITEMS (GAS METERS, PIPING, PANEL BOXES, CONDUIT, COMPRESSORS, DISCONNECT BOXES, HOSE BIBS, ETC.) ARE NOT INDICATED IN ALL PLACES ON THE DRAWINGS. CONTRACTOR TO CONFIRM LOCATIONS IN THE FIELD AND COORDINATE WORK / INSTALLATION AS NECESSARY.</p> <p>C. REFER TO GENERAL NOTES ON SHEET S-1 FOR NOTES ON SIGNAGE AND ADDITIONAL WALL SHEATHING.</p> <p>D. FIBER CEMENT TRIM SIZES ARE GIVEN IN NOMINAL DIMENSIONS.</p> <p>E. EXISTING STORM DOORS (NOT SHOWN IN ELEVATIONS) SHALL REMAIN IN PLACE. PROTECT DURING CONSTRUCTION. REFER TO DETAIL 13 / A-4 FOR NEW FLASHING OVER EXISTING DOORS AT NEW SIDING.</p> <p>F. REFER TO DETAIL 5 / A-4 FOR TYPICAL CONSTRUCTION OF WINDOW JAMB TRIM AT WINDOWS FIRST AND SECOND FLOOR. SILL SIM AT SECOND FLOOR.</p> <p>G. REFER TO TYPICAL FIBER CEMENT NOTES ON SHEET A-4 FOR FLASHING AT FIBER CEMENT TRIM PIECES</p>	<p>GENERAL:</p> <p>1a EXISTING ROOFING TO REMAIN. PROTECT, TYP.</p> <p>1b INTERIOR WALL SEPARATING UNITS SHOWN DASHED FOR REFERENCE, TYP.</p> <p>1c EXISTING WINDOW TO REMAIN, PROTECT, TYP. REMOVE EXISTING SEALANT AND PROVIDE NEW SEALANT AT PERIMETER OF WINDOW AND AT NEW TRIM.</p> <p>1d EXISTING DOOR AND FRAME TO REMAIN. PROTECT, TYP.</p> <p>1e SIGNAGE, REFER TO GENERAL NOTE C (THIS SHEET)</p> <p>MASONRY:</p> <p>2a EXISTING BRICK TO REMAIN. PROTECT, TYP.</p> <p>2b EXISTING CONCRETE STOOP TO REMAIN. PROTECT. REFER TO KEYNOTE 4b WHERE REQUIRED.</p> <p>2c EXISTING BRICK ROWLOCK SILL TO REMAIN, REPAIR / TUCKPOINT AS REQUIRED.</p> <p>DRAINAGE AND GRADE:</p> <p>3a EXISTING GUTTERS AND DOWNSPOUTS TO BE REMOVED. CAST IRON BOOTS AND / OR PVC EXTENSIONS TO REMAIN. PROVIDE NEW ALUMINUM GUTTERS AND DOWNSPOUTS TO MATCH EXISTING SIZE. COLOR TO BE SELECTED BY OWNER. INSTALL DOWNSPOUTS IN SAME LOCATIONS AND CONNECT TO EXISTING CAST IRON AND / OR PVC.</p>	<p>3b STRAIGHTEN EXISTING PVC EXTENSIONS AND / OR CAST IRON DOWNSPOUT BOOTS.</p> <p>3c EXISTING CONCRETE SPLASHBLOCKS TO REMAIN. PROVIDE NEW WHERE SPLASHBLOCKS ARE MISSING. REFER TO SITE NOTES</p> <p>TRIM AND SIDING:</p> <p>4a NEW FIBER CEMENT TRIM BOARD, SIZE SHOWN, PAINT.</p> <p>4b REMOVE EXISTING SCREEN WALL. PROVIDE NEW SCREEN PER DETAIL 1 / A-4 PATCH HOLES IN CONCRETE STOOP WITH EPOXY REPAIR MORTAR, TYP.</p> <p>4c REMOVE EXISTING SOFFIT AND EDGE TRIM. PROVIDE NEW PERFORATED FIBER CEMENT SOFFIT WITH SEALANT AT PERIMETER.</p> <p>4d REMOVE EXISTING SIDING AND BUILDING WRAP. PROVIDE NEW BUILDING WRAP TAPE / CAULK FULL PERIMETER OF ALL EXISTING OPENINGS. PROVIDE BUILDING WRAP FLASHING AT PERIMETER OF EXISTING OPENINGS PER MANUFACTURER'S PRINTED INSTRUCTIONS. REPAIR ANY TEARS / PUNCTURES PRIOR TO OR DURING SIDING INSTALLATION. PROVIDE NEW VINYL SIDING (PREFINISHED FIBER CEMENT SIDING AT NORBROOK SITE) PER MANUFACTURER'S PRINTED INSTRUCTIONS.</p> <p>4e REMOVE EXISTING INFILL PANEL REPLACE PER DETAIL 9 / A-4</p>	<p>4f REMOVE EXISTING INFILL PANEL, PERIMETER TRIM, AND SHEATHING. INSPECT INTERIOR FRAMING FOR ROT. REMOVE ROTTED MEMBERS AND REPLACE WITH NEW WOOD FRAMING AS NECESSARY. WORK TO OCCUR FROM EXTERIOR SIDE ONLY. INFILL OPENING WITH NEW SHEATHING (THICKNESS TO MATCH EXISTING) AND NEW HOUSE-WRAP. RUN NEW FIBER CEMENT SIDING CONTINUOUS WITH ADJACENT SIDING.</p> <p>4g NEW FIBER CEMENT FASCIAS AND RAKES AND ASSOCIATED CLADDING. PROVIDE NEW 4x4 FIBER CEMENT FASCIAS AND RAKES. MATCH EXISTING SIZE, PAINT</p> <p>4h REMOVE EXISTING TRIM. REPLACE WITH NEW FIBER CEMENT BOARD TRIM, MATCH SIZE, PAINT.</p> <p>4j NOT USED</p> <p>4k REMOVE EXISTING CORNER TRIM. PROVIDE NEW FIBER CEMENT CORNER TRIM, PAINT. REFER TO DETAIL 6 / A-4</p> <p>4m REMOVE EXISTING INSIDE CORNER TRIM. PROVIDE NEW FIBER CEMENT INSIDE CORNER TRIM, PAINT. REFER TO DETAIL 7 / A-4</p> <p>4n REMOVE EXISTING TRIM AT BRICK VENEER. PROVIDE NEW FIBER CEMENT TRIM, PAINT. REFER TO DETAIL 4 / A-4</p> <p>4p REMOVE EXISTING VERTICAL VINYL SIDING. PROVIDE NEW FIBER CEMENT WALL PANEL (SMOOTH FINISH), PAINT, WITH FRY REGLET J CHANNEL (BASIS OF DESIGN) AT PERIMETER AND SEALANT.</p>	<p>UTILITIES:</p> <p>5a REMOVE EXISTING LIGHT FIXTURE AND REPLACE WITH NEW. CONTRACTOR TO CONFIRM PROPER OPERATION. REFER TO M-E DRAWINGS. PROVIDE FIBER CEMENT BACKING PLATE.</p> <p>5b REFRIGERANT PIPING TO BE REPLACED. REFER TO MECHANICAL. INSTALLATION OF NEW HORIZONTAL INSULATED REFRIGERANT PIPING TO BE CONCEALED WITHIN EXISTING SOFFIT. REFER TO DETAIL 11 / A-4. LOCATION OF REFRIGERANT PIPING VARIES, CONFIRM IN FIELD.</p> <p>5c NOT USED</p> <p>5d EXISTING REFRIGERANT PIPING TO REMAIN. LOOSEN FROM FACE OF BUILDING FOR REPLACEMENT OF SIDING AND BUILDING WRAP. REPLACE INSULATION JACKET ON REFRIGERANT PIPING AND PROVIDE BRACKETS AS REQUIRED FOR REATTACHMENT.</p> <p>5e REMOVE AND REPLACE EXISTING MECHANICAL LOUVER WITH NEW PRE-FINISHED LOUVER TO MATCH DIMENSIONS, PROFILE AND FUNCTION OF EXISTING.</p> <p>5f EXISTING UTILITIES TO REMAIN.</p> <p>5g REMOVE EXISTING AUDIO/VISUAL ALARM AND REPLACE WITH NEW AUDIO/VISUAL ALARM. REFER TO M-E DRAWINGS. PROVIDE FIBER CEMENT MOUNTING BLOCK.</p> <p>5h CONTRACTOR TO COORDINATE WITH CABLE, SATELLITE, PHONE, (ETC) PROVIDERS TO REWIRE SERVICE TO AVOID EXPOSURE ON EXTERIOR OF BUILDING. REMOVE UNUSED WIRING.</p> <p>5j REMOVE EXISTING AND PROVIDE NEW SOFFIT VENT FROM EXHAUST FAN OR OTHER DEVICE.</p>																													
	<p>NOTE: ALL NOTES MAY NOT BE USED ON THIS SHEET.</p>																																
	<p>REVISIONS</p> <table border="1"> <thead> <tr> <th>Type</th> <th>No.</th> <th>Date</th> </tr> </thead> <tbody> <tr> <td> </td> <td> </td> <td> </td> </tr> <tr> <td> </td> <td> </td> <td> </td> </tr> <tr> <td> </td> <td> </td> <td> </td> </tr> <tr> <td> </td> <td> </td> <td> </td> </tr> <tr> <td> </td> <td> </td> <td> </td> </tr> <tr> <td> </td> <td> </td> <td> </td> </tr> <tr> <td> </td> <td> </td> <td> </td> </tr> <tr> <td> </td> <td> </td> <td> </td> </tr> <tr> <td> </td> <td> </td> <td> </td> </tr> </tbody> </table>				Type	No.	Date																										
Type	No.	Date																															

JOB NO.	1966	
DATE	Feb 9, 2021	
DRAWN	AN, RTP	
CHECKED	BKL	
COPYRIGHT © 2021 SHERMAN CARTER BARNHART ARCHITECTS, PLLC		
REVISIONS		
Type	No.	Date
SHEET		
P-1D		



FINAL DOCUMENTS

LMHA NOLTEMAYER WYNDE SIDING REPLACEMENT
 4500 NOLTEMAYER WYNDE COURT
 LOUISVILLE KY. 40219
 LMHA PROPOSAL NO. 1539

NOLTEMAYER WYNDE PHOTOS



65



66



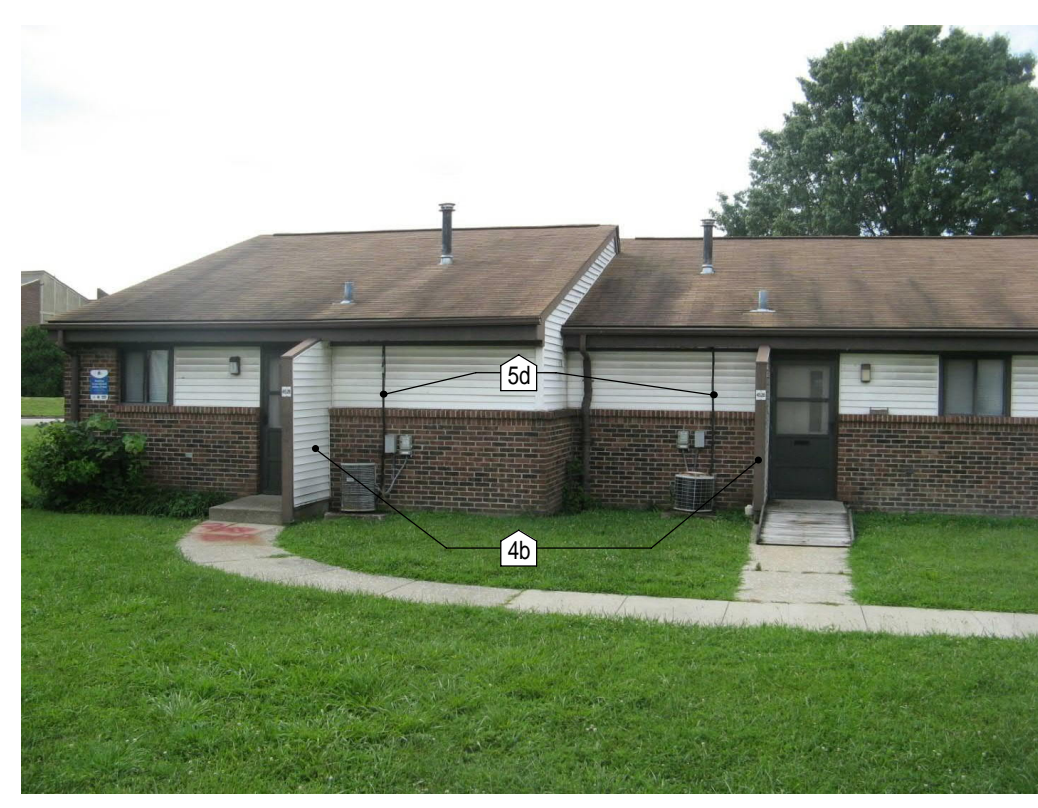
67



68



69



70



71



72



73



74



75



76



77



78



79



80

PHOTOGRAPHS ARE PROVIDED TO ASSIST WITH OVERALL PROJECT SCOPE AND DO NOT INDICATE A TAGE NOTE ON EVERY ITEM. REFER TO BUILDING ELEVATIONS AND BUILDING EXTERIOR GENERAL NOTES FOR ADDITIONAL INFORMATION.

GENERAL ELEVATION NOTES

- A. ELEVATIONS ARE INCLUDED FOR GENERAL INFORMATION ONLY. EXACT CONDITIONS WILL VARY. REFER TO PHOTOS. SOME ELEVATIONS MAY BE SHOWN OPPOSITE HAND. CONTRACTOR TO CONFIRM CONDITIONS, PLACEMENTS AND APPLIED FIXTURES / UTILITIES IN FIELD.
- B. EXISTING UTILITY ITEMS (GAS METERS, PIPING, PANEL BOXES, CONDUIT, COMPRESSORS, DISCONNECT BOXES, HOSE BIBS, ETC.) ARE NOT INDICATED IN ALL PLACES ON THE DRAWINGS. CONTRACTOR TO CONFIRM LOCATIONS IN THE FIELD AND COORDINATE WORK / INSTALLATION AS NECESSARY.
- C. REFER TO GENERAL NOTES ON SHEET S-1 FOR NOTES ON SIGNAGE AND ADDITIONAL WALL SHEATHING.
- D. FIBER CEMENT TRIM SIZES ARE GIVEN IN NOMINAL DIMENSIONS.
- E. EXISTING STORM DOORS (NOT SHOWN IN ELEVATIONS) SHALL REMAIN IN PLACE. PROTECT DURING CONSTRUCTION. REFER TO DETAIL 13 / A-4 FOR NEW FLASHING OVER EXISTING DOORS AT NEW SIDING.
- F. REFER TO DETAIL 5 / A-4 FOR TYPICAL CONSTRUCTION OF WINDOW JAMB TRIM AT WINDOWS FIRST AND SECOND FLOOR, SILL SIM AT SECOND FLOOR.
- G. REFER TO TYPICAL FIBER CEMENT NOTES ON SHEET A-4 FOR FLASHING AT FIBER CEMENT TRIM PIECES

ELEVATION AND PHOTO DEMOLITION AND NEW WORK KEY NOTES

- GENERAL:**
- 1a EXISTING ROOFING TO REMAIN. PROTECT, TYP.
 - 1b INTERIOR WALL SEPARATING UNITS SHOWN DASHED FOR REFERENCE, TYP.
 - 1c EXISTING WINDOW TO REMAIN, PROTECT, TYP. REMOVE EXISTING SEALANT AND PROVIDE NEW SEALANT AT PERIMETER OF WINDOW AND AT NEW TRIM.
 - 1d EXISTING DOOR AND FRAME TO REMAIN. PROTECT, TYP.
 - 1e SIGNAGE, REFER TO GENERAL NOTE C (THIS SHEET)
- MASONRY:**
- 2a EXISTING BRICK TO REMAIN. PROTECT, TYP.
 - 2b EXISTING CONCRETE STOOP TO REMAIN. PROTECT. REFER TO KEYNOTE 4b WHERE REQUIRED.
 - 2c EXISTING BRICK ROWLOCK SILL TO REMAIN, REPAIR / TUCKPOINT AS REQUIRED.
- DRAINAGE AND GRADE:**
- 3a EXISTING GUTTERS AND DOWNSPOUTS TO BE REMOVED. CAST IRON BOOTS AND / OR PVC EXTENSIONS TO REMAIN. PROVIDE NEW ALUMINUM GUTTERS AND DOWNSPOUTS TO MATCH EXISTING SIZE. COLOR TO BE SELECTED BY OWNER. INSTALL DOWNSPOUTS IN SAME LOCATIONS AND CONNECT TO EXISTING CAST IRON AND / OR PVC.

- 3b STRAIGHTEN EXISTING PVC EXTENSIONS AND / OR CAST IRON DOWNSPOUT BOOTS.
 - 3c EXISTING CONCRETE SPLASHBLOCKS TO REMAIN. PROVIDE NEW WHERE SPLASHBLOCKS ARE MISSING. REFER TO SITE NOTES
- TRIM AND SIDING:**
- 4a NEW FIBER CEMENT TRIM BOARD. SIZE SHOWN. PAINT.
 - 4b REMOVE EXISTING SCREEN WALL. PROVIDE NEW SCREEN PER DETAIL 1 / A-4 PATCH HOLES IN CONCRETE STOOP WITH EPOXY REPAIR MORTAR, TYP.
 - 4c REMOVE EXISTING SOFFIT AND EDGE TRIM. PROVIDE NEW PERFORATED FIBER CEMENT SOFFIT WITH SEALANT AT PERIMETER.
 - 4d REMOVE EXISTING SIDING AND BUILDING WRAP. PROVIDE NEW BUILDING WRAP TAPE / CAULK FULL PERIMETER OF ALL EXISTING OPENINGS. PROVIDE BUILDING WRAP FLASHING AT PERIMETER OF EXISTING OPENINGS PER MANUFACTURER'S PRINTED INSTRUCTIONS. REPAIR ANY TEARS / PUNCTURES PRIOR TO OR DURING SIDING INSTALLATION. PROVIDE NEW VINYL SIDING (PRE-FINISHED FIBER CEMENT SIDING AT NORBROOK SITE) PER MANUFACTURER'S PRINTED INSTRUCTIONS.
 - 4e REMOVE EXISTING INFILL PANEL REPLACE PER DETAIL 9 / A-4

- 4f REMOVE EXISTING INFILL PANEL, PERIMETER TRIM, AND SHEATHING. INSPECT INTERIOR FRAMING FOR ROT. REMOVE ROTTED MEMBERS AND REPLACE WITH NEW WOOD FRAMING AS NECESSARY. WORK TO OCCUR FROM EXTERIOR SIDE ONLY. INFILL OPENING WITH NEW SHEATHING (THICKNESS TO MATCH EXISTING) AND NEW HOUSE-WRAP. RUN NEW FIBER CEMENT SIDING CONTINUOUS WITH ADJACENT SIDING.
- 4g REMOVE EXISTING FASCIAS AND RAKES AND ASSOCIATED CLADDING. PROVIDE NEW 4x4 FIBER CEMENT FASCIAS AND RAKES. MATCH EXISTING SIZE. PAINT
- 4h REMOVE EXISTING TRIM. REPLACE WITH NEW FIBER CEMENT BOARD TRIM, MATCH SIZE, PAINT.
- 4j NOT USED
- 4k REMOVE EXISTING CORNER TRIM. PROVIDE NEW FIBER CEMENT CORNER TRIM, PAINT. REFER TO DETAIL 6 / A-4
- 4m REMOVE EXISTING INSIDE CORNER TRIM. PROVIDE NEW FIBER CEMENT INSIDE CORNER TRIM, PAINT. REFER TO DETAIL 7 / A-4
- 4n REMOVE EXISTING TRIM AT BRICK VENEER. PROVIDE NEW FIBER CEMENT TRIM, PAINT. REFER TO DETAIL 4 / A-4
- 4p REMOVE EXISTING VERTICAL VINYL SIDING. PROVIDE NEW FIBER CEMENT WALL PANEL (SMOOTH FINISH), PAINT, WITH FRY REGLET J CHANNEL (BASIS OF DESIGN) AT PERIMETER AND SEALANT.

- UTILITIES:**
- 5a REMOVE EXISTING LIGHT FIXTURE AND REPLACE WITH NEW. CONTRACTOR TO CONFIRM PROPER OPERATION. REFER TO M-E DRAWINGS. PROVIDE FIBER CEMENT BACKING PLATE.
 - 5b REFRIGERANT PIPING TO BE REPLACED. REFER TO MECHANICAL. INSTALLATION OF NEW HORIZONTAL INSULATED REFRIGERANT PIPING TO BE CONCEALED WITHIN EXISTING SOFFIT. REFER TO DETAIL 11 / A-4. LOCATION OF REFRIGERANT PIPING VARIES, CONFIRM IN FIELD.
 - 5c NOT USED
 - 5d EXISTING REFRIGERANT PIPING TO REMAIN. LOOSEN FROM FACE OF BUILDING FOR REPLACEMENT OF SIDING AND BUILDING WRAP. REPLACE INSULATION JACKET ON REFRIGERANT PIPING AND PROVIDE BRACKETS AS REQUIRED FOR REATTACHMENT.
 - 5e REMOVE AND REPLACE EXISTING MECHANICAL LOUVER WITH NEW PRE-FINISHED LOUVER TO MATCH DIMENSIONS, PROFILE AND FUNCTION OF EXISTING.
 - 5f EXISTING UTILITIES TO REMAIN.
 - 5g REMOVE EXISTING AUDIO/VISUAL ALARM AND REPLACE WITH NEW AUDIO/VISUAL ALARM. REFER TO M-E DRAWINGS. PROVIDE FIBER CEMENT MOUNTING BLOCK.
 - 5h CONTRACTOR TO COORDINATE WITH CABLE, SATELLITE, PHONE, (ETC) PROVIDERS TO REWIRE SERVICE TO AVOID EXPOSURE ON EXTERIOR OF BUILDING. REMOVE UNUSED WIRING.
 - 5j REMOVE EXISTING AND PROVIDE NEW SOFFIT VENT FROM EXHAUST FAN OR OTHER DEVICE.

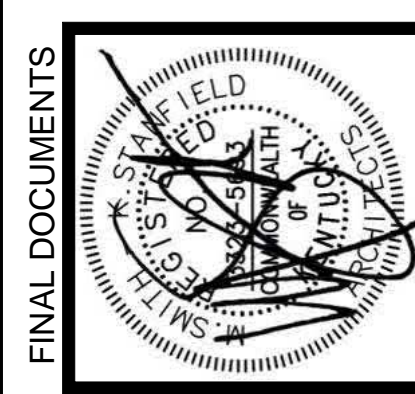
NOTE: ALL NOTES MAY NOT BE USED ON THIS SHEET.

JOB NO.	1966
DATE	Feb 9, 2021
DRAWN	RTP
CHECKED	BKL

COPYRIGHT © 2021 SHERMAN CARTER BARNHART ARCHITECTS, PLLC

REVISIONS		
Type	No.	Date

SHEET
P-1E



FINAL DOCUMENTS

LMHA NOLTEMAYER WYNDE SIDING REPLACEMENT
 4500 NOLTEMAYER WYNDE COURT
 LOUISVILLE KY. 40219
 LMHA PROPOSAL NO. 1539

NOLTEMAYER WYNDE PHOTOS

JOB NO.	1966
DATE	Feb 9, 2021
DRAWN	AN, RTP
CHECKED	BKL

COPYRIGHT © 2021 SHERMAN CARTER BARNHART ARCHITECTS, PLLC

REVISIONS		
Type	No.	Date

SHEET
P-1F



81



82



83



84



85



86



87



88



89



90



91



92



97



93



94



95



96

PHOTOGRAPHS ARE PROVIDED TO ASSIST WITH OVERALL PROJECT SCOPE AND DO NOT INDICATE A TAGE NOTE ON EVERY ITEM. REFER TO BUILDING ELEVATIONS AND BUILDING EXTERIOR GENERAL NOTES FOR ADDITIONAL INFORMATION.

GENERAL ELEVATION NOTES

- A. ELEVATIONS ARE INCLUDED FOR GENERAL INFORMATION ONLY. EXACT CONDITIONS WILL VARY. REFER TO PHOTOS. SOME ELEVATIONS MAY BE SHOWN OPPOSITE HAND. CONTRACTOR TO CONFIRM CONDITIONS, PLACEMENTS AND APPLIED FIXTURES / UTILITIES IN FIELD.
- B. EXISTING UTILITY ITEMS (GAS METERS, PIPING, PANEL BOXES, CONDUIT, COMPRESSORS, DISCONNECT BOXES, HOSE BIBS, ETC.) ARE NOT INDICATED IN ALL PLACES ON THE DRAWINGS. CONTRACTOR TO CONFIRM LOCATIONS IN THE FIELD AND COORDINATE WORK / INSTALLATION AS NECESSARY.
- C. REFER TO GENERAL NOTES ON SHEET S-1 FOR NOTES ON SIGNAGE AND ADDITIONAL WALL SHEATHING.
- D. FIBER CEMENT TRIM SIZES ARE GIVEN IN NOMINAL DIMENSIONS.
- E. EXISTING STORM DOORS (NOT SHOWN IN ELEVATIONS) SHALL REMAIN IN PLACE. PROTECT DURING CONSTRUCTION. REFER TO DETAIL 13 / A-4 FOR NEW FLASHING OVER EXISTING DOORS AT NEW SIDING.
- F. REFER TO DETAIL 5 / A-4 FOR TYPICAL CONSTRUCTION OF WINDOW JAMB TRIM AT WINDOWS FIRST AND SECOND FLOOR, SILL SIM AT SECOND FLOOR.
- G. REFER TO TYPICAL FIBER CEMENT NOTES ON SHEET A-4 FOR FLASHING AT FIBER CEMENT TRIM PIECES

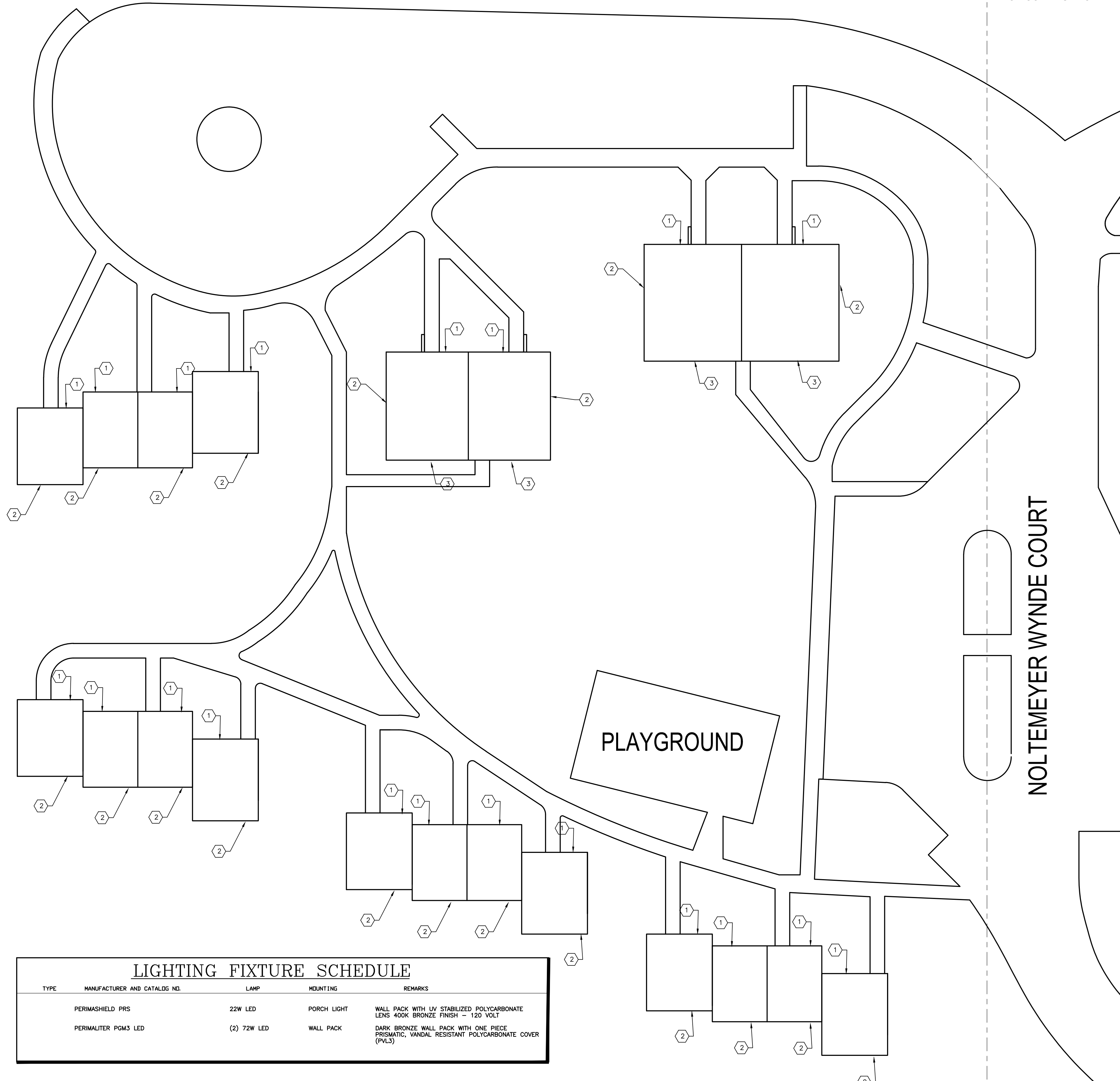
ELEVATION AND PHOTO DEMOLITION AND NEW WORK KEY NOTES

- GENERAL:**
- 1a EXISTING ROOFING TO REMAIN. PROTECT, TYP.
 - 1b INTERIOR WALL SEPARATING UNITS SHOWN DASHED FOR REFERENCE, TYP.
 - 1c EXISTING WINDOW TO REMAIN, PROTECT, TYP. REMOVE EXISTING SEALANT AND PROVIDE NEW SEALANT AT PERIMETER OF WINDOW AND AT NEW TRIM.
 - 1d EXISTING DOOR AND FRAME TO REMAIN. PROTECT, TYP.
 - 1e SIGNAGE, REFER TO GENERAL NOTE C (THIS SHEET)
- MASONRY:**
- 2a EXISTING BRICK TO REMAIN. PROTECT, TYP.
 - 2b EXISTING CONCRETE STOOP TO REMAIN. PROTECT. REFER TO KEYNOTE 4b WHERE REQUIRED.
 - 2c EXISTING BRICK ROWLOCK SILL TO REMAIN, REPAIR / TUCKPOINT AS REQUIRED.
- DRAINAGE AND GRADE:**
- 3a EXISTING GUTTERS AND DOWNSPOUTS TO BE REMOVED. CAST IRON BOOTS AND / OR PVC EXTENSIONS TO REMAIN. PROVIDE NEW ALUMINUM GUTTERS AND DOWNSPOUTS TO MATCH EXISTING SIZE. COLOR TO BE SELECTED BY OWNER. INSTALL DOWNSPOUTS IN SAME LOCATIONS AND CONNECT TO EXISTING CAST IRON AND / OR PVC.
 - 3b STRAIGHTEN EXISTING PVC EXTENSIONS AND / OR CAST IRON DOWNSPOUT BOOTS.
 - 3c EXISTING CONCRETE SPLASHBLOCKS TO REMAIN. PROVIDE NEW WHERE SPLASHBLOCKS ARE MISSING. REFER TO SITE NOTES
- TRIM AND SIDING:**
- 4a NEW FIBER CEMENT TRIM BOARD. SIZE SHOWN. PAINT.
 - 4b REMOVE EXISTING SCREEN WALL. PROVIDE NEW SCREEN PER DETAIL 1 / A-4 PATCH HOLES IN CONCRETE STOOP WITH EPOXY REPAIR MORTAR, TYP.
 - 4c REMOVE EXISTING SOFFIT AND EDGE TRIM. PROVIDE NEW PERFORATED FIBER CEMENT SOFFIT WITH SEALANT AT PERIMETER.
 - 4d REMOVE EXISTING SIDING AND BUILDING WRAP. PROVIDE NEW BUILDING WRAP TAPE / CAULK FULL PERIMETER OF ALL EXISTING OPENINGS. PROVIDE BUILDING WRAP FLASHING AT PERIMETER OF EXISTING OPENINGS PER MANUFACTURER'S PRINTED INSTRUCTIONS. REPAIR ANY TEARS / PUNCTURES PRIOR TO OR DURING SIDING INSTALLATION. PROVIDE NEW VINYL SIDING (PRE-FINISHED FIBER CEMENT SIDING AT NORBROOK SITE) PER MANUFACTURER'S PRINTED INSTRUCTIONS.
 - 4e REMOVE EXISTING INFILL PANEL REPLACE PER DETAIL 9 / A-4

- UTILITIES:**
- 5a REMOVE EXISTING LIGHT FIXTURE AND REPLACE WITH NEW. CONTRACTOR TO CONFIRM PROPER OPERATION. REFER TO M-E DRAWINGS. PROVIDE FIBER CEMENT BACKING PLATE.
 - 5b REFRIGERANT PIPING TO BE REPLACED. REFER TO MECHANICAL. INSTALLATION OF NEW HORIZONTAL INSULATED REFRIGERANT PIPING TO BE CONCEALED WITHIN EXISTING SOFFIT. REFER TO DETAIL 11 / A-4. LOCATION OF REFRIGERANT PIPING VARIES, CONFIRM IN FIELD.
 - 5c NOT USED
 - 5d EXISTING REFRIGERANT PIPING TO REMAIN. LOOSEN FROM FACE OF BUILDING FOR REPLACEMENT OF SIDING AND BUILDING WRAP. REPLACE INSULATION JACKET ON REFRIGERANT PIPING AND PROVIDE BRACKETS AS REQUIRED FOR REATTACHMENT.
 - 5e REMOVE AND REPLACE EXISTING MECHANICAL LOUVER WITH NEW PRE-FINISHED LOUVER TO MATCH DIMENSIONS, PROFILE AND FUNCTION OF EXISTING.
 - 5f EXISTING UTILITIES TO REMAIN.
 - 5g REMOVE EXISTING AUDIO/VISUAL ALARM AND REPLACE WITH NEW AUDIO/VISUAL ALARM. REFER TO M-E DRAWINGS. PROVIDE FIBER CEMENT MOUNTING BLOCK.
 - 5h CONTRACTOR TO COORDINATE WITH CABLE, SATELITE, PHONE, (ETC) PROVIDERS TO REWIRE SERVICE TO AVOID EXPOSURE ON EXTERIOR OF BUILDING. REMOVE UNUSED WIRING.
 - 5j REMOVE EXISTING AND PROVIDE NEW SOFFIT VENT FROM EXHAUST FAN OR OTHER DEVICE.

NOTE: ALL NOTES MAY NOT BE USED ON THIS SHEET.

REFER TO SHEET ME1.2
FOR CONTINUATION



MECHANICAL GENERAL NOTES

1. THE MECHANICAL CONTRACTOR SHALL BE FULLY LICENSED IN STATE OF KY. THE MECHANICAL CONTRACTOR SHALL TEST EACH AIR CONDITIONER NOTED TO GET NEW REFRIGERANT LINES FOR PROPER OPERATION PRIOR TO DEMOLITION. AIR CONDITIONING COMPRESSORS SHALL BE CHECKED TO CONFIRM THEY ACHIEVE COMPRESSION PRESSURES THAT ARE WITHIN MANUFACTURERS OPERATIONAL TOLERANCES. AIR CONDITIONING UNITS SHALL BE CHECKED FOR LEAKS. EVAPORATOR COILS AND CONDENSING COILS SHALL BE THOROUGHLY CLEANED.
2. THE CONTRACTOR SHALL REPORT ANY DEFECTIVE UNITS TO OWNER AND ENGINEER PRIOR TO ANY FURTHER WORK. ALL AIR CONDITIONING UNITS ARE EXPECTED TO BE FULLY OPERATIONAL AND ACHIEVE PROPER LEAVING AIR TEMPERATURES WHEN COMPLETE. ALL DEFECTS PRIOR TO START SHALL BE REPORTED AND REPAIRED AS DIRECTED.
3. MECHANICAL CONTRACTOR SHALL REMOVE ALL EXISTING EXTERIOR REFRIGERANT LINES ON UNITS NOTED TO GET NEW EXTERIOR LINES. THE REFRIGERANT LINES SHALL BE CAPPED AT WALL PENETRATION AND CONDENSER AND SEALED UNTIL NEW REFRIGERANT LINES ARE INSTALLED. SYSTEM CLEANLINESS SHALL BE MAINTAINED. THE REFRIGERANT SHALL BE EVACUATED, RECOVERED AND RECYCLED BY APPROVED LICENSED COMPANY.
4. NEW REFRIGERANT LINES SHALL BE INSTALLED AND CONCEALED WITHIN BUILDING WALLS TO ACHIEVE MINIMALLY EXPOSED REFRIGERANT LINES. NEW LINES SHALL BE EXPOSED ONLY FROM WALL TO CONDENSING UNIT. SPLICE REFRIGERANT LINE AT PREVIOUS WALL PENETRATION. REFRIGERANT LINES SHALL BE TYPE "K" OR TYPE "AGR." PIPING SHALL BE INSTALLED BY QUALIFIED LICENSED CONTRACTOR IN ACCORDANCE TO ASHRAE STANDARD 15. REFRIGERANT SUCTION LINE SHALL BE INSULATED. INSULATION EXPOSED TO WEATHER SHALL BE WRAPPED WITH PROTECTIVE "VENTURE CLAD" OR EQUIVALENT TAPE COVER. WALL PENETRATIONS SHALL BE SEALED.
5. AIR CONDITIONING UNITS RECEIVING NEW REFRIGERANT LINES SHALL BE RECHARGED BY LICENSED CONTRACTOR PER MANUFACTURERS INSTRUCTIONS. PRIOR TO CHARGING, THE SYSTEM SHALL BE EVACUATED AND TESTED FOR LEAKS. NEW REFRIGERATION OIL SHALL BE INSTALLED PER MANUFACTURERS SPECIFICATION. A NEW REFRIGERANT FILTER/DRYER SHALL BE INSTALLED. EACH SYSTEM SHALL BE CHECKED FOR PROPER OPERATION. REFRIGERANT SAFETIES (HIGH AND LOW PRESSURE SWITCHES) SHALL BE TESTED AND CONFIRMED TO BE FULLY OPERATIONAL.
6. MECHANICAL CONTRACTOR SHALL REPLACE ALL EXISTING DRYER VENT CAPS. VENT CAPS SHALL BE METAL CAP COLOR AS SELECTED BY ARCHITECT.
7. ALL WORK SHALL BE WARRANTED FOR 1 YEAR PARTS AND LABOR.

ELECTRICAL GENERAL NOTES

1. THE ELECTRICAL CONTRACTOR SHALL BE FULLY LICENSED IN THE STATE OF KY. THE ELECTRICAL CONTRACTOR SHALL REMOVE AND REPLACE EXISTING LIGHT FIXTURES AS INDICATED. EXISTING WIRING SHALL BE REUSED. NEW LIGHTS SHALL BE INSTALLED TO EXISTING JUNCTION BOX. PROVIDE BOX SPACER IF NEEDED FOR FLUSH FINISH TO NEW SIDING. NEW FIXTURES SHALL BE SEALED WATER TIGHT AND FULLY CAULKED TO SIDING. CAULKING AS SPECIFIED BY ARCHITECT AND SHALL MATCH NEW SIDING COLOR.
2. REPLACE EACH NEW LIGHT FIXTURE WALL SWITCH. NEW WALL SWITCHES SHALL BE INSTALLED WITH NEW SWITCH PLATES. SWITCH AND COVER PLATES SHALL MATCH EXISTING COLOR.
3. ELECTRICAL CONTRACTOR SHALL WORK WITH OTHERS AND RELOCATE EXISTING CABLE AND PHONE LINES WHERE EXPOSED ON SIDING TO BE REPLACED.
4. ALL WORK SHALL BE WARRANTED 1 YEAR PARTS AND LABOR.

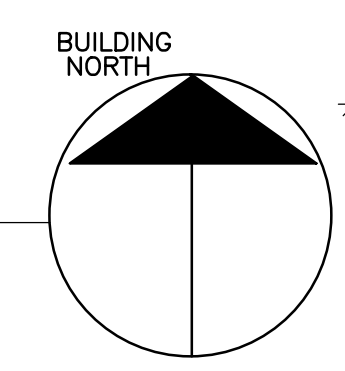
MECHANICAL AND ELECTRICAL - SHEET NOTES

1. REMOVE AND REPLACE EXISTING PORCH LIGHT.
2. REMOVE AND REPLACE AIR CONDITIONING REFRIGERANT LINES FROM OLD WALL PENETRATION TO CONDENSING UNIT. NEW REFRIGERANT LINES SHALL BE INSTALLED AND CONCEALED WITHIN WALLS/SOFFIT TO BE CONCEALED. NEW REFRIGERANT LINES SHALL ONLY BE EXPOSED FROM CONDENSING UNIT TO WALL. REFRIGERANT PIPING SHALL BE FULLY SUPPORTED AND FREE OF SAGS. REFRIGERANT LINES SHALL BE INSULATED. INSULATION SHALL BE PROTECTED WITH "VENTURE CLAD" OR EQUIVALENT WEATHER PROTECTIVE TAPE. ON SINGLE STORY UNITS, REFRIGERANT LINES SHALL REMAIN, CONTRACTOR SHALL ONLY REPLACE PIPING INSULATION.
3. REMOVE AND REPLACE EXISTING EMERGENCY HORN AND LIGHT FIXTURES.

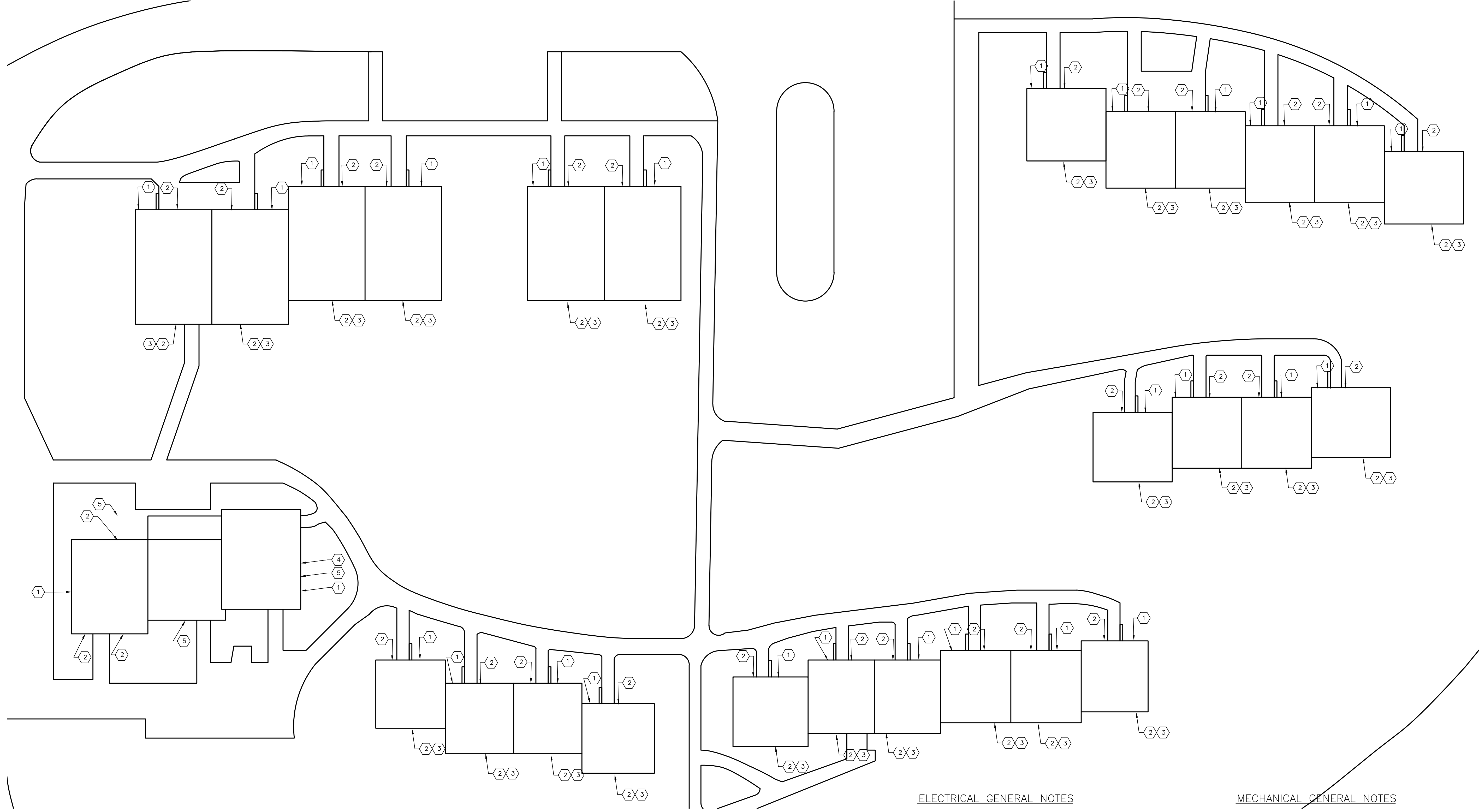
LIGHTING FIXTURE SCHEDULE				
TYPE	MANUFACTURER AND CATALOG NO.	LAMP	MOUNTING	REMARKS
PERIMASHIELD PRS		22W LED	PORCH LIGHT	WALL PACK WITH UV STABILIZED POLYCARBONATE LENS 400K BRONZE FINISH - 120 VOLT
PERIMALITER PGM3 LED		(2) 72W LED	WALL PACK	DARK BRONZE WALL PACK WITH ONE PIECE PRISMATIC, VANDAL RESISTANT POLYCARBONATE COVER (PVL3)

NOLTEMEYER WYNDE COMPLEX APARTMENTS SITE KEY PLAN (WEST)

NOT TO SCALE

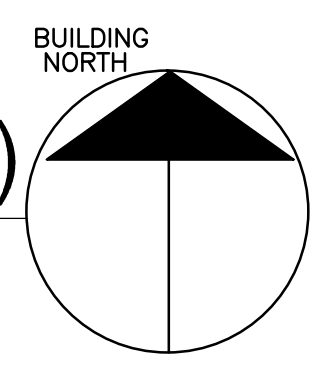


REFER TO SHEET ME1.2
FOR CONTINUATION



NOLTEMEYER WYNDE COMPLEX APARTMENTS SITE KEY PLAN (EAST)

NOT TO SCALE



ELECTRICAL GENERAL NOTES

1. THE ELECTRICAL CONTRACTOR SHALL BE FULLY LICENSED IN THE STATE OF KY. THE ELECTRICAL CONTRACTOR SHALL REMOVE AND REPLACE EXISTING LIGHT FIXTURES AS INDICATED. EXISTING WIRING SHALL BE REUSED. NEW LIGHTS SHALL BE INSTALLED TO EXISTING JUNCTION BOX. PROVIDE BOX SPACER IF NEEDED FOR FLUSH FINISH TO NEW SIDING. NEW FIXTURES SHALL BE SEALED WATER TIGHT AND FULLY CAULKED TO SIDING. CAULKING AS SPECIFIED BY ARCHITECT AND SHALL MATCH NEW SIDING COLOR.
2. REPLACE EACH NEW LIGHT FIXTURE WALL SWITCH. NEW WALL SWITCHES SHALL BE INSTALLED WITH NEW SWITCH PLATES. SWITCH AND COVER PLATES SHALL MATCH EXISTING COLOR.
3. ELECTRICAL CONTRACTOR SHALL WORK WITH OTHERS AND RELOCATE EXISTING CABLE AND PHONE LINES WHERE EXPOSED ON SIDING TO BE REPLACED.
4. ALL WORK SHALL BE WARRANTED 1 YEAR PARTS AND LABOR.

MECHANICAL GENERAL NOTES

1. THE MECHANICAL CONTRACTOR SHALL BE FULLY LICENSED IN STATE OF KY. THE MECHANICAL CONTRACTOR SHALL TEST EACH AIR CONDITIONER NOTED TO GET NEW REFRIGERANT LINES FOR PROPER OPERATION PRIOR TO DEMOLITION. AIR CONDITIONING COMPRESSORS SHALL BE CHECKED TO CONFIRM THEY ACHIEVE COMPRESSION PRESSURES THAT ARE WITHIN MANUFACTURERS OPERATIONAL TOLERANCES. AIR CONDITIONING UNITS SHALL BE CHECKED FOR LEAKS. EVAPORATOR COILS AND CONDENSING COILS SHALL BE THOROUGHLY CLEANED.
2. THE CONTRACTOR SHALL REPORT ANY DEFECTIVE UNITS TO OWNER AND ENGINEER PRIOR TO ANY FURTHER WORK. ALL AIR CONDITIONING UNITS ARE EXPECTED TO BE FULLY OPERATIONAL AND ACHIEVE PROPER LEAVING AIR TEMPERATURES WHEN COMPLETE. ALL DEFECTS PRIOR TO START SHALL BE REPORTED AND REPAIRED AS DIRECTED.
3. MECHANICAL CONTRACTOR SHALL REMOVE ALL EXISTING EXTERIOR REFRIGERANT LINES ON UNITS NOTED TO GET NEW EXTERIOR LINES. THE REFRIGERANT LINES SHALL BE CAPPED AT WALL PENETRATION AND CONDENSER AND SEALED UNTIL NEW REFRIGERANT LINES ARE INSTALLED. SYSTEM CLEANLINESS SHALL BE MAINTAINED. THE REFRIGERANT SHALL BE EVACUATED, RECOVERED AND RECYCLED BY APPROVED LICENSED COMPANY.
4. NEW REFRIGERANT LINES SHALL BE INSTALLED AND CONCEALED WITHIN BUILDING WALLS TO ACHIEVE MINIMALLY EXPOSED REFRIGERANT LINES. NEW LINES SHALL BE EXPOSED ONLY FROM WALL TO CONDENSING UNIT. SPLICE REFRIGERANT LINE AT PREVIOUS WALL PENETRATION. REFRIGERANT LINES SHALL BE TYPE "K" OR TYPE "ACR." PIPING SHALL BE INSTALLED BY QUALIFIED LICENSED CONTRACTOR IN ACCORDANCE TO ASHRAE STANDARD 15. REFRIGERANT SUCTION LINE SHALL BE INSULATED. INSULATION EXPOSED TO WEATHER SHALL BE WRAPPED WITH PROTECTIVE "VENTURE CLAD" OR EQUIVALENT TAPE COVER. WALL PENETRATIONS SHALL BE SEALED.
5. AIR CONDITIONING UNITS RECEIVING NEW REFRIGERANT LINES SHALL BE RECHARGED BY LICENSED CONTRACTOR PER MANUFACTURERS INSTRUCTIONS. PRIOR TO CHARGING, THE SYSTEM SHALL BE EVACUATED AND TESTED FOR LEAKS. NEW REFRIGERATION OIL SHALL BE INSTALLED PER MANUFACTURERS SPECIFICATION. A NEW REFRIGERANT FILTER/DRYER SHALL BE INSTALLED. EACH SYSTEM SHALL BE CHECKED FOR PROPER OPERATION. REFRIGERANT SAFETIES (HIGH AND LOW PRESSURE SWITCHES) SHALL BE TESTED AND CONFIRMED TO BE FULLY OPERATIONAL.
6. MECHANICAL CONTRACTOR SHALL REPLACE ALL EXISTING DRYER VENT CAPS. VENT CAPS SHALL BE METAL CAP COLOR AS SELECTED BY ARCHITECT.
7. ALL WORK SHALL BE WARRANTED FOR 1 YEAR PARTS AND LABOR.

MECHANICAL AND ELECTRICAL - SHEET NOTES

1. REMOVE AND REPLACE AIR CONDITIONING REFRIGERANT LINES FROM OLD WALL PENETRATION TO CONDENSING UNIT. NEW REFRIGERANT LINES SHALL BE INSTALLED AND CONCEALED WITHIN WALLS/SOFFIT TO BE CONCEALED. NEW REFRIGERANT LINES SHALL ONLY BE EXPOSED FROM CONDENSING UNIT TO WALL. REFRIGERANT PIPING SHALL BE FULLY SUPPORTED AND FREE OF SAGS. REFRIGERANT LINES SHALL BE INSULATED. INSULATION SHALL BE PROTECTED WITH "VENTURE CLAD" OR EQUIVALENT WEATHER PROTECTIVE TAPE. ON SINGLE STORY UNITS, REFRIGERANT LINES SHALL REMAIN. CONTRACTOR SHALL ONLY REPLACE PIPING INSULATION.
2. REMOVE AND REPLACE EXISTING PORCH LIGHT.
3. REMOVE AND REPLACE EXISTING EMERGENCY HORN AND LIGHT FIXTURES.
4. ELECTRICAL CONTRACTOR SHALL LOOSEN EXISTING ELECTRICAL DISCONNECT, PANEL, CONDUITS, METER AND ASSOCIATED TO ALLOW REPLACEMENT OF SIDING BEHIND ITEMS. CONTRACTOR SHALL COORDINATE WORK WITH OTHERS FOR SERVICE INTERRUPTION AND SIDING REPLACEMENT.
5. REMOVE AND REPLACE EXISTING AREA LOT LIGHT.

JOB NO.	1966
	LSE 20018
DATE	2-9-2021
DRAWN	KJS
CHECKED	KJS/JJS

COPYRIGHT © 2021
LSE ENGINEERING MECH. &
ELECTRICAL ENGINEERS

REVISIONS		
No.	Description	Date