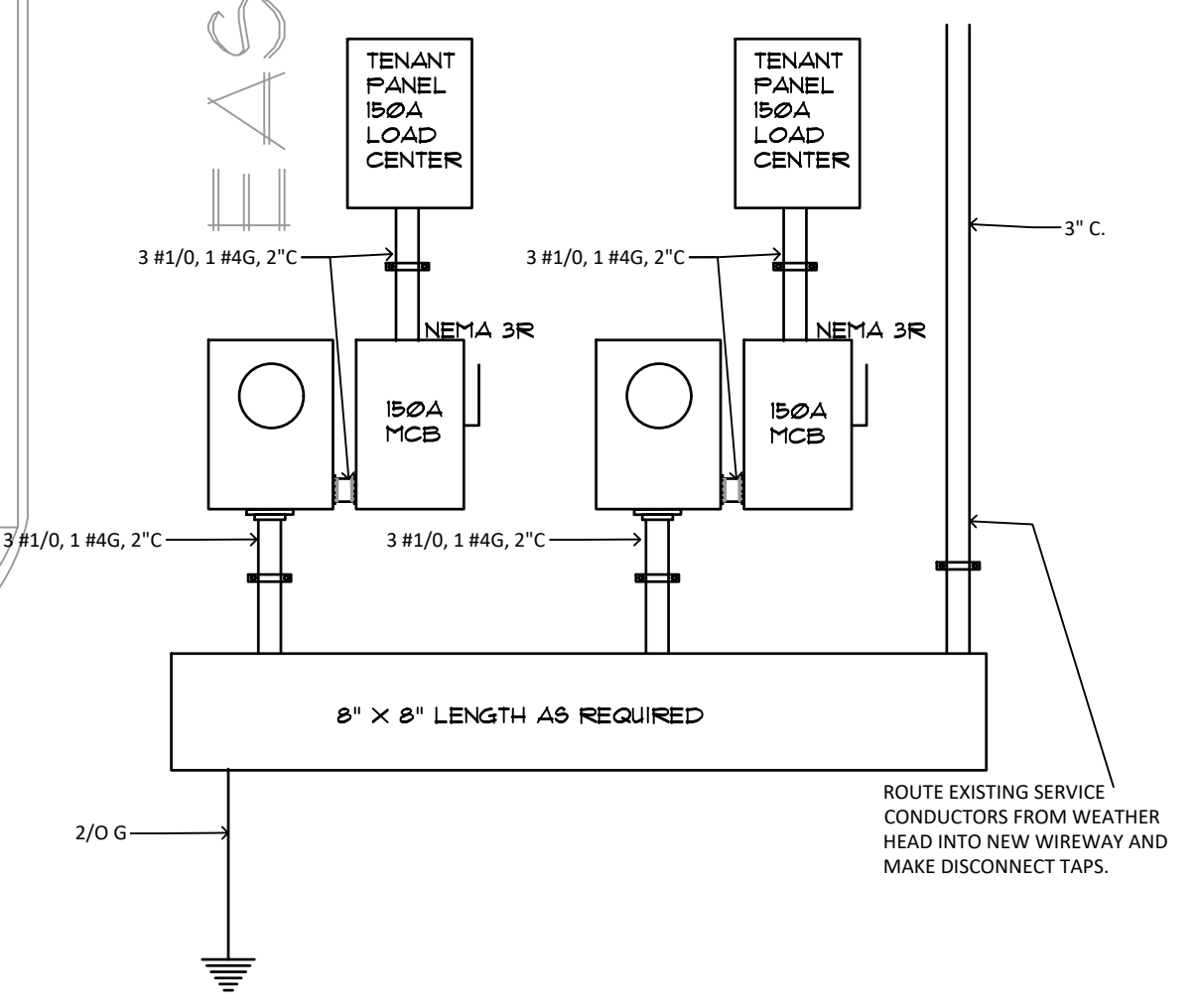


FIELD VERIFY EXACT LOCATION OF POWER COMPANY OVERHEAD LATERAL AND POINT OF CONNECTIONS FOR UNIT. PROVIDE ALL ELECTRICAL COMPONENTS FOR DE-ENERGIZING SITE, TEMPORARY POWER AND FINAL CONNECTION TO NEW SERVICE. PROVIDE ALL ELECTRICAL COMPONENTS AS REQUIRED (TYPICAL).

GENERAL NOTES:

- FOR ELECTRICAL LEGEND, SYMBOLS AND ABBREVIATIONS SEE SHEET E100.
- REFER TO ARCHITECTURAL REFLECTED CEILING PLANS FOR EXACT CEILING HEIGHTS AND TYPE.
- FOR EXACT LOCATION OF LIGHTING FIXTURES, REFER TO ARCHITECTURAL REFLECTED CEILING PLANS.
- FOR EXACT LOCATION OF MECHANICAL EQUIPMENT, REFER TO MECHANICAL DRAWINGS.
- PRIOR TO ROUGH-IN, REFERENCE ARCHITECTURAL DRAWINGS FOR EXACT LOCATIONS OF MICROWAVES.
- ALL RECEPTACLES SHALL BE MOUNTED AT 24" AFF. IN UNITS (TYPICAL IN LIEU OF 18" STANDARD).
- ALL 20A RECEPTACLES IN THE UNITS, INCLUDING THE EXTERIOR BALCONY RECEPTACLES, SHALL BE TAMPER-RESISTANT RECEPTACLES PER 2020 NEC CODE.
- CONTRACTOR SHALL PROVIDE TEMPORARY POWER AND LIGHTING THROUGH OUT CONSTRUCTION. PROVIDE ALL REQUIRED ELECTRICAL COMPONENTS REQUIRED, INCLUDING POWER POLE(S) TO SUPPORT METER SOCKET(S), AND PANEL(S), GROUND ROD(S), WIRING, BOXES, DEVICES, AND LIGHT FIXTURES.



1 ELECTRICAL SITE PLAN
SCALE: 1" = 20'-0"

2 ELECTRICAL RISER DIAGRAM
SCALE: NOT TO SCALE

BESSOLO
DESIGN GROUP, INC.
ARCHITECTURE • INTERIORS • ENGINEERING
License # AR0012669
1 BEACH DRIVE SE, SUITE 201M
ST. PETERSBURG, FL 33701
727.894.4453
WWW.BESSOLO.COM

KEM
ENGINEERS, INC.
License # EB-0007103
1 BEACH DRIVE SE SUITE 201M
ST. PETERSBURG, FL 33701
(727) 894-4668
PROFESSIONAL SEAL

Frederick Leonso Smith
State of Florida 88908

© COPYRIGHT KEM ENGINEERS, INC.
THIS DRAWING AND ALL INFORMATION CONTAINED HEREIN, INCLUDING ALL RELATED DIGITAL DRAWINGS OR FILES HEREIN ARE THE EXCLUSIVE PROPERTY OF KEM ENGINEERS, INC. SHALL NOT BE COPIED OR REPRODUCED IN ANY MANNER WITHOUT THE EXPRESS WRITTEN CONSENT OF KEM ENGINEERS, INC. AND MUST BE RETURNED UPON REQUEST. ALL DRAWINGS ARE PRELIMINARY AND NOT FOR CONSTRUCTION PURPOSES UNLESS SO INDICATED AND SEALED BY ROBERT MARK SPENCER, P.E.

ORLANDO HOUSING AUTHORITY
OHAT018 REEVES COURT
1743/1745 E SOUTH STREET
ORLANDO, FLORIDA 32801

ISSUED

DATE:	ISSUED FOR:
12/28/23	CONSTRUCTION DOCUMENTS

REVISIONS

NO.	DATE	DESCRIPTION

PROJECT NO.: 23002.00
DRAWN BY: PG
PROJECT MANAGER: FLB
CHECKED BY: FLB
DATE: 12-28-23
SCALE: AS NOTED

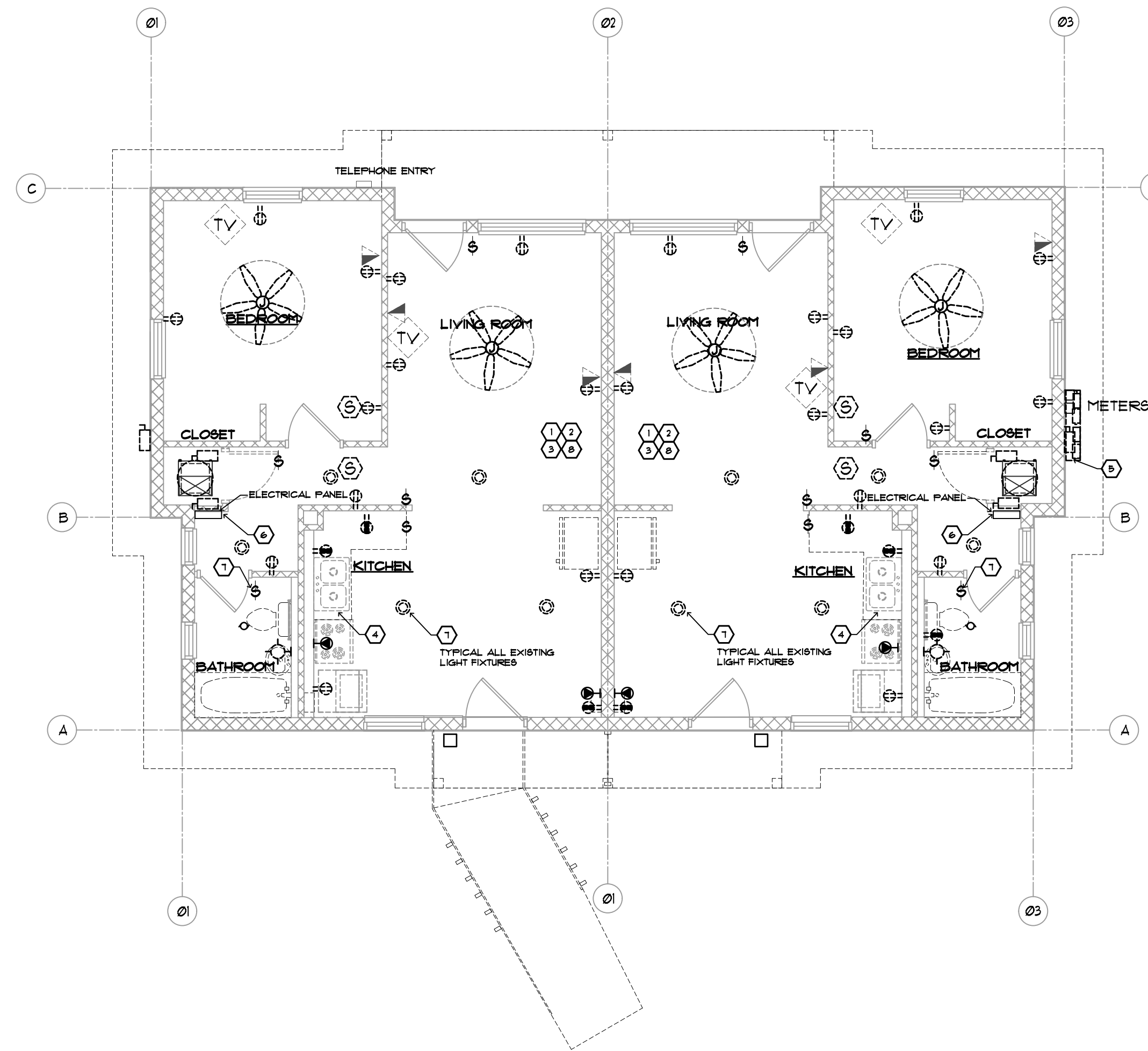
E100
ELECTRICAL SITE PLAN

KEY NOTES

1. DEMOLISH FIRST LEVEL LOAD CENTER, DEVICES, WIRING FOR BRANCH CIRCUITS, CABLING FOR TELEPHONE / DATA, CABLE TV CABLE AND DEVICES, CONDUIT, WIREMOLD, VOLTAGE CABLING AND OTHER EXISTING ELECTRICAL COMPONENTS.
2. THE DRAWINGS ARE DIAGRAMATIC AND ARE COMPOSED FROM SITE VISITS AND EXISTING DRAWINGS. PROVIDE THE TIME AND LABOR REQUIRED TO CONFIRM ALL BRANCH CIRCUITS PRIOR TO WORK.
3. EXISTING WALLS ARE TO BE MODIFIED - NEW PAINT, AND WALL TREATMENTS, SHALL BE INSTALLED. DEMOLISH ALL ELECTRICAL DEVICES, EQUIPMENT, WIRING AND CABLING.
4. KITCHEN SHALL BE REMODELED. DEMOLISH ALL ELECTRICAL DEVICES, EQUIPMENT, WIRING, AND CABLING.
5. EXISTING DUAL METER SOCKETS SHALL BE DEMOLISHED. PROVIDE NEW SERVICE AS INDICATED ON NEW ELECTRICAL DRAWINGS.
6. EXISTING LOAD CENTER SHALL DEMOLISHED. PROVIDE NEW LOAD CENTER AS INDICATED ON NEW CONSTRUCTION DRAWINGS.
7. EXISTING CEILING SHALL BE DEMOLISHED. DE-ENERGIZE ALL ELECTRICAL BRANCH CIRCUITS. TYPICAL FOR ALL LIGHT FIXTURES TO BE DEMOLISHED.
8. PRIOR TO BID, ELECTRICAL CONTRACTOR SHALL VISIT THE SITE AND BECOME FAMILIAR WITH PROJECT SCOPE.

ELECTRICAL DEMOLITION GENERAL NOTES:

1. THE DRAWINGS ARE DIAGRAMATIC AND ARE COMPOSED FROM SITE VISITS AND EXISTING DRAWINGS. PROVIDE THE TIME AND LABOR REQUIRED TO CONFIRM ALL BRANCH CIRCUITS PRIOR TO WORK.
2. EXISTING WALLS ARE TO BE MODIFIED - NEW PAINT, AND WALL TREATMENTS, SHALL BE INSTALLED. PROVIDE THE TIME AND LABOR TO DE-ENERGIZE BRANCH CIRCUITS, REMOVE DEVICES AND WIRING AND DISPOSE AS REQUIRED.
3. SAW CUT OF FLOOR SHALL BE COORDINATED TO PREVENT DUST FROM DAMAGING ANY EXISTING TO REMAIN, OR NEW, BUILDING INTERIOR FURNITURE, FLOORING, WALL TREATMENTS, AND EQUIPMENT. PROVIDE TENTING, WATER, VACUUM, ETC., IN ORDER TO CUT DOWN ALL DUST AND MINIMIZE NOISE. ALL DAMAGE AS A RESULT SHALL BE REPAIRED BY THE CONTRACTOR AT THE CONTRACTORS EXPENSE.
4. PROVIDE THE TIME AND LABOR REQUIRED TO CONFIRM ALL WALLS SCHEDULED FOR DEMOLITION. PRIOR TO DEMOLITION OF WALLS - WALLS WITH ELECTRICAL DEVICES SHALL BE REMOVED TO POINT OF ORIGIN IN ORDER TO DE-ENERGIZE WALL, BRANCH CIRCUIT CONDUIT AND CONDUCTORS THAT SERVE UPSTREAM AND DOWN STREAM DEVICES.
5. PROVIDE ALL ELECTRICAL COMPONENTS REQUIRED FOR ANY NEW BRANCH CIRCUITS REQUIRED.
6. PRIOR TO BID, ELECTRICAL CONTRACTOR SHALL VISIT THE SITE AND BECOME FAMILIAR WITH PROJECT SCOPE.
7. PROVIDE TEMPORARY POWER AND LIGHTING DURING CONSTRUCTION AS REQUIRED.
8. EXISTING CEILINGS ARE TO BE DEMOLISHED - REMOVE AND DISPOSE OF ALL LIGHT FIXTURES, SMOKE ALARMS AND WIRING AS REQUIRED.



1 ELECTRICAL DEMOLITION PLAN
SCALE: 1/4" = 1'-0"



BESSOLO
DESIGN GROUP, INC.
ARCHITECTURE • INTERIORS • ENGINEERING
License # AR0012609
1 BEACH DRIVE SE, SUITE 201M
ST. PETERSBURG, FL 33701
727.894.4453
WWW.BESSOLO.COM

KEM
ENGINEERS, INC.
License # EB-0007103
1 BEACH DRIVE SE SUITE 201M
ST. PETERSBURG, FL 33701
(727) 894-4668
PROFESSIONAL SEAL

Frederick Leonso Smith
State of Florida 88908
© COPYRIGHT KEM ENGINEERS, INC.
THIS DRAWING AND ALL INFORMATION CONTAINED HEREIN, INCLUDING ALL RELATED DIGITAL DRAWINGS OR FILES HEREIN ARE THE EXCLUSIVE PROPERTY OF KEM ENGINEERS, INC. SHALL NOT BE COPIED OR REPRODUCED IN ANY MANNER WITHOUT THE EXPRESS WRITTEN CONSENT OF KEM ENGINEERS, INC. AND SHALL BE RETURNED UPON REQUEST. ALL DRAWINGS ARE PRELIMINARY AND NOT FOR CONSTRUCTION PURPOSES UNLESS SO INDICATED AND SEALED BY ROBERT MARK SPENCER, P.E.

ORLANDO HOUSING AUTHORITY
CHAT018 REEVES COURT
1743/1745 E SOUTH STREET
ORLANDO, FLORIDA 32801

ISSUED	
DATE:	ISSUED FOR:
12/28/23	CONSTRUCTION DOCUMENTS

REVISIONS		
NO.	DATE	DESCRIPTION

PROJECT NO.: 23002.00
DRAWN BY: PG
PROJECT MANAGER:
CHECKED BY: FLB
DATE: 12-28-23
SCALE: 1/4" = 1'-0"

ED101
ELECTRICAL DEMOLITION PLAN

Panel Name: L	Voltage	A11C		M1C		M2C		M3C		Building Resistor				
		15K	20K	15K	20K	15K	20K	15K	20K					
1	EXTERIOR LIGHTING	20	1	0.00	1.10	X				30	2	DRIVER	2	M
2	HOT BEDROOM	20	1	0.00	1.10	X				30	2	RANGE	6	R
3	HOT LIVING ROOM	20	1	0.00	0.00	X				30	2	SMALL APPLIANCES	18	R
4	ROPT WASHER	20	1	0.00	0.00	X				30	2	MICRO HOOD EXHAUST	14	M
5	DISPOSAL	20	1	0.00	0.00	X				30	2	WATER HEATER	18	R
6	DINING/LIVING KIT LIGHTING	20	1	0.00	0.00	X				30	2	BATH RECEPT	22	R
7	BEDROOM BATH LIGHTING	20	1	0.00	0.00	X				30	2	SPACE	26	R
8	WIR HANDLER	20	1	0.00	0.00	X				30	2	SPACE	28	R
9	CONDENSING UNIT	115	2	2.10	2.10	X				2.25	2.25	SPACE	30	R
10	RECEPTACLE	20	1	0.04	0.18	X				20	1	SPACE	34	R
11	SPACE					X						SPACE	36	R
12	SPACE					X						SPACE	38	R
13	SPACE					X						SPACE	40	R
14	SPACE					X						SPACE	42	R
15	SPACE					X						SPACE	44	R
16	SPACE					X						SPACE	46	R
17	SPACE					X						SPACE	48	R
18	SPACE					X						SPACE	50	R
19	SPACE					X						SPACE	52	R
20	SPACE					X						SPACE	54	R
21	SPACE					X						SPACE	56	R
22	SPACE					X						SPACE	58	R
23	SPACE					X						SPACE	60	R
24	SPACE					X						SPACE	62	R
25	SPACE					X						SPACE	64	R
26	SPACE					X						SPACE	66	R
27	SPACE					X						SPACE	68	R
28	SPACE					X						SPACE	70	R
29	SPACE					X						SPACE	72	R
30	SPACE					X						SPACE	74	R
31	SPACE					X						SPACE	76	R
32	SPACE					X						SPACE	78	R
33	SPACE					X						SPACE	80	R
34	SPACE					X						SPACE	82	R
35	SPACE					X						SPACE	84	R
36	SPACE					X						SPACE	86	R
37	SPACE					X						SPACE	88	R
38	SPACE					X						SPACE	90	R
39	SPACE					X						SPACE	92	R
40	SPACE					X						SPACE	94	R
41	SPACE					X						SPACE	96	R
42	SPACE					X						SPACE	98	R
43	SPACE					X						SPACE	100	R
44	SPACE					X						SPACE	102	R
45	SPACE					X						SPACE	104	R
46	SPACE					X						SPACE	106	R
47	SPACE					X						SPACE	108	R
48	SPACE					X						SPACE	110	R
49	SPACE					X						SPACE	112	R
50	SPACE					X						SPACE	114	R
51	SPACE					X						SPACE	116	R
52	SPACE					X						SPACE	118	R
53	SPACE					X						SPACE	120	R
54	SPACE					X						SPACE	122	R
55	SPACE					X						SPACE	124	R
56	SPACE					X						SPACE	126	R
57	SPACE					X						SPACE	128	R
58	SPACE					X						SPACE	130	R
59	SPACE					X						SPACE	132	R
60	SPACE					X						SPACE	134	R
61	SPACE					X						SPACE	136	R
62	SPACE					X						SPACE	138	R
63	SPACE					X						SPACE	140	R
64	SPACE					X						SPACE	142	R
65	SPACE					X						SPACE	144	R
66	SPACE					X						SPACE	146	R
67	SPACE					X						SPACE	148	R
68	SPACE					X						SPACE	150	R
69	SPACE					X						SPACE	152	R
70	SPACE					X						SPACE	154	R
71	SPACE					X						SPACE	156	R
72	SPACE					X						SPACE	158	R
73	SPACE					X						SPACE	160	R
74	SPACE					X						SPACE	162	R
75	SPACE					X						SPACE	164	R
76	SPACE					X						SPACE	166	R
77	SPACE					X						SPACE	168	R
78	SPACE					X						SPACE	170	R
79	SPACE					X						SPACE	172	R
80	SPACE					X						SPACE	174	R
81	SPACE					X						SPACE	176	R
82	SPACE					X						SPACE	178	R
83	SPACE					X						SPACE	180	R
84	SPACE					X						SPACE	182	R
85	SPACE					X						SPACE	184	R
86	SPACE					X						SPACE	186	R
87	SPACE					X						SPACE	188	R
88	SPACE					X						SPACE	190	R
89	SPACE					X						SPACE	192	R
90	SPACE					X						SPACE	194	R
91	SPACE					X						SPACE	196	R
92	SPACE					X						SPACE	198	R
93	SPACE					X						SPACE	200	R
94	SPACE					X						SPACE	202	R
95	SPACE					X						SPACE	204	R
96	SPACE					X						SPACE	206	R
97	SPACE					X						SPACE	208	R
98	SPACE					X						SPACE	210	R
99	SPACE					X						SPACE	212	R
100	SPACE					X						SPACE	214	R
101	SPACE					X						SPACE	216	R
102	SPACE					X						SPACE	218	R
103	SPACE					X						SPACE	220	R
104	SPACE					X						SPACE	222	R
105	SPACE					X						SPACE	224	R
106	SPACE					X						SPACE	226	R
107	SPACE					X						SPACE	228	R
108	SPACE					X						SPACE	230	R
109	SPACE					X						SPACE	232	R
110	SPACE					X						SPACE	234	R
111	SPACE					X						SPACE	236	R
112	SPACE					X						SPACE	238	R
113	SPACE					X						SPACE	240	R
114	SPACE					X						SPACE	242	R
115	SPACE					X						SPACE	244	R
116	SPACE					X						SPACE	246	R
117	SPACE					X						SPACE	248	R
118	SPACE					X						SPACE	250	R
119	SPACE					X						SPACE	252	R
120	SPACE					X						SPACE	254	R
121	SPACE					X						SPACE	256	R
122	SPACE					X						SPACE	258	R
123	SPACE					X						SPACE	260	R
124	SPACE					X						SPACE	262	R
125	SPACE					X						SPACE	264	R
126	SPACE					X								