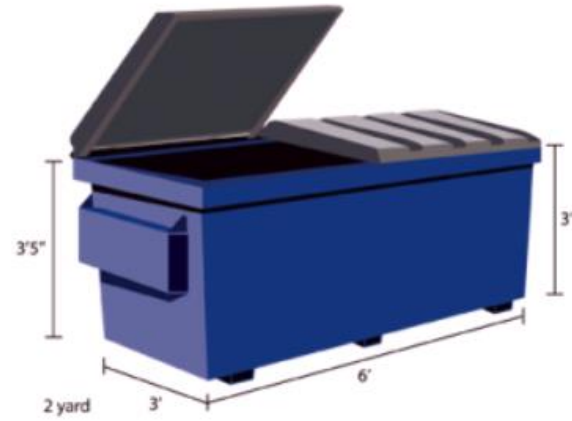


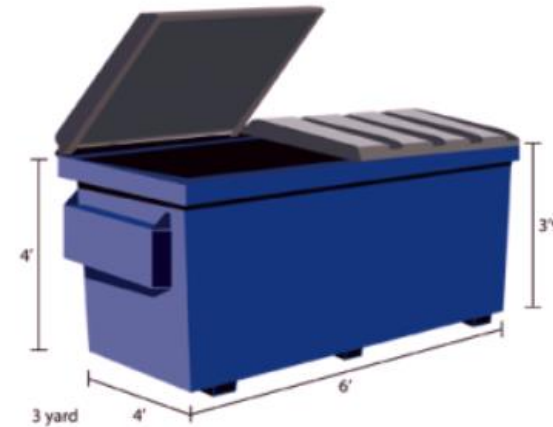
Dumpster Types and Sizes

Front Load Containers



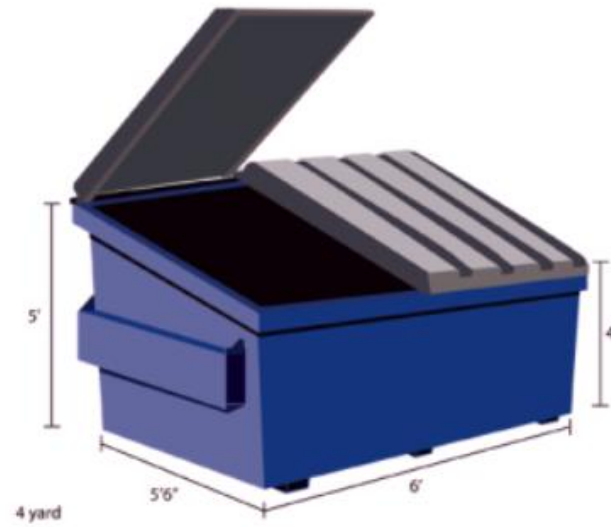
2 Cubic Yard

- Ideal for small to medium businesses or for areas with tight spaces
- 6' wide x 3' deep x 3' tall*
- Holds roughly 30 kitchen sized (13 gallon) trash bags



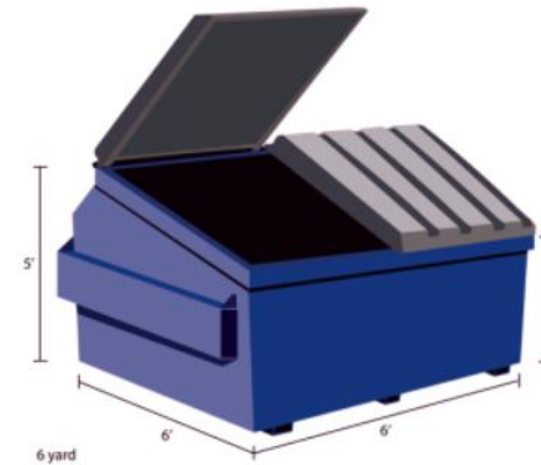
3 Cubic Yard

- Ideal for small to medium businesses or for areas with tight spaces
- 6' wide x 4' deep x 4' tall*
- Holds roughly 45 kitchen sized (13 gallon) trash bags



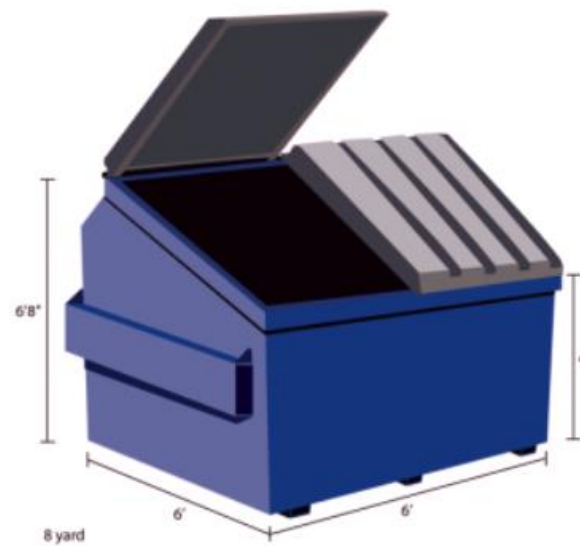
4 Cubic Yard

- Ideal for medium sized business or high volume small businesses such as gas stations, convenient stores or stores in a shopping mall
- 6' wide x 5.5' deep x 4' tall in the front slanting to 5' tall in the back*
- Holds roughly 60 kitchen sized (13 gallon) trash bags



6 Cubic Yard

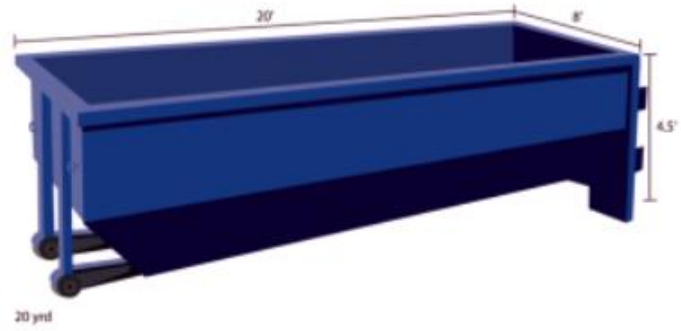
- Ideal for large businesses, shopping malls or high volume medium businesses like restaurants
- 6' wide x 6' Deep x 4' tall in the front slanting to 5' tall in the back*
- Holds roughly 90 kitchen sized (13 gallon) trash bags



8 Cubic Yard

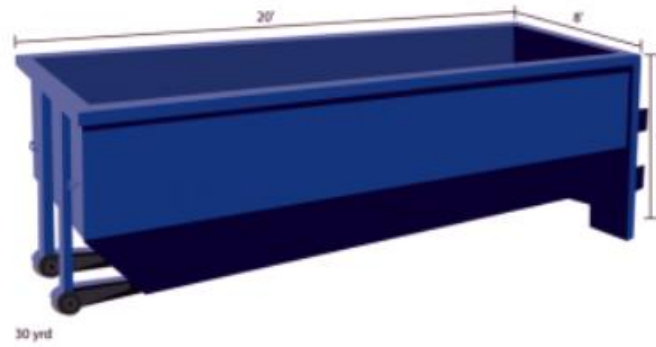
- Ideal for large businesses, shopping malls, or high volume medium businesses like restaurants
- 6' wide x 6.5' deep x 4' tall in the front slanting to 6.5' tall in the back*
- Holds roughly 120 kitchen sized (13 gallon) trash bags

Roll Off Dumpster Sizes



20 Cubic Yard

- Ideal for small to medium construction projects or garage clean outs
- 20' long x 8' wide x 4' tall*
- Open top holds about 10 pickup truck loads



30 Cubic Yard

- Ideal for commercial construction, large residential renovations or large cleanouts.
- 20' long x 8' wide x 6' tall*
- Open top holds about 15 pickup truck loads