

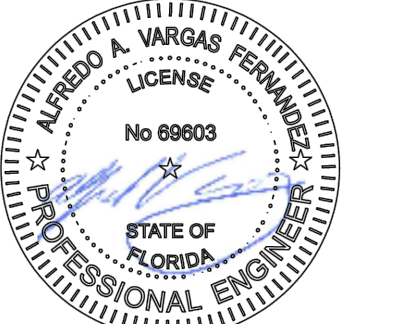
REV. NO.	DATE	DESCRIPTION
5	10/07/2020	DETAILS ADDED.

NOTES:

DISCIPLINE INFORMATION:

PROFESSIONAL OF RECORD: GINO VALDEERRAMA	START DESIGNER: GINO VALDEERRAMA
D.C. AUDITOR: JIMMIE A. TORRENS	PRINCIPAL CAD TECHNICIAN: JAVIER PUERTO
PROJECT MANAGER: SERVA FLENETS	

PROFESSIONAL SEAL:



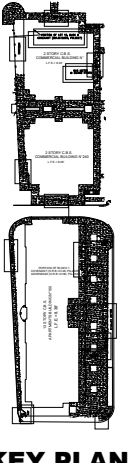
PROJECT:

VCA IMPROVEMENTS
PALM CENTRE
150 EAST 1ST AVENUE
HIALEAH, FL 33010

DATE **ISSUE DESCRIPTION**

07/22/2019	ISSUED FOR PERMIT

DRAWING INFORMATION:



KEY PLAN

SHEET TITLE:

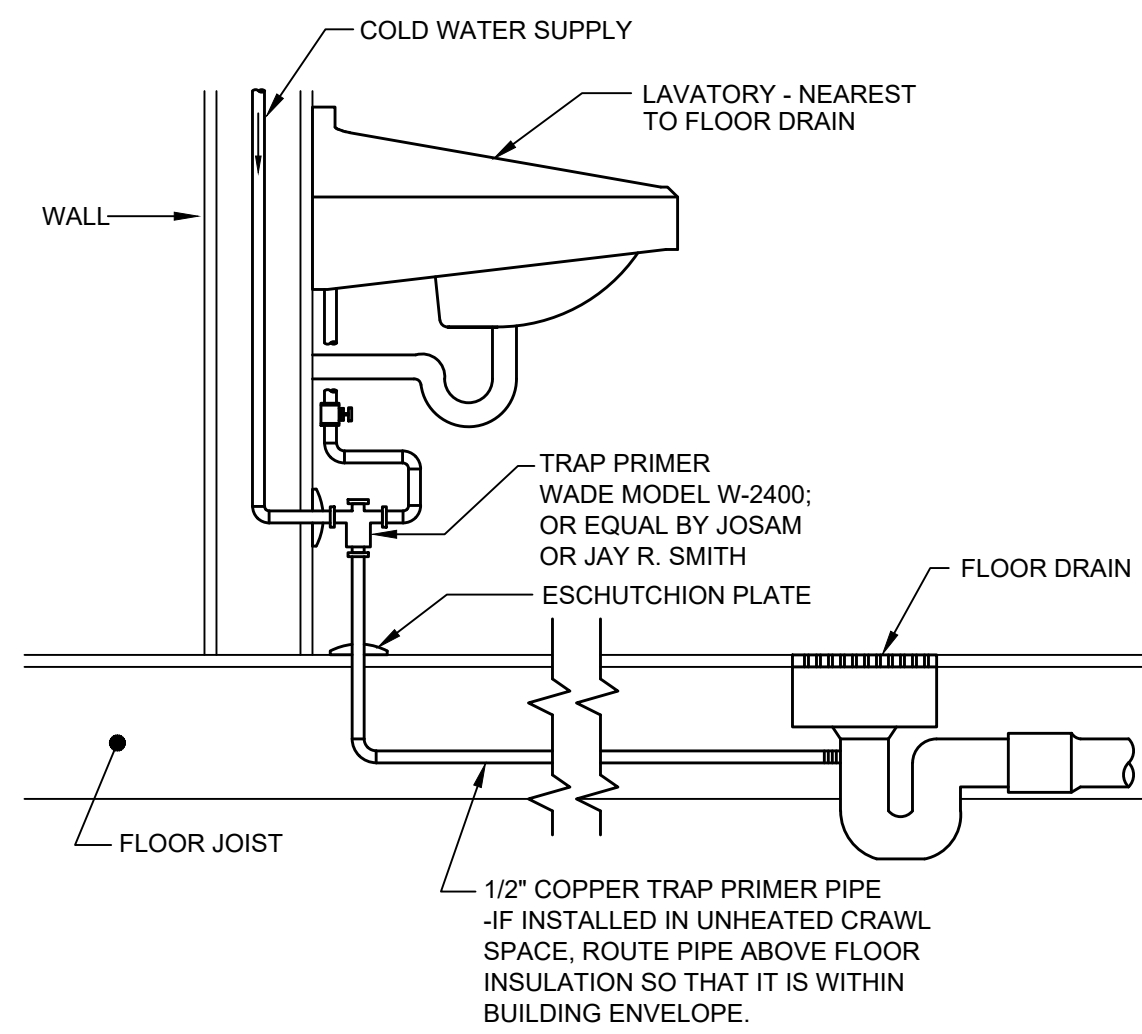
PLUMBING DETAILS

DELIVERY DATE: 04/10/2019	PROJECT NUMBER: 18-0221-06
PRINT DATE & TIME: 04/10/2019	CAD FILE NAME: PL500.1

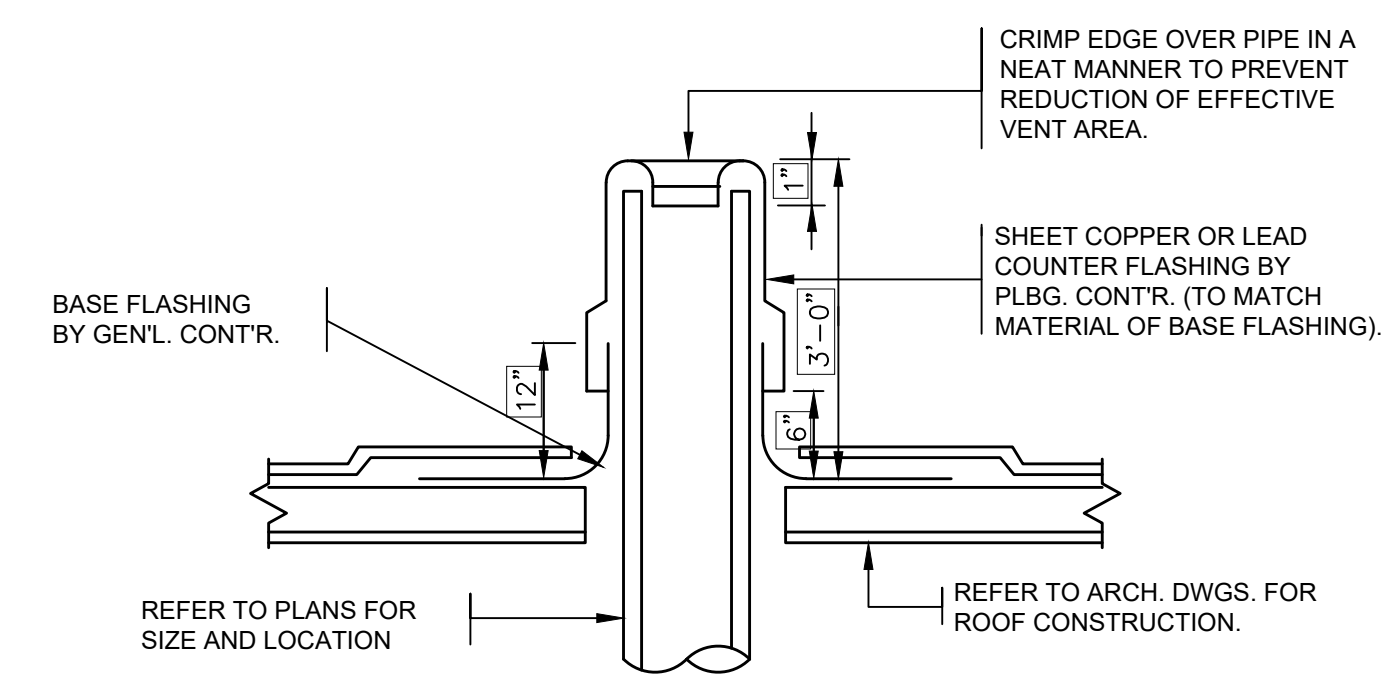
DRAWING LOCATION:
A:\Projects\mia_projects\0418-0221\C06\06\technical\12Plumbing\DWG

SHEET NO. **PL500.5**

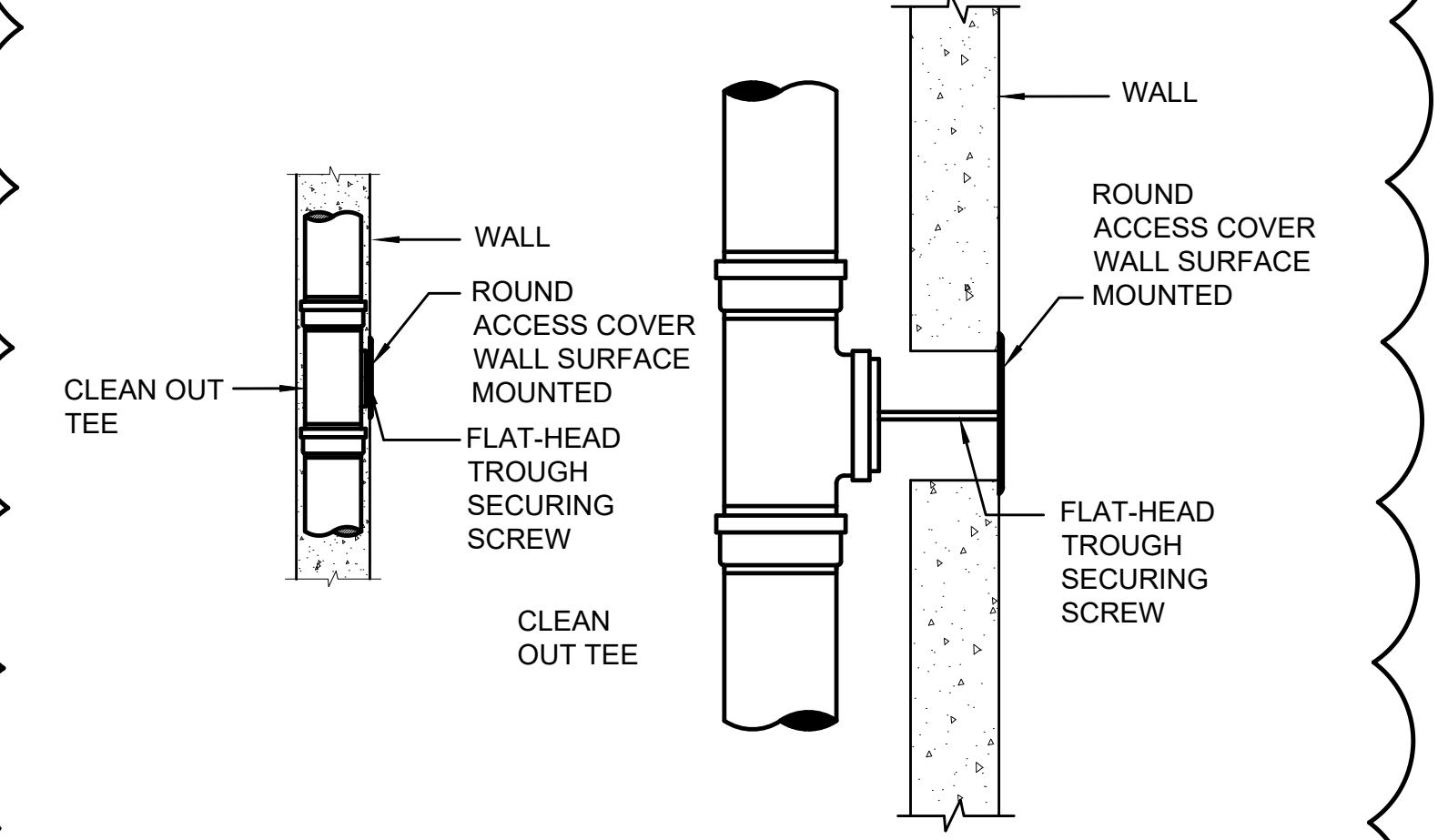
3 OF 03



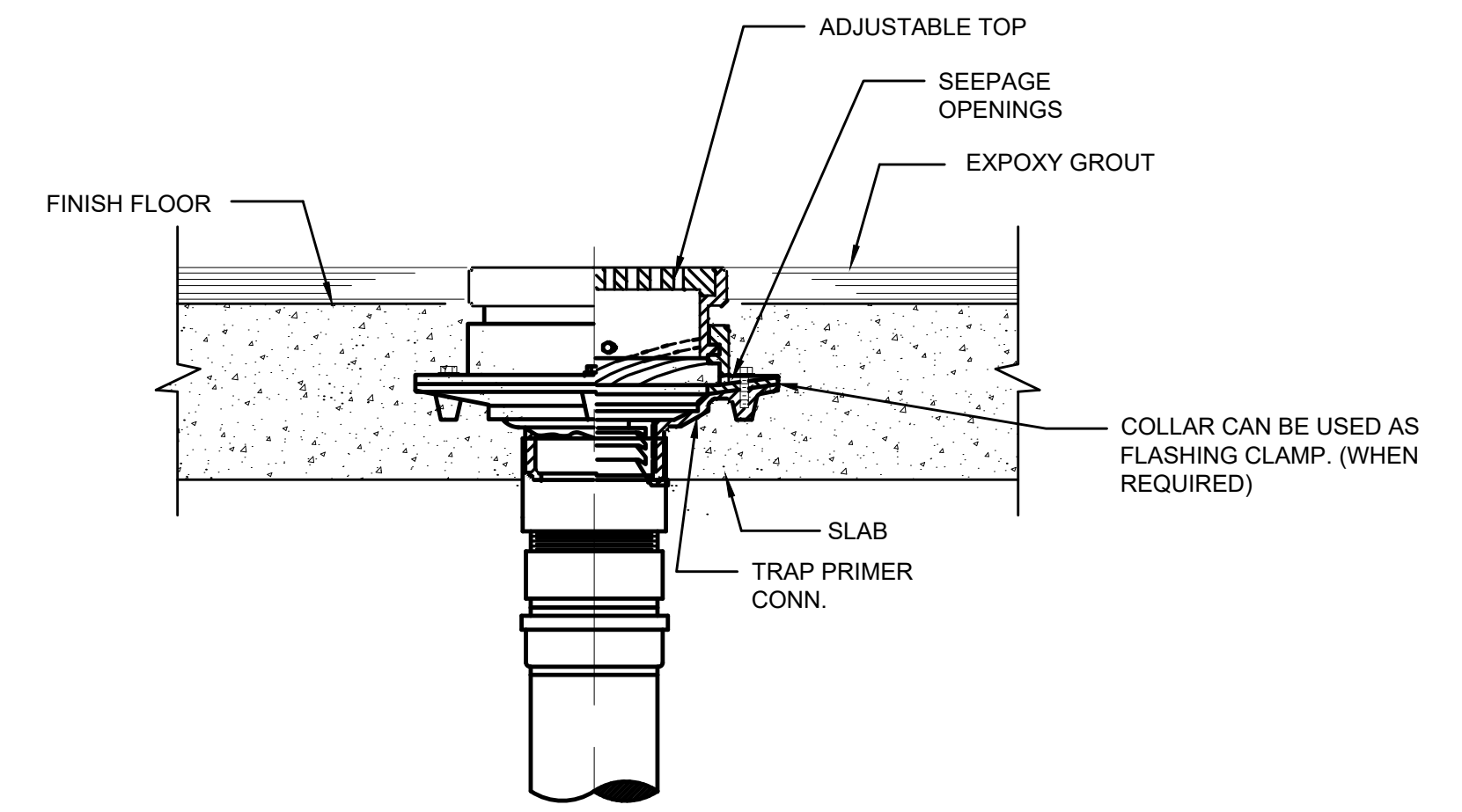
1 FLOOR DRAIN TRAP PRIMER CONN. DETAIL
PL500 SCALE: N.T.S.



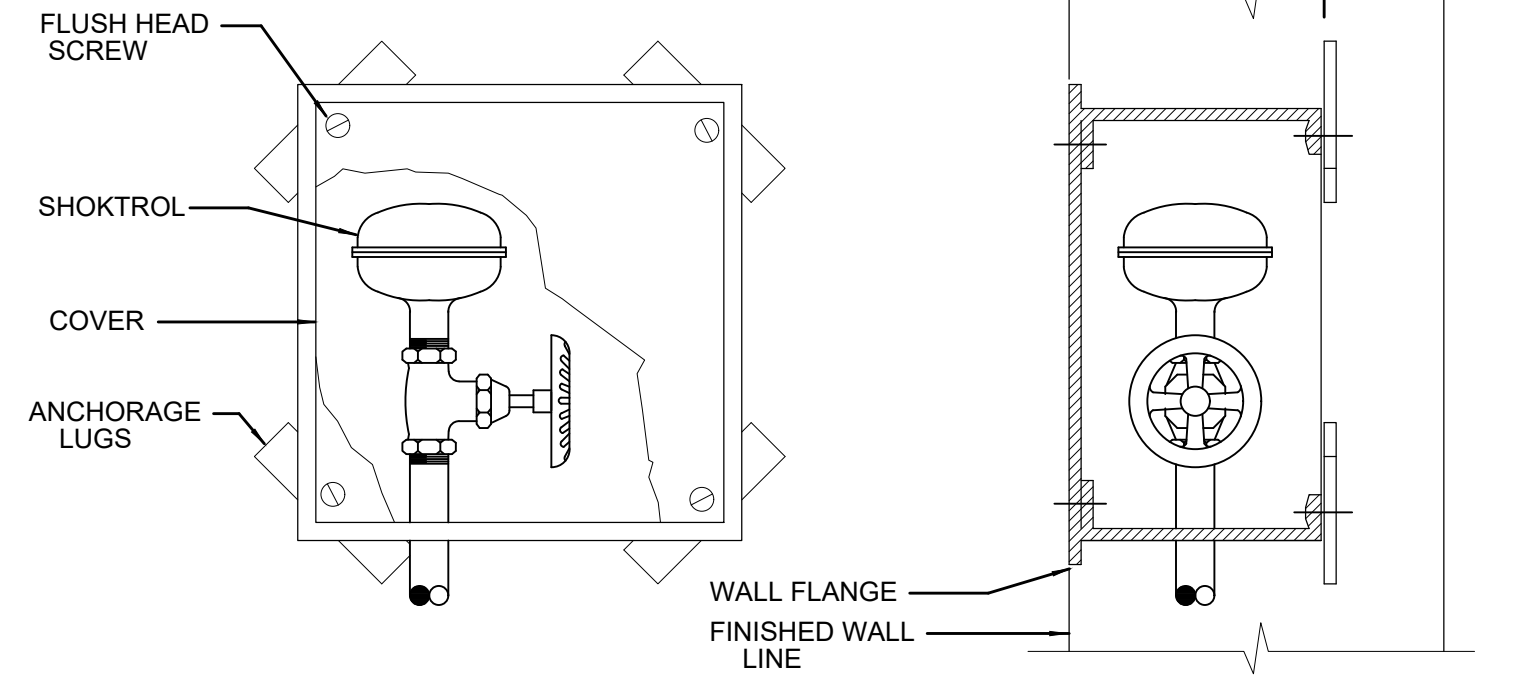
4 PLUMBING VENT THROUGH FLAT ROOF DETAIL
PL500 SCALE: 1/4" = 1'-0"



3 WALL CLEAN OUT DETAIL
PL500 SCALE: N.T.S.



4 FLOOR DRAIN DETAIL DETAIL
PL500 SCALE: N.T.S.



5 WATER HAMMER ARRESTER DETAIL
PL500 SCALE: N.T.S.

ACCESS BOX MATERIALS:
EXTRUDED ALUMINUM FRAME & SHEET ALUMINUM COVER.