

CWS ARCHITECTS  
ARCHITECTURE | INTERIOR DESIGN  
264 U.S. ROUTE ONE  
BOX 6, SUITE 100-2A  
SCARBOROUGH, MAINE 04074  
207 774 4441  
WWW.CWSARCH.COM

OWNER  
PORTLAND HOUSING  
AUTHORITY

14 BAKER BLD  
PORTLAND, MAINE 04101

PROJECT  
HARBOR TERRACE  
ELECTRICAL UPGRADE

284 DANFORTH STREET  
PORTLAND, MAINE

DRAWING  
ELECTRICAL NOTES, DETAILS  
AND EXISTING  
ONE LINE DIAGRAM AND  
SWITCHBOARD ELEVATION  
CWS PROJECT NUMBER: 21037

REVISIONS

NO.	DATE	DESCRIPTION
1.	10/13/21	ADDENDUM

DRAWING NUMBER  
**ES0.0**

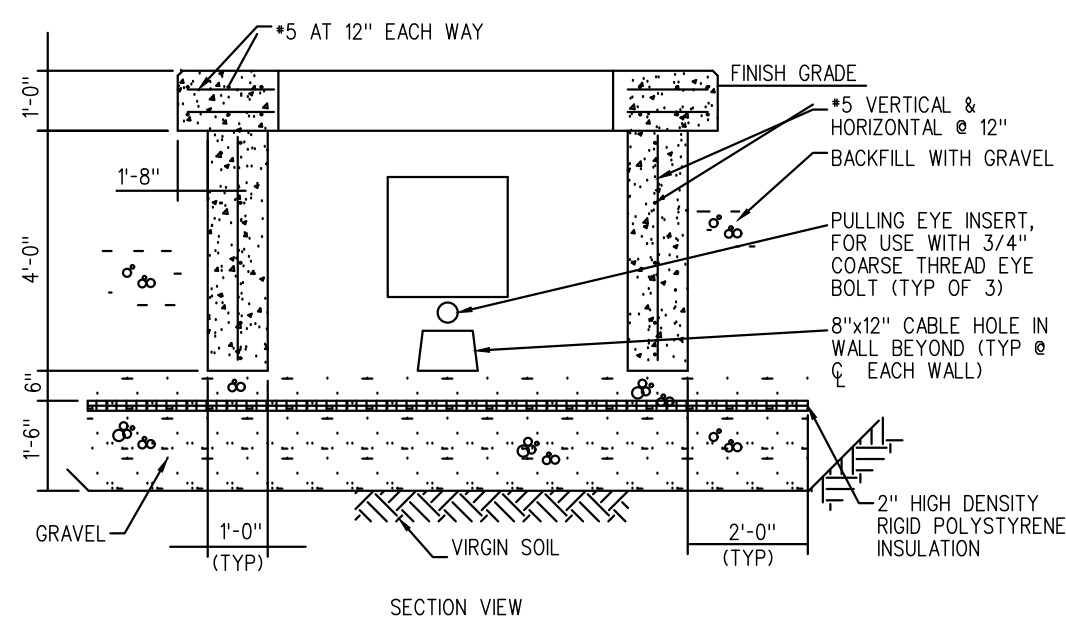
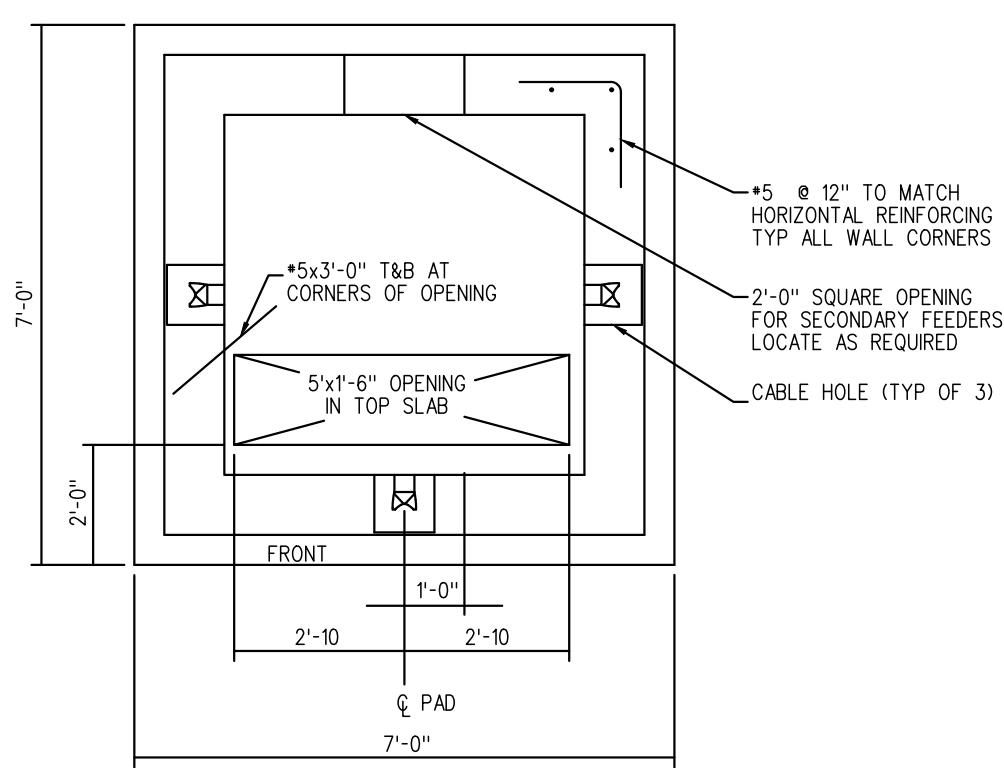
SCALE:  
DATE: 08/23/2021

NOTE 1:

CONTRACTOR TO PROVIDE A JUNCTION BOX AT EACH FEEDER TO CONNECT EXISTING FEEDERS TO NEW FEEDERS

GENERAL NOTES- SITE ELECTRICAL

- THE COMPLETE INSTALLATION SHALL CONFORM WITH ALL APPLICABLE FEDERAL, STATE AND LOCAL LAWS, CODES AND ORDINANCES, INCLUDED BUT NOT LIMITED TO APPROVED EDITIONS OF THE FOLLOWING: NATIONAL ELECTRICAL SAFETY CODE (ANSI C2); NATIONAL ELECTRICAL CODE (NFPA 70); OCCUPATIONAL SAFETY AND HEALTH ACT (OSHA) AND ALL AMENDMENTS THERE TO. NOTHING CONTAINED IN THE DRAWINGS AND SPECIFICATIONS SHALL BE CONSTRUED TO CONFLICT WITH THESE LAWS, CODES, AND ORDINANCES, AND THEY ARE THEREBY INCLUDED IN THESE SPECIFICATIONS. OBTAIN PERMITS AND REQUEST INSPECTIONS FROM ALL AUTHORITIES HAVING JURISDICTION. COMPLY WITH ALL POWER, TELEPHONE, CABLE TELEVISION PROVIDER REGULATIONS AND STANDARDS.
- ELECTRICAL UTILITY SHALL PROVIDE ALL ASSOCIATED OVERHEAD AND UNDERGROUND PRIMARY WIRING, PRIMARY TERMINATIONS, TRANSFORMERS, AND CONNECTIONS TO EXISTING OVERHEAD LINES. CONTRACTOR SHALL PROVIDE UNDERGROUND CONDUIT.
- PROVIDE UNDERGROUND ELECTRICAL WARNING TAPE: 6" WIDE PLASTIC TAPE, COLORED RED WITH SUITABLE LEGEND DESCRIBING BURIED ELECTRICAL LINES FOR ALL UNDERGROUND CONDUITS. LOCATE 6 INCHES BELOW FINISHED GRADE.
- REFER TO CIVIL DRAWINGS FOR EXCAVATION AND BACKFILL OF ALL UNDERGROUND WORK.
- EXISTING UTILITY LOCATIONS ARE APPROXIMATE AND SHALL BE FIELD VERIFIED. CONTRACTORS SHALL CONTACT DIG SAFE BEFORE BEGINNING ANY EXCAVATIONS.
- FINAL LOCATION OF NEW UTILITIES MAY VARY FROM PLANS PENDING UTILITY COMPANY FIELD COORDINATION.
- UNDERGROUND CONDUIT SHALL BE SCHED 40 PVC, ABOVE GRADE CONDUIT SHALL BE RGS. ALL CONDUIT SWEEPS SHALL BE RGS LONG SWEEPS.
- PROVIDE EXPANSION FITTINGS FOR ALL UNDERGROUND CONDUIT CONNECTED TO FIXED ABOVE GROUND STRUCTURES.
- PROVIDE A LISTED INTERSYSTEM BONDING TERMINAL AT THE SERVICE ENTRANCE. INSTALL IN ACCORDANCE WITH NFPA 70.250.94
- REFER TO ONE-LINE DIAGRAM FOR ADDITIONAL INFORMATION.

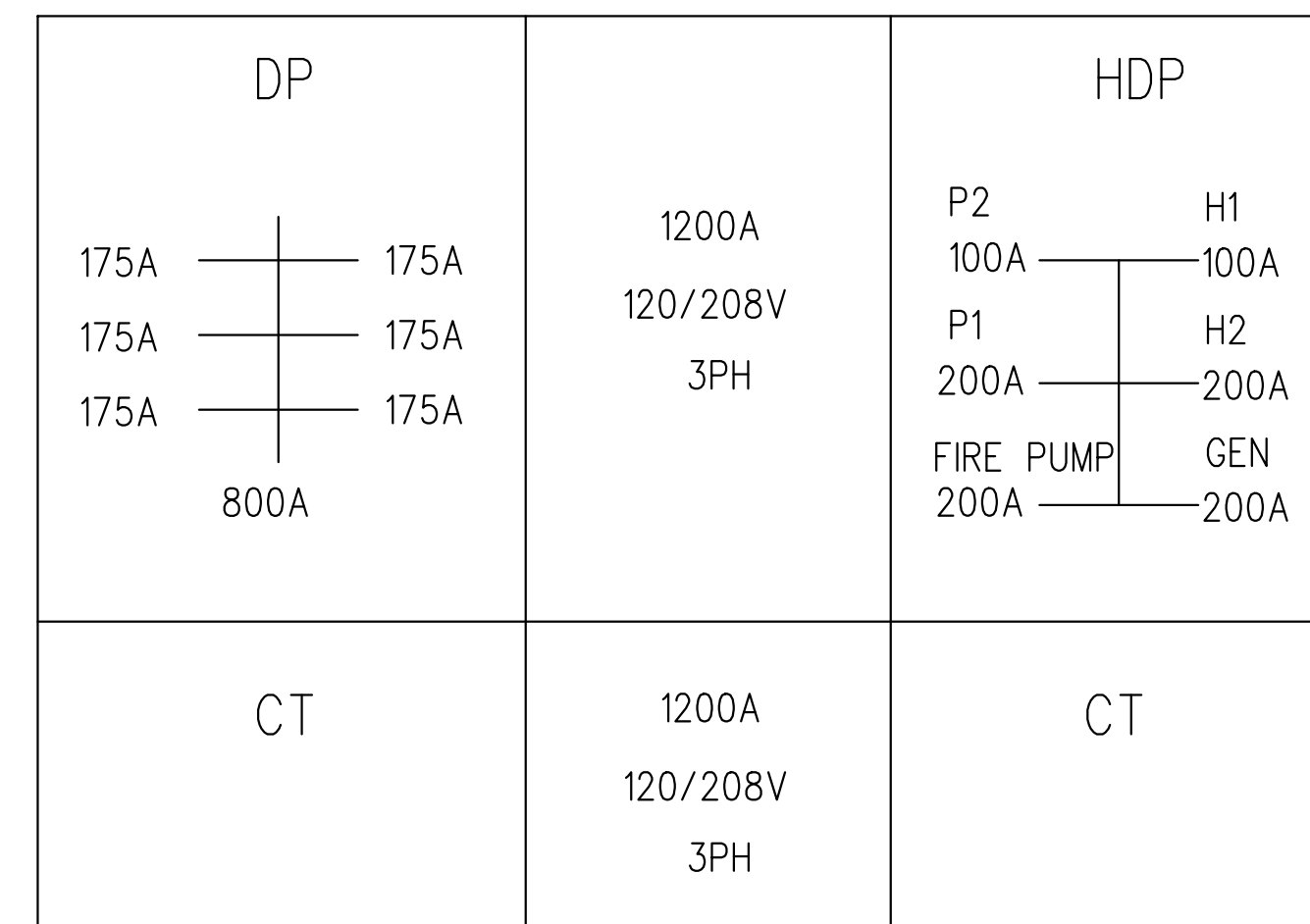


TRANSFORMER PAD

SCALE: NONE

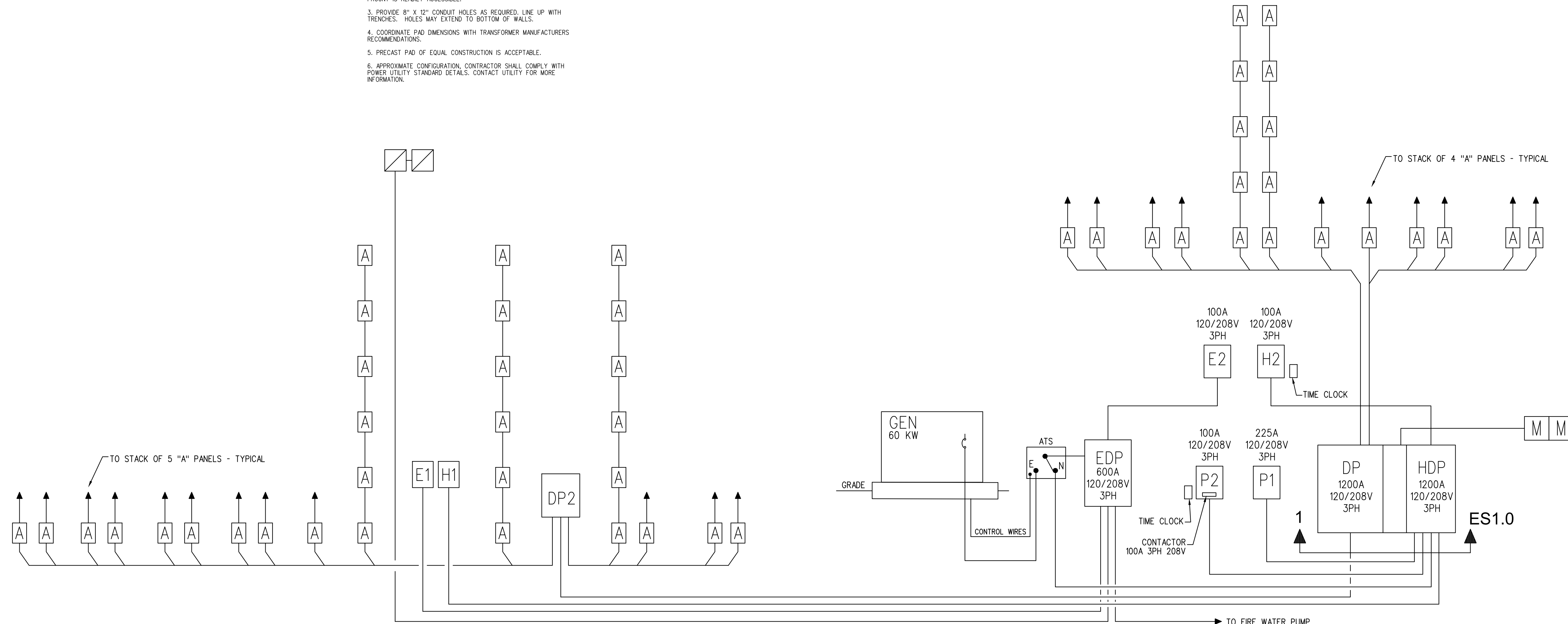
NOTES:

- PLACE CONCRETE PAD ON GRAVEL AND PROVIDE ADEQUATE DRAINAGE AWAY FROM PAD. REINFORCE AS SHOWN.
- "FRONT" DENOTES THE SIDE ON WHICH THE TRANSFORMER ACCESS DOORS ARE LOCATED. THE PAD MUST BE INSTALLED SO THAT THE FRONT IS READILY ACCESSIBLE.
- PROVIDE 8" X 12" CONDUIT HOLES AS REQUIRED. LINE UP WITH TRENCHES. HOLES MAY EXTEND TO BOTTOM OF WALLS.
- COORDINATE PAD DIMENSIONS WITH TRANSFORMER MANUFACTURERS RECOMMENDATIONS.
- PRECAST PAD OF EQUAL CONSTRUCTION IS ACCEPTABLE.
- APPROXIMATE CONFIGURATION, CONTRACTOR SHALL COMPLY WITH POWER UTILITY STANDARD DETAILS. CONTACT UTILITY FOR MORE INFORMATION.



EXISTING SWITCHBOARD ELEVATION

SCALE: NONE



EXISTING ONE LINE DIAGRAM

SCALE: NONE

