

CWS ARCHITECTS  
ARCHITECTURE | INTERIOR DESIGN  
264 U.S. ROUTE ONE  
BOX 6, SUITE 100-2A  
SCARBOROUGH, MAINE 04074  
207/774-4441  
WWW.CWSARCH.COM

DESIGNER  
OWNER  
PORTLAND HOUSING  
AUTHORITY  
14 BAKER BLD  
PORTLAND, MAINE 04101

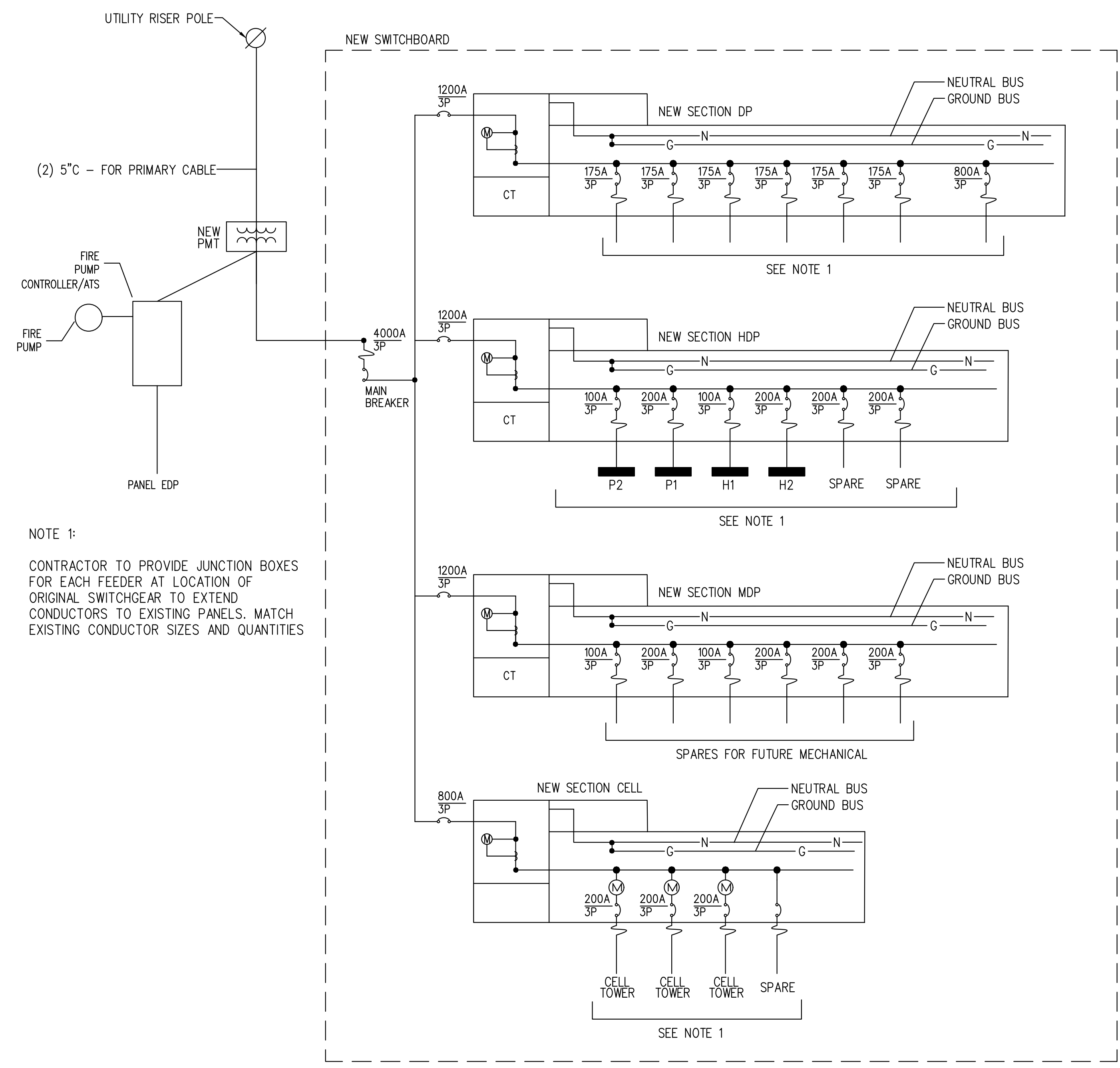
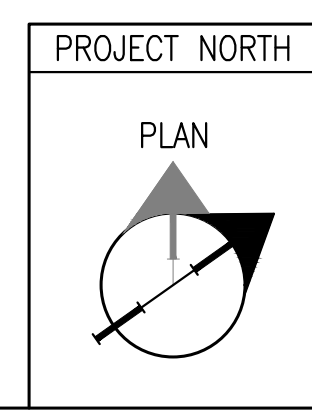
PROJECT  
HARBOR TERRACE  
ELECTRICAL UPGRADE  
284 DANFORTH STREET  
PORTLAND, MAINE

DRAWING  
NEW ONE LINE DIAGRAM AND  
SWITCHBOARD ELEVATION  
CWS PROJECT NUMBER: 21037

REVISIONS

1.	10/13/21	ADDENDUM
----	----------	----------

DRAWING NUMBER  
**ES0.1**  
SCALE:  
DATE: 08/23/2021



	DP (M) NEW 1200A 120/208V 3PH	HDP (M) NEW 1200A 120/208V 3PH	MDP (M) NEW 1200A 120/208V 3PH		(M) 200A CELL TOWER #1
4000A 120/208V 3PH MAIN BREAKER	PANEL SECTION	PANEL SECTION	PANEL SECTION	800A 120/208V 3PH MAIN BREAKER	(M) 200A CELL TOWER #2
					(M) 200A CELL TOWER #3
					SPARE

1 NEW SWITCHBOARD ELEVATION  
ES1.0 SCALE: NONE

2 NEW ONE LINE DIAGRAM  
ES1.0 SCALE: NONE