

DESIGNER

CWS ARCHITECTS
ARCHITECTURE | INTERIOR DESIGN
264 U.S. ROUTE ONE
BOX 6, SUITE 100-2A
SCARBOROUGH, MAINE 04074
207/774-4441
WWW.CWSARCH.COM

OWNER

PORTLAND HOUSING
AUTHORITY

14 BAYTER BLD
PORTLAND, MAINE 04101

PROJECT

HARBOR TERRACE
ELECTRICAL UPGRADE

284 DANFORTH STREET
PORTLAND, MAINE

DRAWING

NEW ONE LINE DIAGRAM AND
SWITCHBOARD ELEVATION

CWS PROJECT NUMBER: 21037

REVISIONS

1.	10/21/21 ADDENDUM
----	-------------------

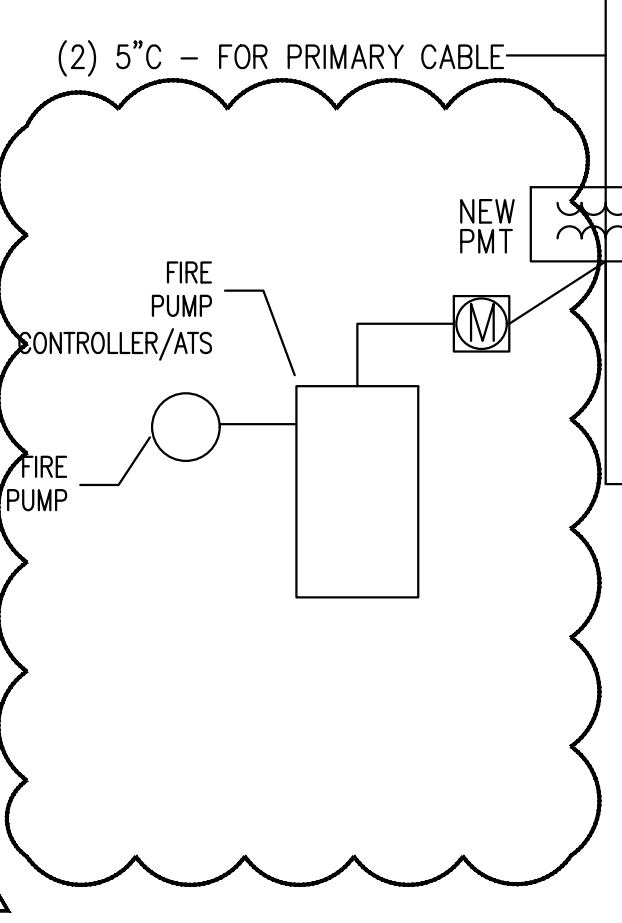
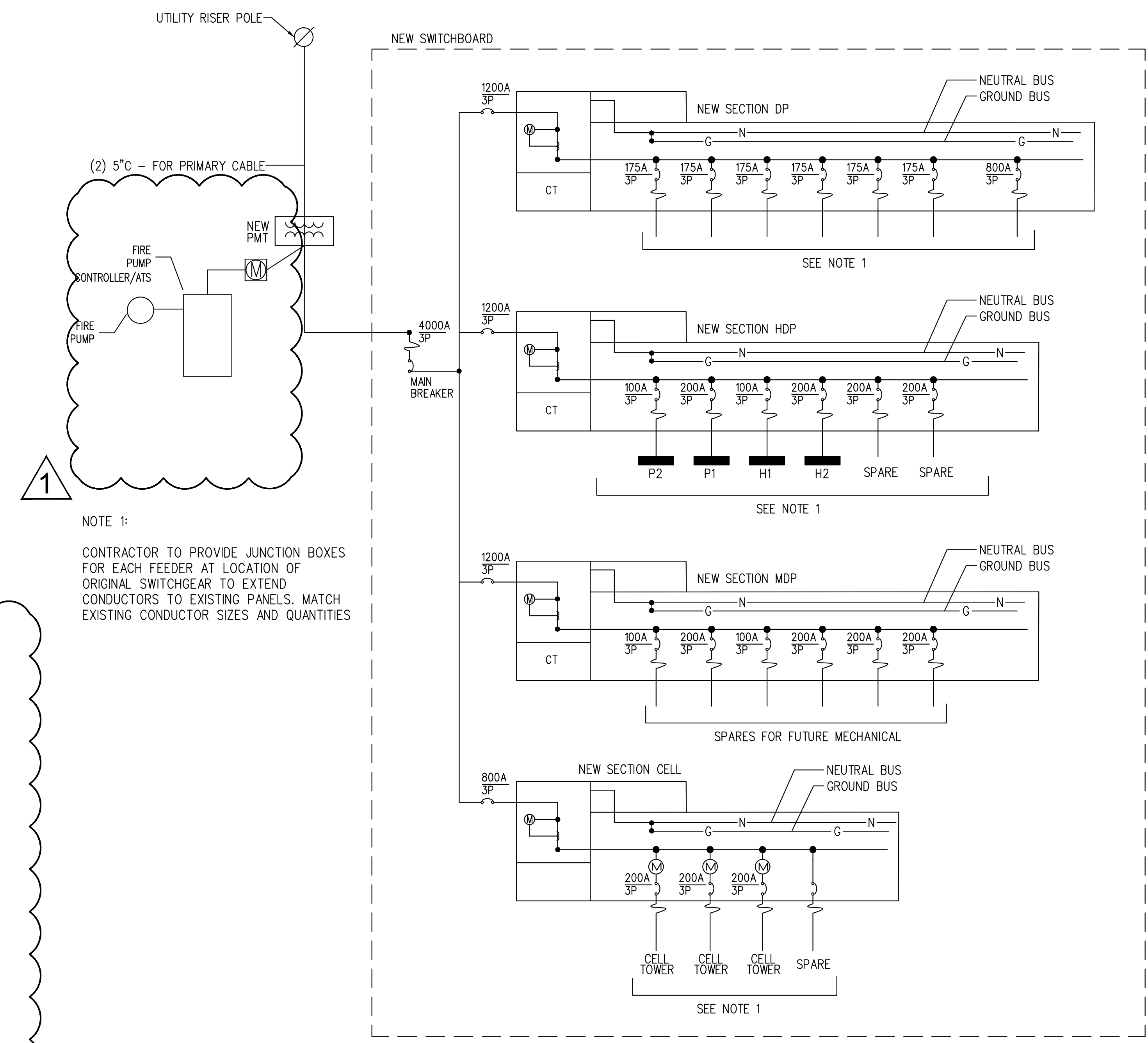
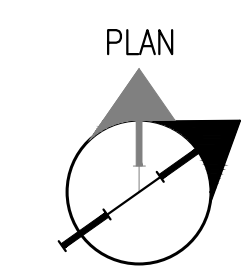
DRAWING NUMBER

ES0.1

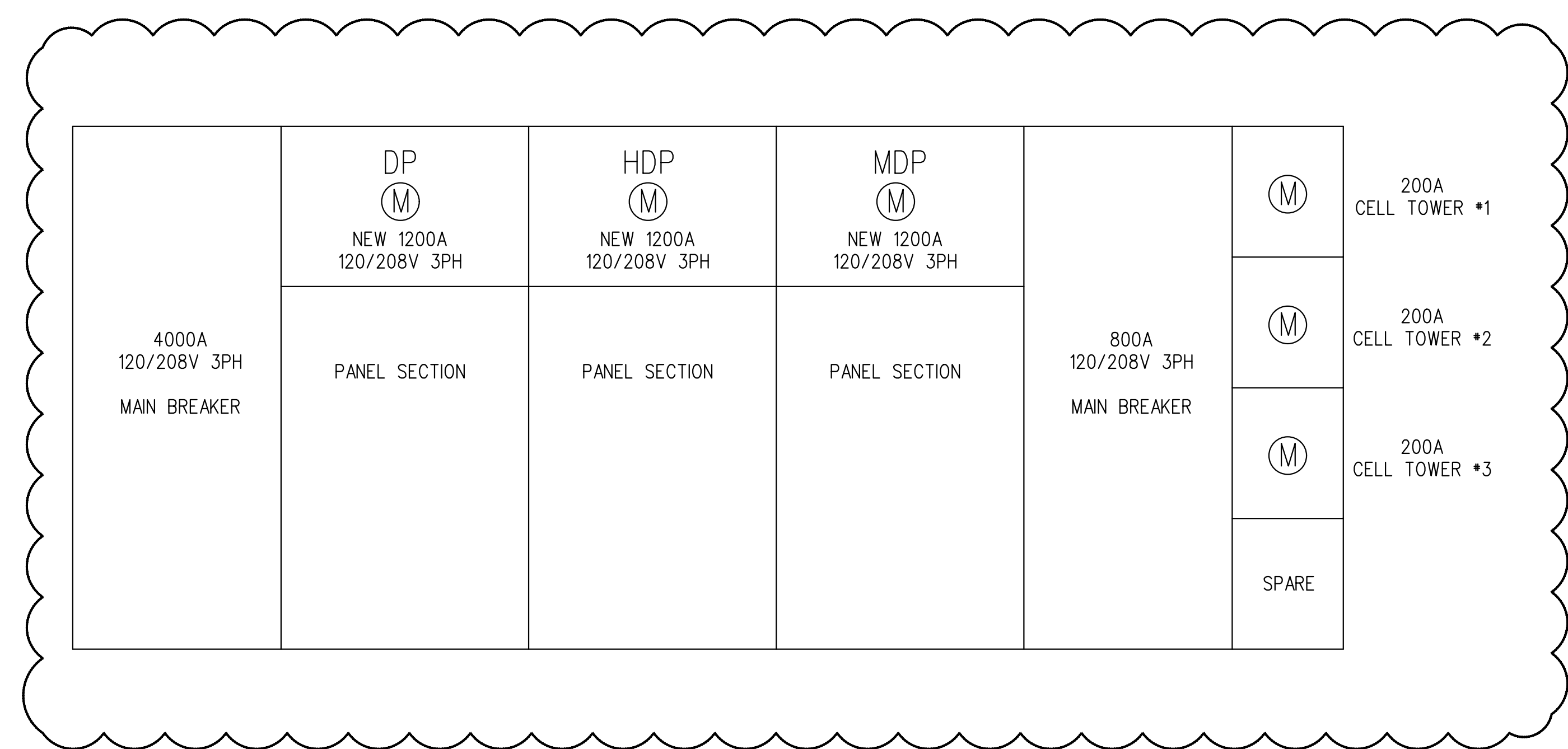
SCALE:

DATE: 08/23/2021

PROJECT NORTH



NOTE 1:
CONTRACTOR TO PROVIDE JUNCTION BOXES FOR EACH FEEDER AT LOCATION OF ORIGINAL SWITCHGEAR TO EXTEND CONDUCTORS TO EXISTING PANELS. MATCH EXISTING CONDUCTOR SIZES AND QUANTITIES



1 NEW SWITCHBOARD ELEVATION

ES1.0 SCALE: NONE

2 NEW ONE LINE DIAGRAM

ES1.0 SCALE: NONE

